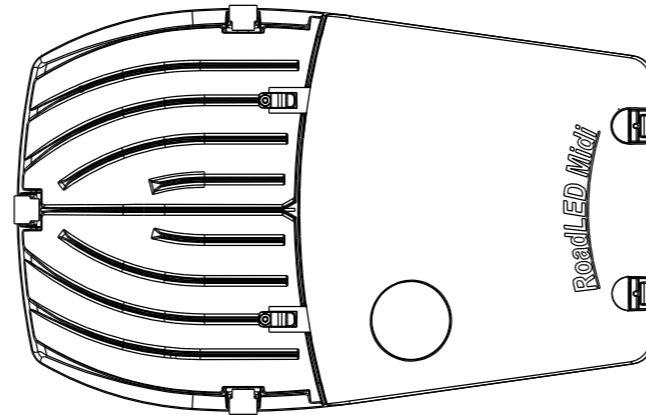
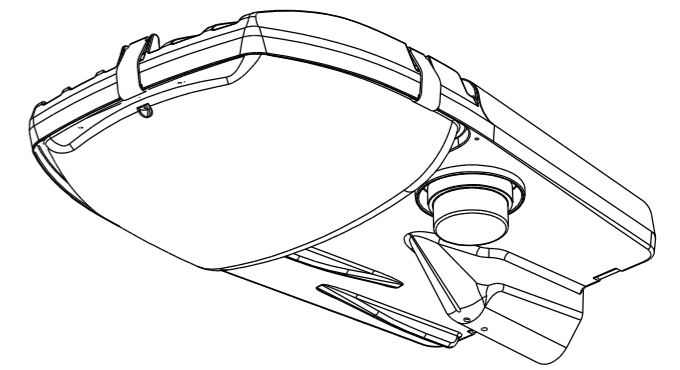


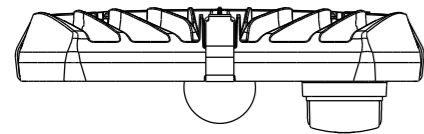
ISOMETRIC VIEW



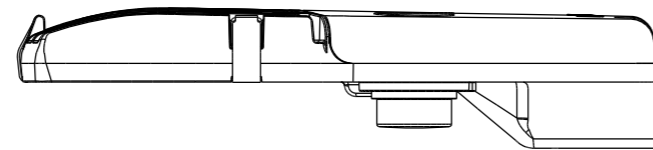
TOP VIEW



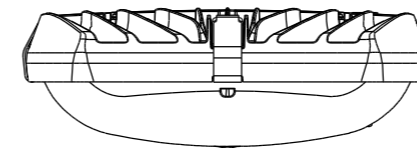
ISOMETRIC VIEW



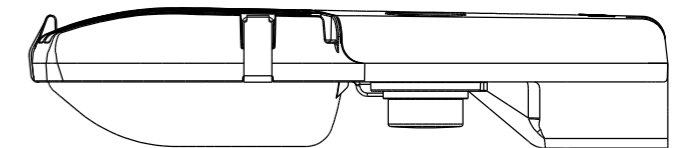
FRONT VIEW



SIDE VIEW



FRONT VIEW



SIDE VIEW

ITEM 1: AEROSCREEN VISOR LED STREETLIGHT

ITEM 2: SEMI CUT-OFF VISOR LED STREETLIGHT

NOTES:

1. MOUNTING ARRANGEMENT TO SUIT OUTREACH SPIGOTS SHOWN ON S03-01-01-10 & S03-01-01-13.
2. AEROSCREEN VISORS TO BE USED ON FLIGHTPATHS.
3. STREETLIGHTS TO COMPLY WITH STSP 03-001.
4. 70W LEDS TO REPLACE 100W & 150W HPS. 150W LEDS TO REPLACE 250W HPS.

ITEM REF.	ITEM NUMBER	DESCRIPTION
1	504317	LED STREETLIGHT 70W LUMINAIRE C/W AEROSCREEN VISOR WITH SHORTING CAP
	504344	LED STREETLIGHT 150W LUMINAIRE C/W AEROSCREEN VISOR WITH SHORTING CAP
2	504315	LED STREETLIGHT 70W LUMINAIRE C/W SEMI CUT-OFF VISOR WITH SHORTING CAP
	504319	LED STREETLIGHT 150W LUMINAIRE C/W SEMI CUT-OFF VISOR WITH SHORTING CAP
3	6908	REPLACEMENT 3 PIN PE CELL
4	503199	REPLACEMENT 3 PIN SHORTING CAP

						DES A. NATHAN		POWER STANDARD DRAWING	
						DRN A. NATHAN		MAJOR ROADS LED REPLACEMENT FOR 100W, 150W & 250W HPS	
						CKD A. NATHAN			
						APPD B. VANDERSTELT			
						SCALE NTS		A3	DRAWING NUMBER S03-01-04-16
						ISSUED SEP'21			
						ALL DIM. IN mm			
						DRAFTING STANDARD TO A.S.1100		CAD PRODUCT - DO NOT AMEND MANUALLY	
								AMDT	



NO	DESCRIPTION	DRN	DATE	CKD	APPD
0	ISSUED FOR CONSTRUCTION	A.N.	SEP'21	A.N.	B.V.
AMENDMENTS					