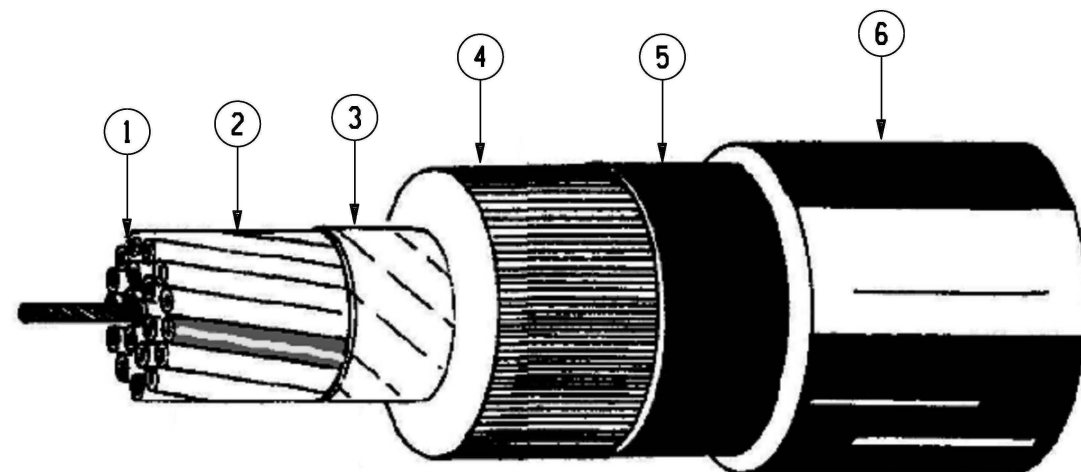


ITEM	UNITS	1	2	3	4	5	6	7	8	9	10	11
ITEM NUMBER	-	504518	502910	504519	501371	501372	504520	501367	504521	501355	504522	504523
CONDUCTOR AREA	SQ.mm	15	15	15	15	25	25	25	25	25	4	4
NO. OF CORES	-	4+E	8+E	12+E	20+E	2+E	4+E	8+E	12+E	20+E	2+E	4+E
INSULATION THICKNESS	mm	1.0	1.0	1.0	1.0	0.8	0.8	0.8	1.0	1.0	1.0	1.0
SHEATH THICKNESS	mm	1.8	1.8	1.8	1.8	1.8	1.8	1.8	1.8	1.8	1.8	1.8
NYLON JACKET THICKNESS	mm	0.4	0.4	0.4	0.4	0.4	0.4	0.4	0.4	0.4	0.4	0.4
OVERSHEATH THICKNESS	mm	0.6	0.6	0.6	0.6	0.6	0.6	0.6	0.6	0.6	0.6	0.6
INSULATION RATING	kV	0.6/1	0.6/1	0.6/1	0.6/1	0.6/1	0.6/1	0.6/1	0.6/1	0.6/1	0.6/1	0.6/1
CONDUCTOR STRANDING	n/mm	7/0.52	7/0.52	7/0.52	7/0.52	7/0.67	7/0.67	7/0.67	7/0.67	7/0.67	7/0.85	7/0.85
NOMINAL OVERALL DIAMETER	mm	17.5	21	23	27	15	17	21	25	30	17	20
NOMINAL LENGTH ON DRUM	m	500	500	500	500	500	500	500	500	500	500	500
MASS OF CABLE	kg/km	371	504	631	876	340	453	624	804	1129	415	586
BENDING RADIUS DURING INSTALL	mm	427	524	574	655	406	457	562	623	708	442	511
BENDING RADIUS INSTALLED	mm	256	314	344	393	244	274	337	374	425	265	307
DC RESISTANCE @ 20°C	OHM/km	13.6	13.6	13.6	13.6	7.41	7.41	7.41	7.41	7.41	4.61	4.61
AC RESISTANCE @ 50Hz, 90°C	OHM/km	17.3	17.3	17.3	17.3	9.45	9.45	9.45	9.45	9.45	5.88	5.88



ITEMS 1-11:  
MULTICORE + EARTH

NOTES:

- CORES TO BE NUMBERED CONSECUTIVELY WITH WRITTEN AND NUMERIC DESIGNATION ADJACENT AT A SPACING OF 100mm.
- THE CABLE LENGTH SHALL BE IMPRINTED ON THE OUTER SHEATH OF THE CABLE. THE CABLE MUST BE MARKED WITH CONSECUTIVE NUMBERS EVERY METRE FOR THE ENTIRE LENGTH OF THE CABLE SO THAT AS THE CABLE IS USED THE LENGTH REMAINING ON THE DRUM CAN BE EASILY READ ON THE CABLE OVERSHEATH.
- THE CABLE MUST CONFORM TO AS 5000.1 AND STSP 05-003.
- THE EARTH CONDUCTOR MUST BE SAME C.S.A. AS OTHER CONDUCTORS.

6	OVERSHEATH - PVC 4V-75 - BLACK
5	ANTI-TERMITE JACKET - EXTRUDED NYLON 11 OR 12 - BLACK
4	SHEATH - PVC 4V-75 - BLACK
3	BINDER - POLYETHYLENE TEREPHTHALATE TAPE
2	INSULATION - WHITE & GREEN/YELLOW PVC 5V-90 - NUMBERED
1	CONDUCTOR - COPPER C11000 '0'
TAG NUMBER	DESCRIPTION

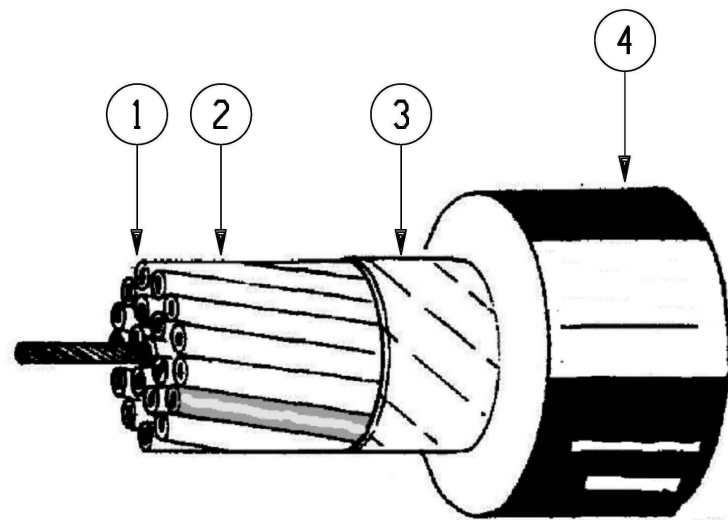
NO	DESCRIPTION	DRN	DATE	CKD	APPD
16	UPDATED TABLE FORMATTING, ADDED TECHNICAL DATA, TAGS, NOTE 4, & TITLE. REMOVED ITEMS 12, 13 & 14.	A.N.	FEB'22	B.V.	B.C.
15	UPDATED STRANDING, DIAMETERS, NOTE 3 & FORMATTING.	A.N.	NOV'20	C.C.C.	B.C.
14	UPDATE TABLES WITH NEW ITEMS, 2ND SHEET FOR MULTICORE WITHOUT TERMITE PROTECTION.	C.W.M.	APR'20	C.C.C.	B.C.
13	TITLEBLOCK & DRAWING NUMBER FORMATTED	K.T.	APR'19	C.C.	C.C.
12	TABLES ALTERED	-	JUL'95	-	-
11	ITEMS 5, 6, & 7 ADDED.	-	AUG'90	-	-
10	TITLE & DRAWING NUMBER CHANGED	-	MAY'88	-	-

**PowerWater**  
NORTHERN TERRITORY

DES	R.HAIGH	POWER STANDARD DRAWING	
DRN	E.S.TULLY	<b>CABLES</b> <b>COPPER - MULTI-CORE CONTROL</b> <b>0.6/1 kV - 5V-90/4V-75/NYL/4V-75</b> <b>(SHEET 1 OF 2)</b>	
CKD	-		
APPD	-		
SCALE	-		
ISSUED	6/11/85		
ALL DIM. IN mm	A3	DRAWING NUMBER	S02-01-01-15_1
DRAFTING STANDARD TO A.S.1100		CAD PRODUCT - DO NOT AMEND MANUALLY	



ITEM	UNITS	15	16	17	18	19	20	21	22	23	24	25
ITEM NUMBER	-	504524	504525	504526	504527	501357	504528	504529	501356	504530	504531	501344
CONDUCTOR AREA	SQ.mm	1.5	1.5	1.5	1.5	2.5	2.5	2.5	2.5	2.5	4	4
NO. OF CORES	-	4+E	8+E	12+E	20+E	2+E	4+E	8+E	12+E	20+E	2+E	4+E
INSULATION THICKNESS	mm	1.0	1.0	1.0	1.0	0.8	0.8	0.8	1.0	1.0	1.0	1.0
OVERSHEATH THICKNESS	mm	0.6	0.6	0.6	0.6	0.6	0.6	0.6	0.6	0.6	0.6	0.6
INSULATION RATING	kV	0.6/1	0.6/1	0.6/1	0.6/1	0.6/1	0.6/1	0.6/1	0.6/1	0.6/1	0.6/1	0.6/1
CONDUCTOR STRANDING	n/mm	7/0.52	7/0.52	7/0.52	7/0.52	7/0.67	7/0.67	7/0.67	7/0.67	7/0.67	7/0.85	7/0.85
NOMINAL OVERALL DIAMETER	mm	13.5	17	19.5	23	12.5	14	18.5	21	25	13	16
NOMINAL LENGTH ON DRUM	m	500	500	500	500	500	500	500	500	500	500	500
MASS OF CABLE	kg/km	238	337	446	656	215	310	443	595	889	227	424
BENDING RADIUS DURING INSTALL	mm	152	198	223	259	142	167	216	243	284	159	193
BENDING RADIUS INSTALLED	mm	102	132	148	173	95	111	144	162	189	106	128
DC RESISTANCE @ 20°C	OHM/km	13.6	13.6	13.6	13.6	7.41	7.41	7.41	7.41	7.41	4.61	4.61
AC RESISTANCE @ 50Hz, 90°C	OHM/km	17.3	17.3	17.3	17.3	9.45	9.45	9.45	9.45	9.45	5.88	5.88
MAX. PULLING TENSION WHEN PULLED BY EYE	N	520	940	1360	2200	520	870	1570	2270	3670	730	1290



ITEMS 15-25:  
MULTICORE + EARTH

NOTES:

- CORES TO BE NUMBERED CONSECUTIVELY WITH WRITTEN AND NUMERIC DESIGNATION ADJACENT AT A SPACING OF 100mm.
- THE CABLE LENGTH SHALL BE IMPRINTED ON THE OUTER SHEATH OF THE CABLE. THE CABLE MUST BE MARKED WITH CONSECUTIVE NUMBERS EVERY METRE FOR THE ENTIRE LENGTH OF THE CABLE SO THAT AS THE CABLE IS USED THE LENGTH REMAINING ON THE DRUM CAN BE EASILY READ ON THE CABLE OVERSHEATH.
- THE CABLE MUST CONFORM TO AS 5000.1 AND STSP 05-003.
- THE EARTH CONDUCTOR MUST BE SAME C.S.A. AS OTHER CONDUCTORS.

4	OVERSHEATH - PVC 4V-75 - BLACK
3	BINDER - POLYETHYLENE TEREPHTHALATE TAPE
2	INSULATION - WHITE & GREEN/YELLOW PVC 5V-90 - NUMBERED
1	CONDUCTOR - COPPER C11000 '0'
TAG NUMBER	DESCRIPTION

16	UPDATED TABLE FORMATTING, ADDED TECHNICAL DATA, TAG 4 & NOTE 4. RENUMBERED ITEMS. UPDATED TITLE.	A.N.	FEB'22	B.V.	B.C.
15	UPDATED STRANDING, DIAMETERS & NOTE 3, ADJUSTED FORMATTING.	A.N.	DEC'20	C.C.C.	B.C.
14	UPDATE TABLES WITH NEW ITEMS, 2ND SHEET FOR MULTICORE WITHOUT TERMITE PROTECTION	C.W.M.	APR'20	C.C.C.	B.C.
13	TITLEBLOCK & DRAWING NUMBER FORMATTED	K.T.	APR'19	C.C.	C.C.
12	TABLES ALTERED	-	JUL'95	-	-
11	ITEMS 19, 20, 21 ADDED	-	AUG'90	-	-
10	TITLE & DRAWING NUMBER CHANGED	-	MAY'88	-	-
NO	DESCRIPTION	DRN	DATE	CKD	APPD
AMENDMENTS					

**PowerWater**  
NORTHERN TERRITORY

DES	C.W.M.	POWER STANDARD DRAWING		
DRN	C.C.C.	CABLES COPPER - MULTI-CORE CONTROL 0.6/1 kV - 5V-90/4V-75 (SHEET 2 OF 2)		
CKD	C.C.C.			
APPD	B.C.			
SCALE	-			
ISSUED	17/04/2020	A3	DRAWING NUMBER	S02-01-01-15_2
ALL DIM. IN mm				
DRAFTING STANDARD TO A.S.1100		CAD PRODUCT - DO NOT AMEND MANUALLY		AMD