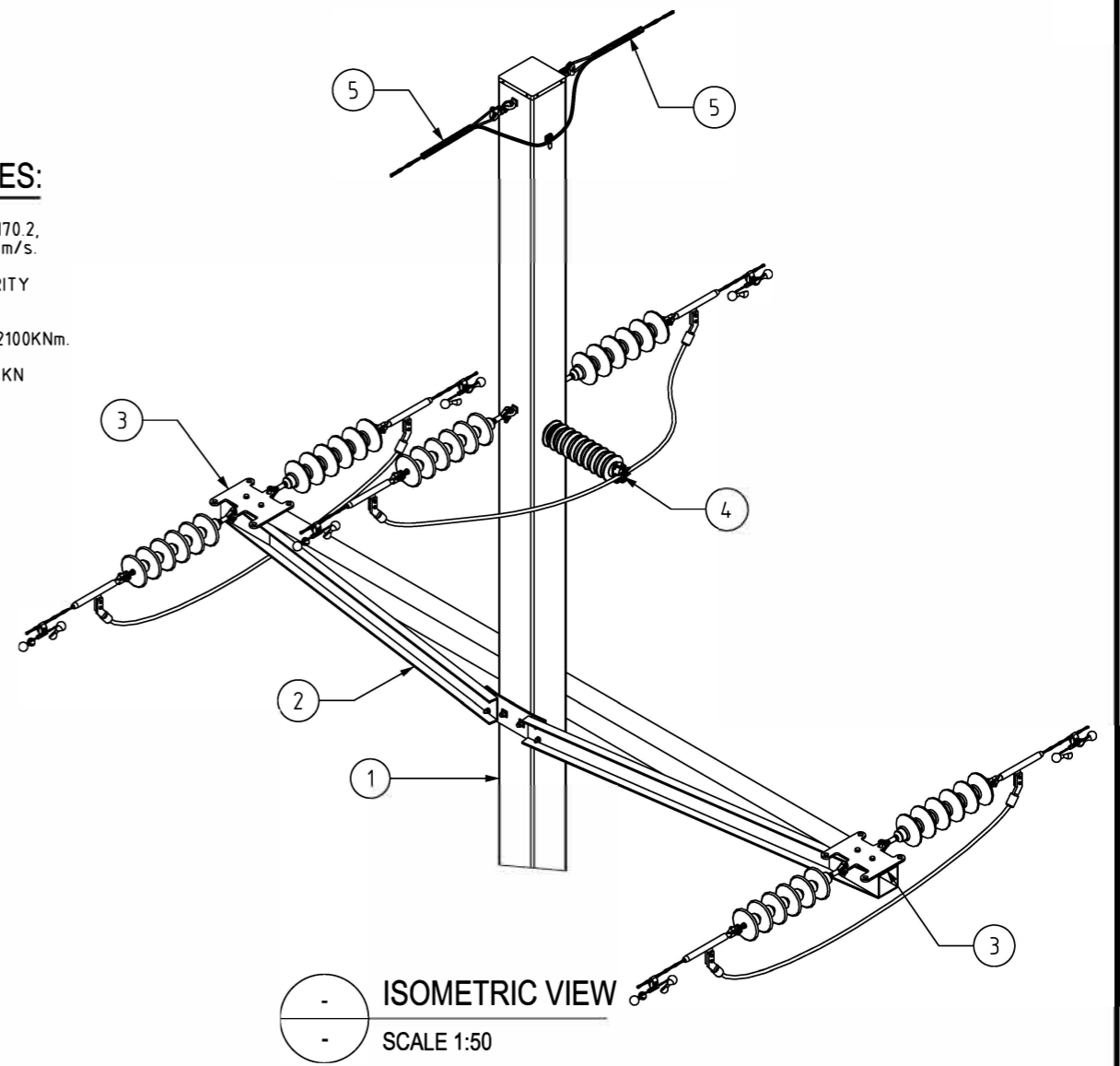


**FRONT ELEVATION**  
SCALE 1:100

**SIDE ELEVATION**  
SCALE 1:100

**STRUCTURAL DESIGN NOTES:**

1. WIND LOADS IN ACCORDANCE WITH AS1170.2, WIND REGION C, DESIGN WIND SPEED 64m/s.
2. AS7000 DESIGN LIFE 100 YEARS, SECURITY LEVEL 2.
3. MAXIMUM MOMENT AT GROUND LEVEL 2100KNm.
4. POLE TIP DEFLECTION 717mm WITH 74.4KN TIP LOAD.



**ISOMETRIC VIEW**  
SCALE 1:50

5	2	DEAD END WRAP ARRANGEMENT	-	
4	1	STRAIN INSULATOR & POST TOP INSULATOR ARRANGEMENT	-	
3	2	DOUBLE INSULATOR ARRANGEMENT	-	
2	1	DOUBLE STRAINCROSS CROSSARM ASSEMBLY	-	
1	1	20.3m 2 PIECE POLE	-	-
ITEM NO.	QTY	DESCRIPTION	ITEM NUMBER	DRG No.

NO	DESCRIPTION	DRN	DATE	CKD	APPD
AMENDMENTS					



DES
DRN
CKD
APPD
SCALE
ISSUED
ALL DIM. IN mm
DRAFTING STANDARD TO A.S.1100

Example drawing 003 - SHS strain single circuit 66kV  
- June 2024

DRAWING NUMBER D2024/247474

CAD PRODUCT - DO NOT AMEND MANUALLY

