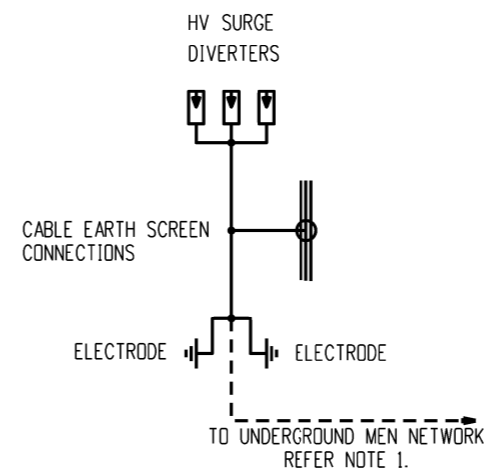


**NOTES**

1. A SEPARATE BARE 70SQMM COPPER CABLE SHALL CONNECT THE POLE TO THE UNDERGROUND MEN NETWORK. THE CABLE SHALL BE INSULATED WHEN PASSING THROUGH ANY CONCRETE FOUNDATION AND SHALL HAVE DESTINATION TAGS ATTACHED.
2. COMBINED EARTH ELECTRODES AND POLE FOOTING EARTH RESISTANCE SHALL BE NO GREATER THAN 30 WHEN ALL EXTERNAL HV AND LV M.E.N. CONNECTIONS ARE REMOVED.
3. COMBINED EARTH GRID RESISTANCE SHALL BE LESS THAN 10 WHEN ALL CMEN CONNECTIONS ARE MADE.
4. YELLOW/GREEN INSULATED CABLE FROM THE SURGE ARRESTOR CROSSARM SHALL CONNECT TO THE POLE VIA THE NEAREST EARTH ATTACHMENT HOLE USING ITEM 6 & 7.
5. REFER TO S01-02-03-11, S01-02-03-12 OR S01-02-03-13 FOR UNDERGROUND ELECTRODE EARTHING ARRANGEMENTS.
6. ALL SURGE ARRESTORS SHALL HALT EARTHING TERMINALS INSTALLED. REFER S01-01-05-03 ITEM 2 (DO NOT INSTALL BIRD CAPS)
7. 70SQM YELLOW/GREEN PVP INSULATED COPPER CABLE SHALL BE USED TO BOND BETWEEN ADJACENT SURGE DIVERTER OUTPUTS AND TO THE POLE EARTH CONNECTION AS TO CREATE A DIRECT CABLE CONNECTION FROM THE SURGE DIVERTERS TO THE POLE.

ITEM	QTY.	DESCRIPTION	ITEM NUMBER	DRG No.
8	3	EARTHING TERMINAL FOR PORTABLE EARTH	402089	S01-01-05-03
7	1	M12 FLAT WASHER	400832	S01-01-04-43
6	1	M12x40 BOLT & NUT FOR POLE EARTH ATTACHMENT	503669	S01-01-04-43
5	1	WASHER, SPRING, M10.	114314	S01-01-04-43
4	1	WASHER, FLAT, M10.	113977	S01-01-04-43
3	1	BOLT M10 x 30 C/W NUT	114405	S01-01-04-43
2	1	LUGS FOR 70SQMM COPPER CABLES	5512	-
1	AR	70SQmm YELLOW/GREEN PVC INSULATED COPPER CABLE	401059	S02-01-01-23



**SINGLE LINE DIAGRAM**

NO	DESCRIPTION	DRN	DATE	CKD	APPD
4	ADD NOTE 6 REGARDING EARTHING TERMINALS	C.C.	NOV'19	B.C.	B.V.
3	TITLEBLOCK & DRAWING NUMBERS FORMATTED	K.T.	JAN'19	C.C.	C.C.
2	ITEM 8 ADDED	A.T.	NOV'16	I.B.	B.C.
1	NOTE 4 AMENDED, ITEM 6 & 7 ADDED	K.T.	JUN'16	I.B.	B.C.
0	ISSUED FOR CONSTRUCTION	C.C.	AUG'12	A.T.	B.C.



DES		POWER STANDARD DRAWING	
DES	A.TAYLOR	EARTHING HV - CABLE TERMINATION POLE BOLTED POLE CONSTRUCTION	
DRN	C.COPPINS	A3	DRAWING NUMBER S01-02-03-24
CKD	A.TAYLOR	SCALE N.T.S.	
APPD	B.CHEUNG	ISSUED AUGUST 2012	
SCALE N.T.S.		DRAFTING STANDARD TO A.S.1100	
ALL DIM. IN mm		CAD PRODUCT - DO NOT AMEND MANUALLY	

