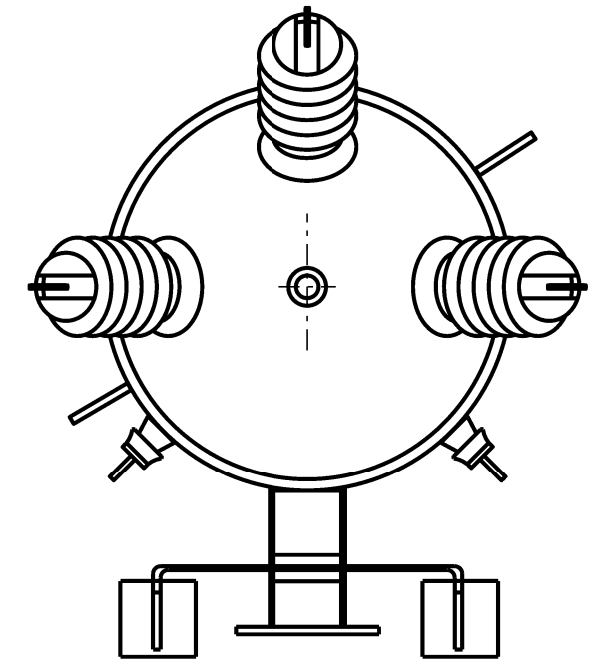


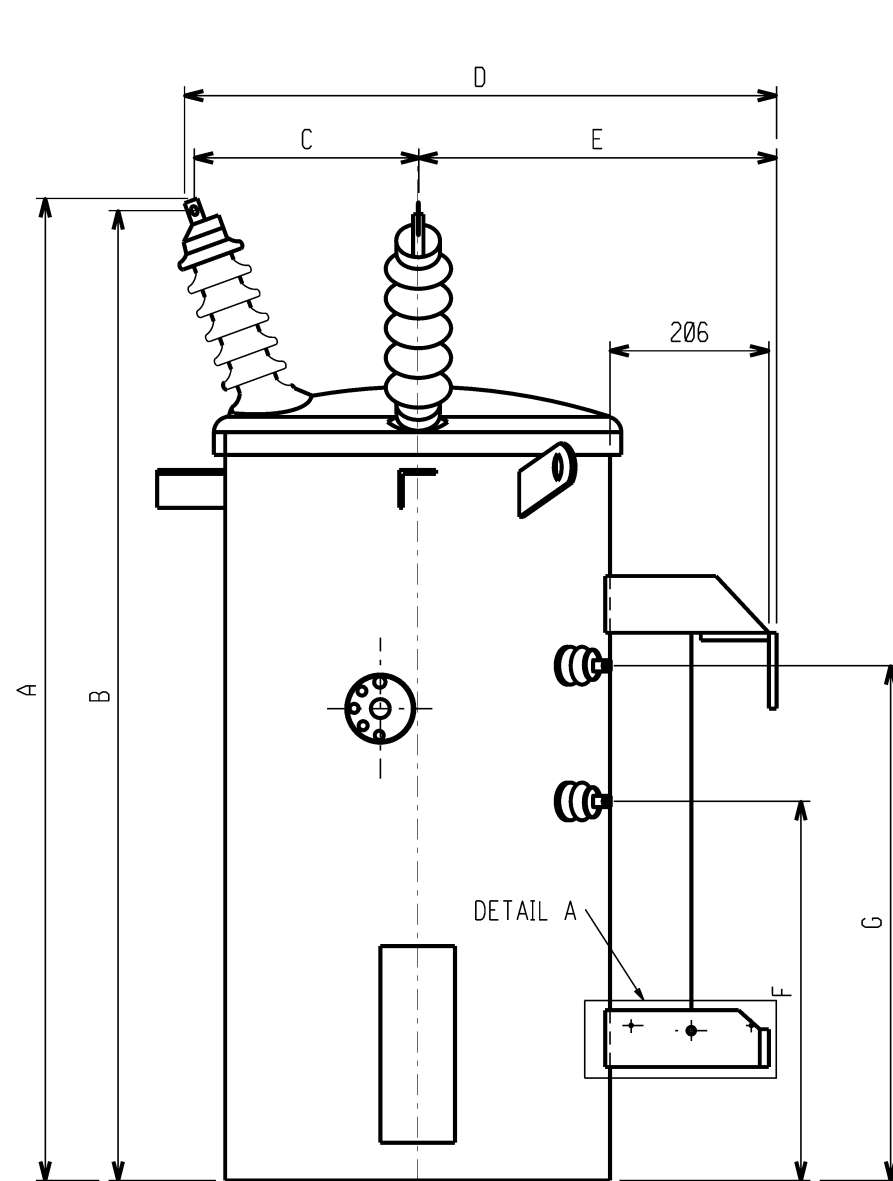
DETAIL A

NOTES :

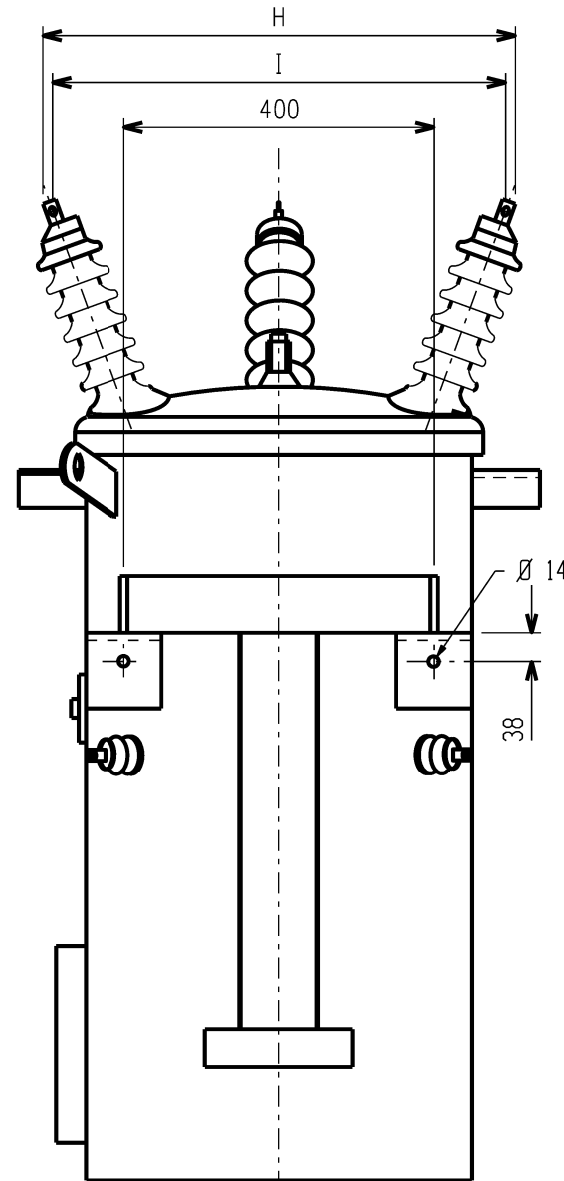
1. ALL DIMENSIONS ARE NOMINAL AND SUBJECT TO WORKING TOLERANCES
2. NOTE ITEM NUMBER SHOWN REFER TO BOTH ROUND AND SQUARE TRANSFORMER TYPES OF THE SAME RATING
3. T-T-30 EQUIVALENT TO Dyn1
4. REFER TO POWER AND WATER SPECIFICATION STSP 01-006



PLAN VIEW



ELEVATION A



ELEVATION B

TABLE 1

ITEM TYPE	ITEM NUMBER		DIMENSIONS								
	REFURBISHED	NEW	A	B	C	D	E	F	G	H	I
11kV, 25kVA		172718			291	806	485			668	669
11kV, 50kVA	172981	412491	1349	1325	291	806	485	672	812	668	619
22kV, 25kVA	173104	172841	1303	1280	322	829	-	672	812	728	681
22kV, 50kVA	173112	413079	1403	1380	322	829	483	746	886	728	681

TABLE 2

ITEM TYPE	No PHASE	H.V. AMPERES	L.V. AMPERES	VECTOR GROUP
11kV, 25kVA	3	1.31	36.1	T-T-30° or Dyn1
11kV, 50kVA	3	2.62	72.2	T-T-30° or Dyn1
22kV, 25kVA	3	0.66	36.1	T-T-30° or Dyn1
22kV, 50kVA	3	1.31	72.2	T-T-30° or Dyn1

NO	DESCRIPTION	DRN	DATE	CKD	APPD
6	LV LEVELS UPDATED	J.R.	OCT'24	J.R.	B.C.
5	ADDED NOTE 4. UPDATED TITLE AND TABLE 2 VOLTAGES, CURRENTS & VECTOR GROUPS	A.N.	NOV'20	B.V.	B.C.
4	TITLEBLOCK & DRAWING NUMBER FORMATTED	K.T.	DEC'18	C.C.	C.C.
3	ITEM NUMBER UPDATED	P.H.	APR'18	I.B.	B.C.
2	RENUMBERED FROM S01-02-06-09	K.T.	APR'16	I.B.	B.C.
1	RENUMBERED S01-01-09-03 11KV 25KVA TX ADDED	C.C.	JAN.11	A.T.	S.C.



DES	F.NUNN	POWER STANDARD DRAWING	
DRN	J.LIVESLEY	TRANSFORMERS 11kV OR 22kV / 433V ROUND TRANSFORMER	
CKD	S.MANSFIELD		
APPD	P.DEWAR	A3	DRAWING NUMBER S01-01-09-07
SCALE	1 : 10		
ISSUED	MAR'95	DRAFTING STANDARD TO A.S.1100	CAD PRODUCT - DO NOT AMEND MANUALLY
ALL DIM.	IN mm		

