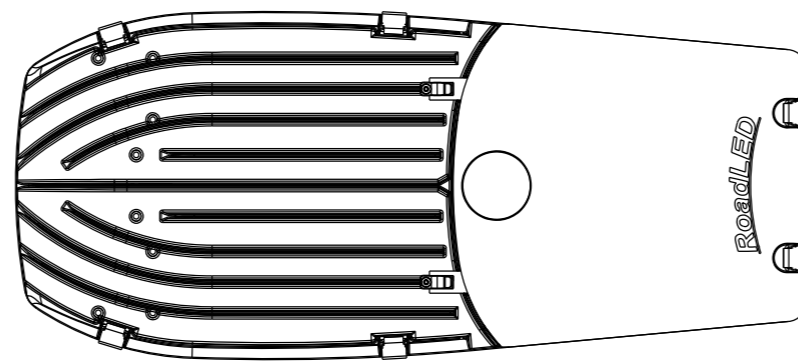
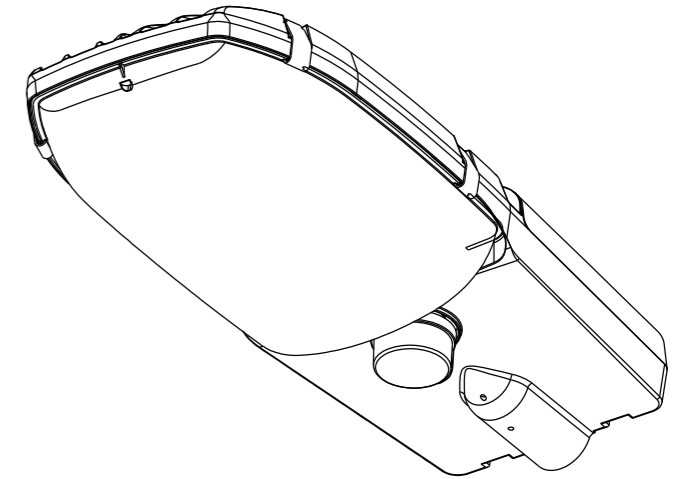


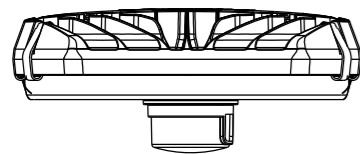
ISOMETRIC VIEW



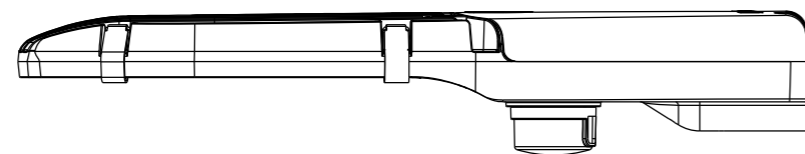
TOP VIEW



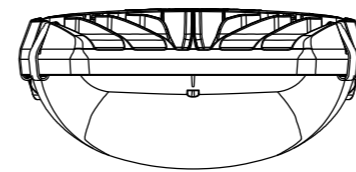
ISOMETRIC VIEW



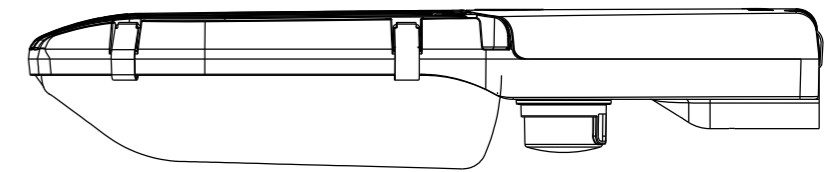
FRONT VIEW



SIDE VIEW



FRONT VIEW



SIDE VIEW

ITEM 1: 275W AEROSCREEN VISOR LED STREETLIGHT

ITEM 2: 275W SEMI CUT-OFF VISOR LED STREETLIGHT

NOTES:

1. MOUNTING ARRANGEMENT TO SUIT OUTREACH SPIGOTS SHOWN ON S03-01-01-13
2. AEROSCREEN VISORS TO BE USED ON FLIGHTPATHS.
3. STREETLIGHTS TO COMPLY WITH STSP 03-001

ITEM REF.	ITEM NUMBER	DESCRIPTION
1	504313	LED STREETLIGHT 275W LUMINAIRE C/W AEROSCREEN VISOR WITH SHORTING CAP
2	504311	LED STREETLIGHT 275W LUMINAIRE C/W SEMI CUT-OFF VISOR WITH SHORTING CAP
3	6908	REPLACEMENT 3 PIN PE CELL
4	503199	REPLACEMENT 3 PIN SHORTING CAP

						DES A. NATHAN		POWER STANDARD DRAWING	
						DRN A. NATHAN		MAJOR ROADS LED REPLACEMENT FOR 400W HPS	
						CKD A. NATHAN			
						APPD B. VANDERSTELT			
						SCALE NTS		A3	DRAWING NUMBER S03-01-04-15
						ISSUED SEP'21			
						ALL DIM. IN mm		DRAFTING STANDARD TO A.S.1100	
						CAD PRODUCT - DO NOT AMEND MANUALLY		AMDT	



NO	DESCRIPTION	DRN	DATE	CKD	APPD
0	ISSUED FOR CONSTRUCTION	A.N.	SEP'21	A.N.	B.V.
AMENDMENTS					