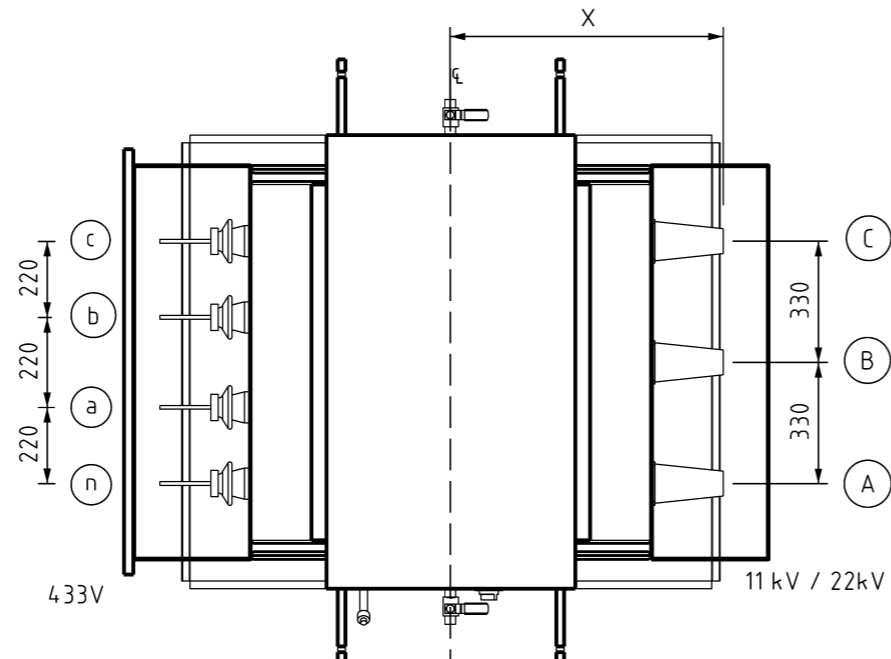


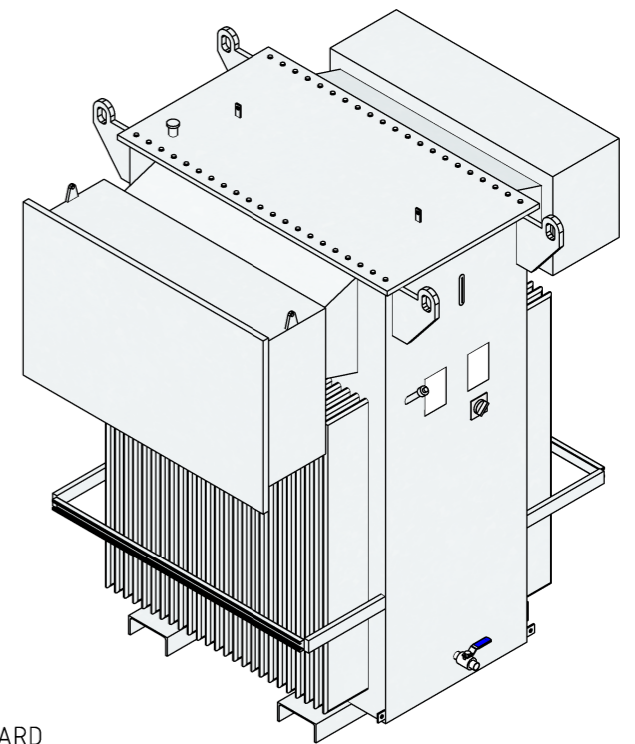
PLAN VIEW

N.T.S.



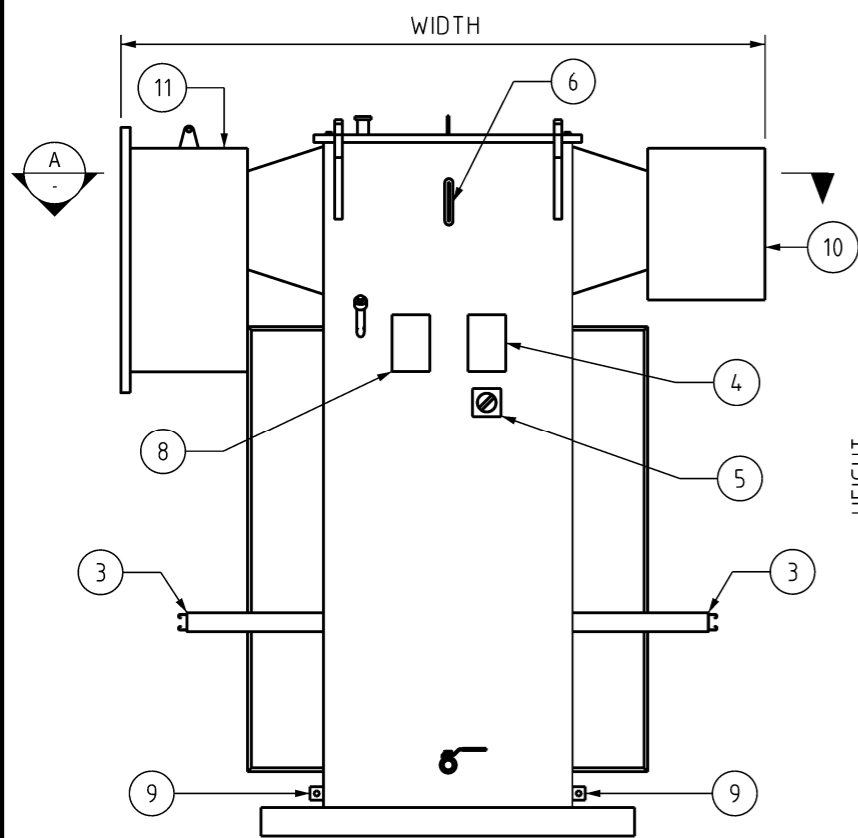
SECTION VIEW

N.T.S.



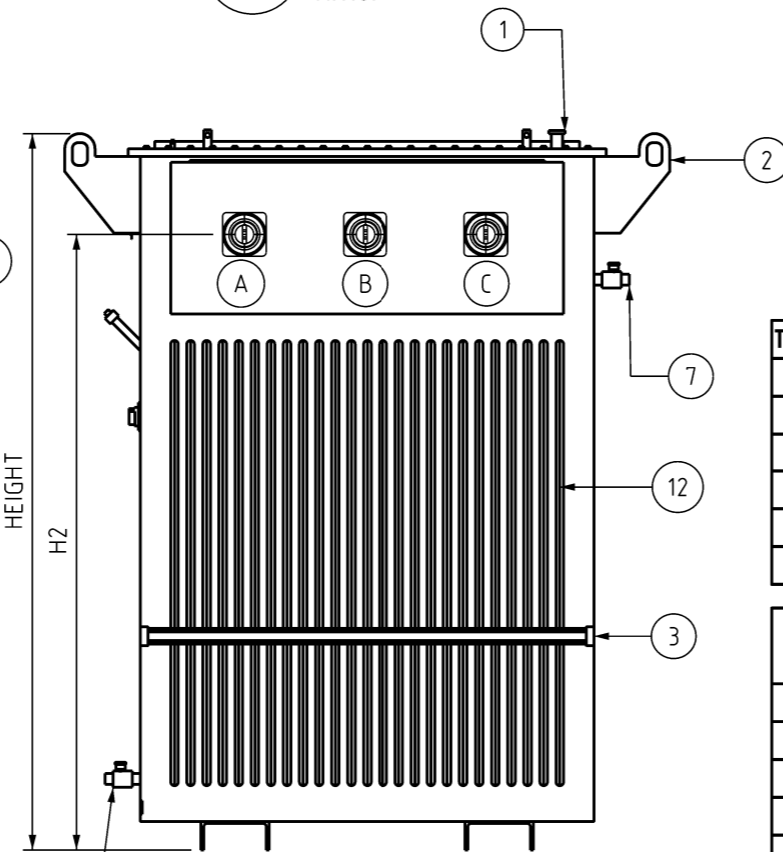
ISOMETRIC VIEW

N.T.S.



FRONT ELEVATION

N.T.S.



SIDE ELEVATION

N.T.S.

NOTES:

1. TRANSFORMER MUST COMPLY WITH PWC STANDARD TECHNICAL SPECIFICATION STSP 02-007.
2. HV CABLE BOX AND LV TERMINAL COVER TO BE REVERSIBLE.
3. VECTOR GROUPING TO BE Dyn1.
4. 7 HV WINDING TAPS SHALL BE PROVIDED +10% to -5% IN STEPS OF 2.5%.
5. DIMENSION 'X' REFERS TO THE DISTANCE FROM EXTREMITY OF HV TERMINAL TO CENTERLINE

TAG No	DESCRIPTION	TAG No	DESCRIPTION
1	FILLER SPOUT c/w GASKETED FLANGE PLUG	7	DRAIN VALVE 25mm c/w GASKETED FLANGE PLUG
2	LIFTING LUG	8	NUMBER PLATE BRACKET
3	CABLE SUPPORT UNISTRUT P3300-GALVANISED	9	EARTH STUD
4	NAME PLATE	10	LV BUSHING COVER
5	TAP SELECTOR	11	HV CABLE BOX c/w BRASS GLAND PLATE
6	FLUSH TYPE OIL GUAGE	12	COOLING FINs

ITEM	SIZE	VOLTAGE		ITEM NUMBER	HEIGHT	WIDTH	LENGTH	X	H2	MASS
		PRIM	SEC							
1	500kVA	11kV	433V	503678	1647	1594	1314	623	1329	2405
2	750kVA	11kV	433V	503680	1677	1704	1504	678	1359	3313
3	1000kVA	11kV	433V	503681	1947	1709	1514	680	1629	4055
4	1500kVA	11kV	433V	503679	2247	1749	1794	700	1929	5176
5	500kVA	22kV	433V	503675	1535	1572	1326	610	1236	2500
6	750kVA	22kV	433V	503676	1671	1708	1549	678	1325	3465
7	1000kVA	22kV	433V	503677	1947	1733	1590	690	1629	3955
8	1500kVA	22kV	433V	503541	2247	1809	1794	730	1929	5714

4	LV LEVELS UPDATED. NOTE 5 AMENDED.	J.R.	OCT'24	J.R.	B.C.
3	UPDATED SECONDARY VOLTAGES TO 400V, UPDATED STANDARD SPECIFICATION TO STSP 02-007, ADDED ADDITIONAL DIMENSIONS & UPDATED NOTE 4 & 5	P.BH.	JUL'23	B.C.	B.V.
2	INCLUDE ADDITIONAL DIMENSIONS	A.N.	SEP'20	C.C.C.	B.C.
1	ISSUED FOR CONSTRUCTION	C.C.	MAR'19	B.C.	B.V.
0		A.B.	JUN'17	A.T.	B.C.

NO	DESCRIPTION	DRN	DATE	CKD	APPD
AMENDMENTS					

J.R.	OCT'24	J.R.	B.C.
P.BH.	JUL'23	B.C.	B.V.
A.N.	SEP'20	C.C.C.	B.C.
C.C.	MAR'19	B.C.	B.V.
A.B.	JUN'17	A.T.	B.C.



POWER STANDARD DRAWING			
DES	A.BRUMMITT	TRANSFORMERS, SMALL FOOTPRINT, 11kV & 22kV - PLATFORM - INDOOR 500, 750, 1000 AND 1500kVA	
DRN	A.BRUMMITT	A3	DRAWING NUMBER S02-01-06-10
CKD	A.TAYLOR		
APPD	B.CHEUNG	CAD PRODUCT - DO NOT AMEND MANUALLY	
SCALE	N.T.S.		
ISSUED	JUNE 2017	AMDT	
ALL DIM. IN mm			
DRAFTING STANDARD TO A.S.1100			