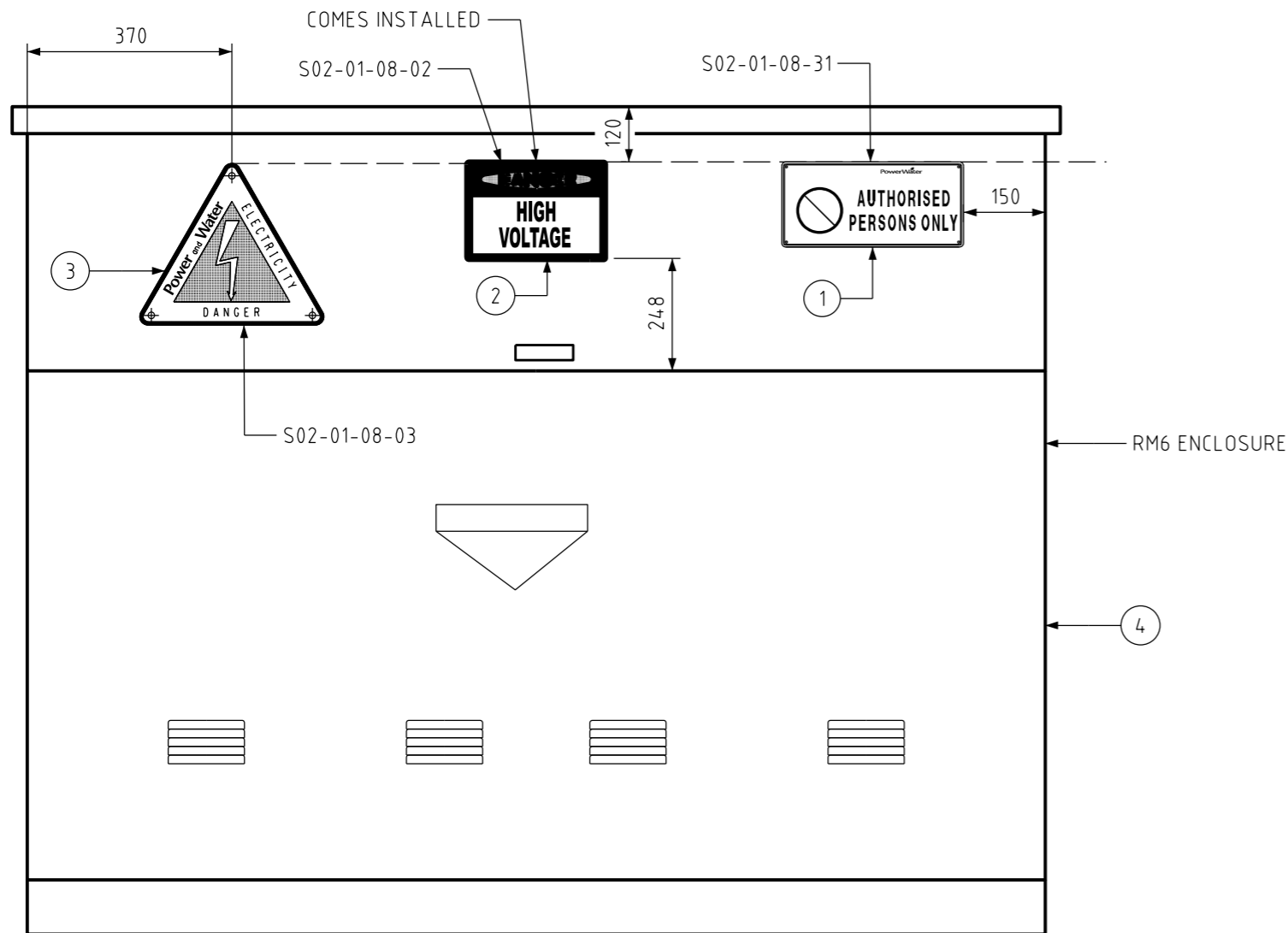


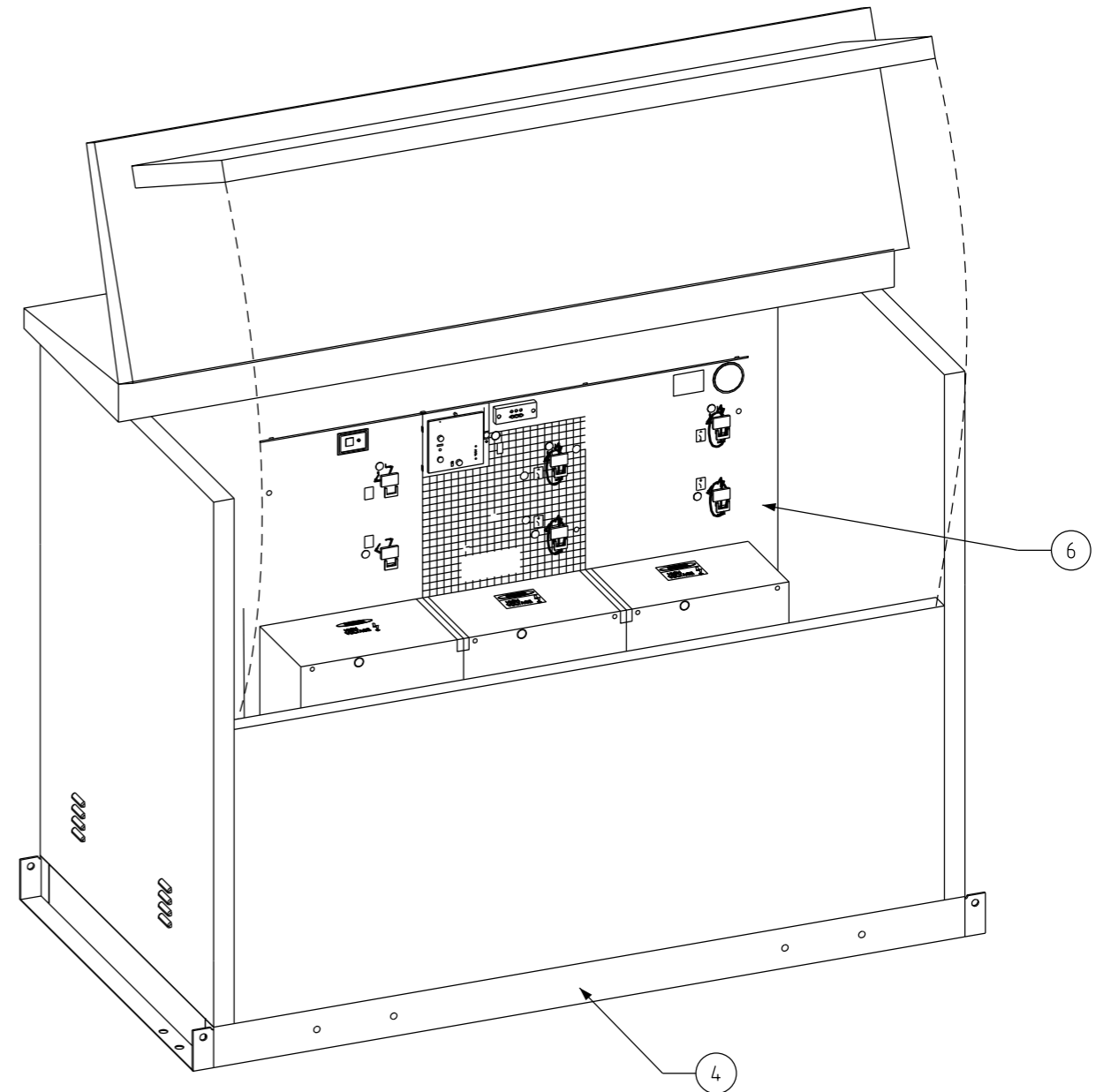
NOTES:

1. ALL RM6 ENCLOSURES MUST BE SUITABLE FOR 4 WAY RMU'S.
2. ALL RMU ENCLOSURES MUST BE BOLTED TO THE RMU FOUNDATION. REFER TO S02-02-06-23 FOR 4 WAY RMU FOUNDATION.
3. ALL RMU ENCLOSURES MUST HAVE ONE LOCKING GAS STRUT, ITEM NUMBER 413339.
4. REFER TO S02-01-04-24 FOR RM6 DETAILS.



RM6 SAFETY SIGN LAYOUT FRONT VIEW

SCALE N.T.S.



ITEM	QTY	DESCRIPTION	ITEM NUMBER	DWG No.
10	1	IID1 RM6 IN ENCLOSURE	503659	-
9	1	IIII RM6 IN ENCLOSURE	502394	-
8	1	IDI RM6 IN ENCLOSURE	503657	-
7	1	III RM6 IN ENCLOSURE	502392	-
6	1	RM6 RING MAIN UNIT	-	S02-01-04-24
5	1 MIN	GAS STRUT WITH LOCKING MECHANISM	413339	-
4	1	4-WAY RM6 RING MAIN UNIT ENCLOSURE WITHOUT RMU	288142	-
3	1	SIGN, DANGER ELECTRICITY, 250MM HIGH	6486	S02-01-08-03
2	1	SIGN, DANGER HIGH VOLTAGE, COMES INSTALLED	6429	S02-01-08-01
1	1	SIGN, PROHIBITION	406856	S02-01-08-31

MATERIAL SCHEDULE

NO	DESCRIPTION	DRN	DATE	CKD	APPD
4	UPDATED ITEMS 1 & 2, AND TITLE	A.N.	JAN'22	B.V.	B.C.
3	UPDATE FRAME & DRAWING NUMBERS	C.C.	APR'20	B.V.	B.V.
2	ITEMS 8 AND 10 UPDATED TO VIP45 RELAY	A.T.	MAY'16	I.B.	B.C.
1	ITEMS 7-10 ADDED	A.T.	JUN'14	B.C.	B.C.
0	ISSUED FOR CONSTRUCTION	J.C.	AUG'11	A.T.	B.C.



DES	A.T.	POWER STANDARD DRAWING		
DRN	J.C.	SWITCHGEAR		
CKD	B.C.	RM6 4-WAY		
APPD	S.C.	RING MAIN UNIT		
SCALE	N.T.S.	ENCLOSURE		
ISSUED	AUG 2011	A3	DRAWING NUMBER	S02-01-04-19
ALL DIM. IN mm				
DRAFTING STANDARD TO A.S.1100		CAD PRODUCT - DO NOT AMEND MANUALLY		AMDT