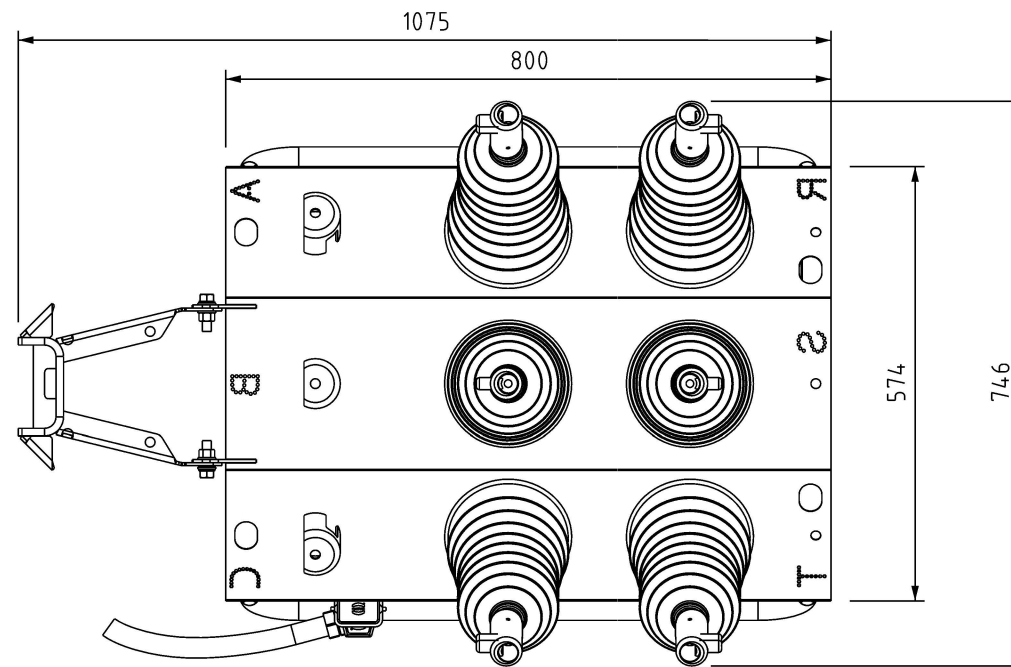
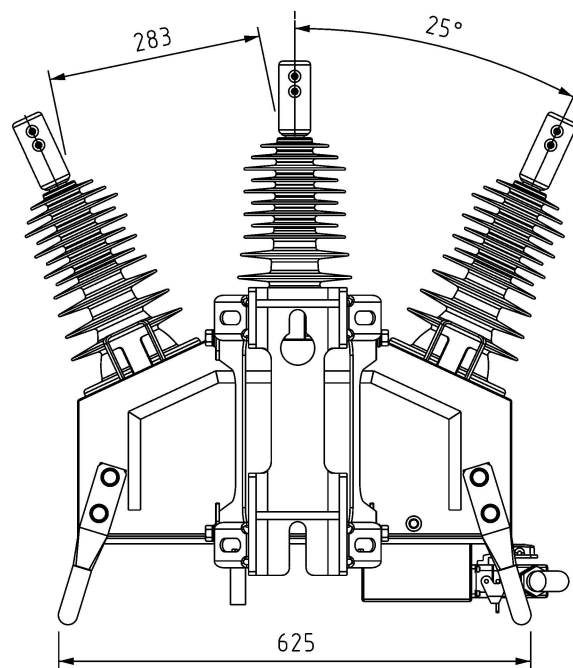


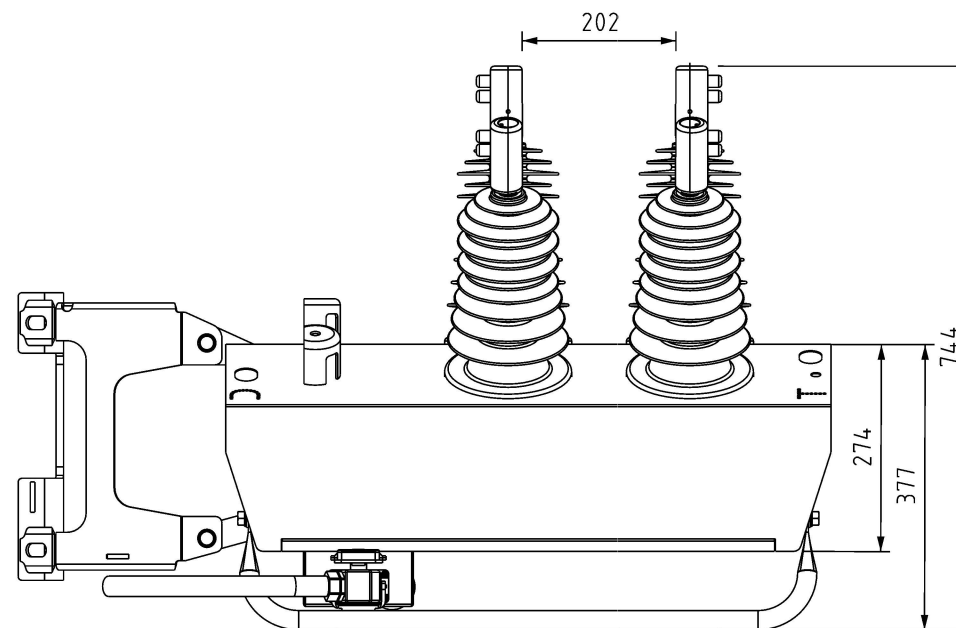
ISOMETRIC VIEW



TOP VIEW



LEFT END VIEW



SIDE VIEW

NOTES:

1. TO COMPLY WITH PWC SPECIFICATION STSP 01-008 GAS AUTOMATIC CIRCUIT RECLOSER FOR USE ON THE POWER NETWORK.
2. REFER TO STANDARD DRAWING S01-02-07-12 FOR INSTALLATION DETAILS.
3. RECLOSER IS NOT TO BE USED AS AN ISOLATION DEVICE.
4. RECLOSER IS RATED FOR BOTH 11kV and 22kV NETWORKS

- NOJA OSM27 3 PHASE RECLOSER WITH MOUNTING BRACKET
- N.T.S.
- ITEM NUMBER: 501806

0	ISSUED FOR CONSTRUCTION	P.BH	AUG'23	B.V.	B.C.
NO	DESCRIPTION	DRN	DATE	CKD	APPD
AMENDMENTS					



DES	B.VANDERSTELT	POWER STANDARD DRAWING		
DRN	P.BHATTARAI	SWITCHGEAR NOJA OSM27 3 PHASE RECLOSER GENERAL ARRANGEMENT WITH MOUNTING BRACKET		
CKD	B.VANDERSTELT			
APPD	B.CHEUNG			
SCALE	AS SHOWN	A3	DRAWING NUMBER	S01-01-06-21
ISSUED	AUG'23			
ALL DIM. IN	mm	CAD PRODUCT - DO NOT AMEND MANUALLY		AMDT