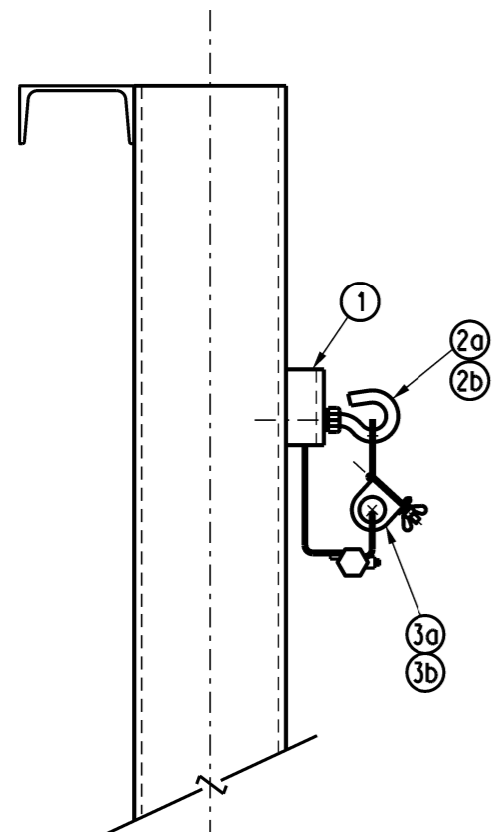
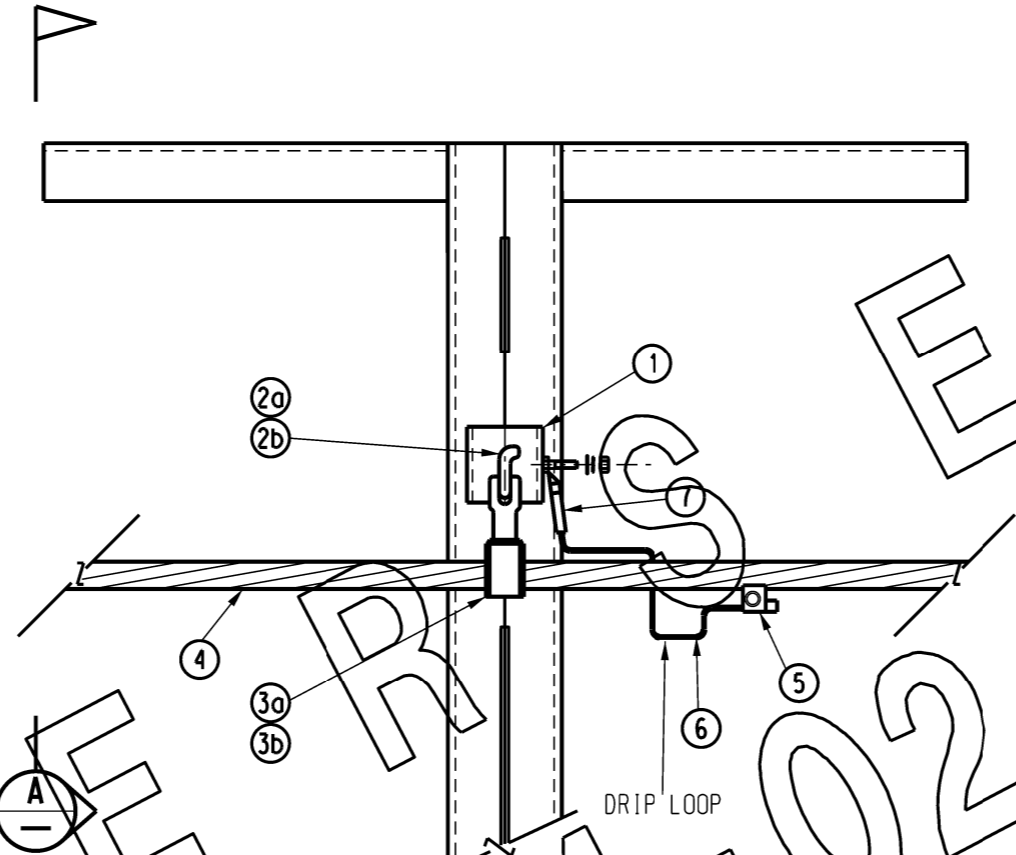


3RD ANGLE -DO NOT SCALE - REPORT ANY ERRORS, OMISSIONS TO DRAFTING OFFICE



VIEW A  
SCALE 1:10



ELEVATION  
SCALE 1:10

NOTES

1. NEUTRAL TO BE BONDED ON EVERY POLE.
2. COPPER NEUTRAL BOND TO BE FITTED BELOW ALUMINIUM CONDUCTORS.
3. FOR CORRECT APPLICATION OF HOOK BOLTS REFER DRG S04-02-02-02 & S04-02-02-04 FOR FULL DETAILS.

ITEM	QTY	DESCRIPTION	ITEM No.	DRG REF
7	1	LUG COMPRESSION 35sq.mm	156240	
6	-	CABLE Cu PVC 35sq.mm BLACK	1586	S02-01-01-23
5	1	CONNECTOR, PIERCING 150/35	415586	S04-01-02-15
4	-	CABLE LV ABC	-	S04-01-01-01
3b	1	CLAMP SUSPENSION COMBINATION	-	S04-01-02-10
3a	1	CLAMP SUSPENSION 4x95sq.mm	197681	S04-01-02-10
2b	1	HOOK BOLT M16	197731	S04-01-02-07
2a	1	HOOK BOLT M16 NON-BREAKAWAY ASSEMBLY	-	S04-01-02-07
1	1	BRACKET HOOK MOUNTING	203679	S04-01-02-02

MATERIAL SCHEDULE

NO	DESCRIPTION	DRN	DATE	CKD	APPD
3	TITLEBLOCK & DRAWING NUMBER FORMATTED	K.T.	DEC'19	C.C.	C.C.
2	DRIP LOOP ADDED, MATERIALS TABLE UPDATED	K.T.	JUN'12	B.C.	S.C.
1	REDRAWN ON CAD	A.T.	MAY'98	R.I.	F.R.
AMENDMENTS					



DES	B.T.KENT	POWER STANDARD DRAWING		
DRN	A.DAVIS	ASSEMBLIES LV-ABC WELDED POLES INTERMEDIATE SUSPENSION		
CKD	R.INNES			
APPD	F.ROBSON			
SCALE	N.T.S.			
ISSUED	MAY'98	A3	DRAWING NUMBER	S04-02-01-05
ALL DIM.	IN mm			
DRAFTING STANDARD TO A.S.1100		CAD PRODUCT - DO NOT AMEND MANUALLY		AMDT