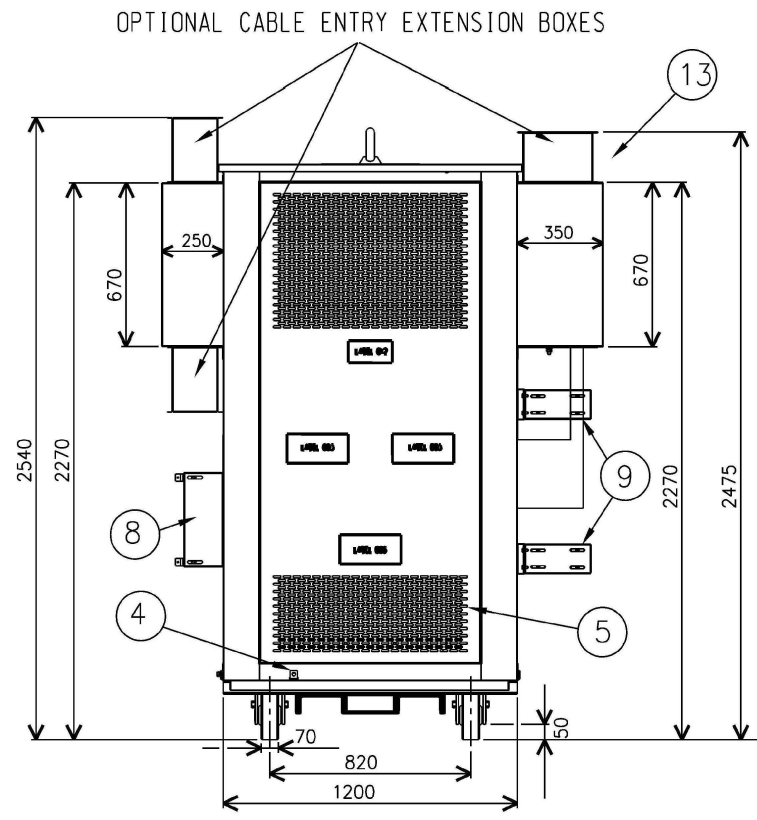
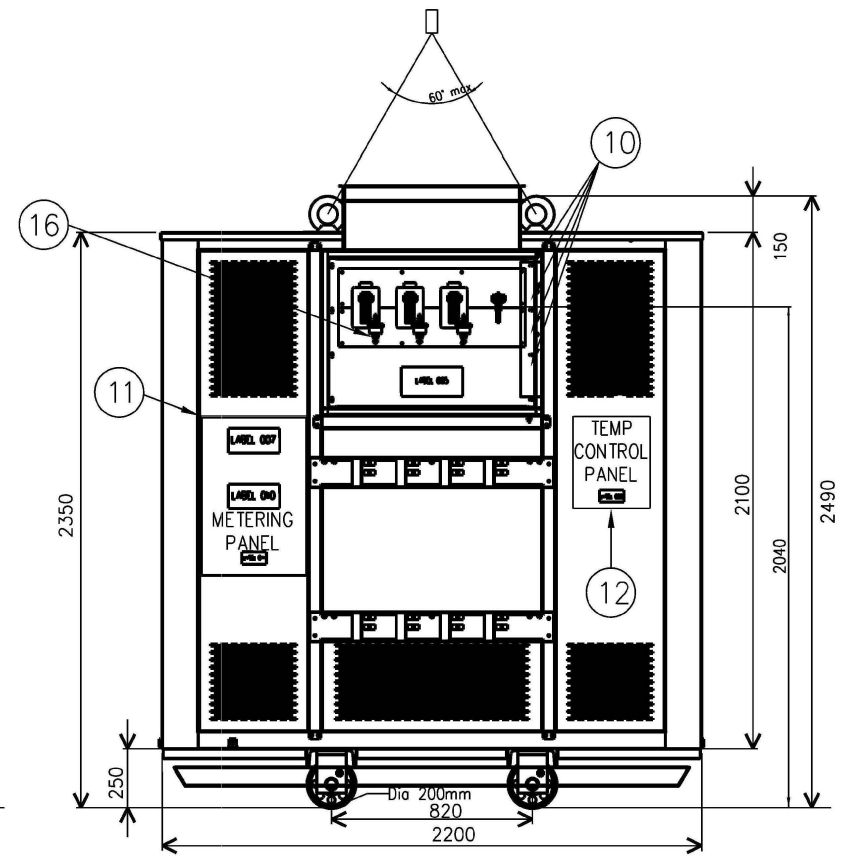


HV FRONT VIEW

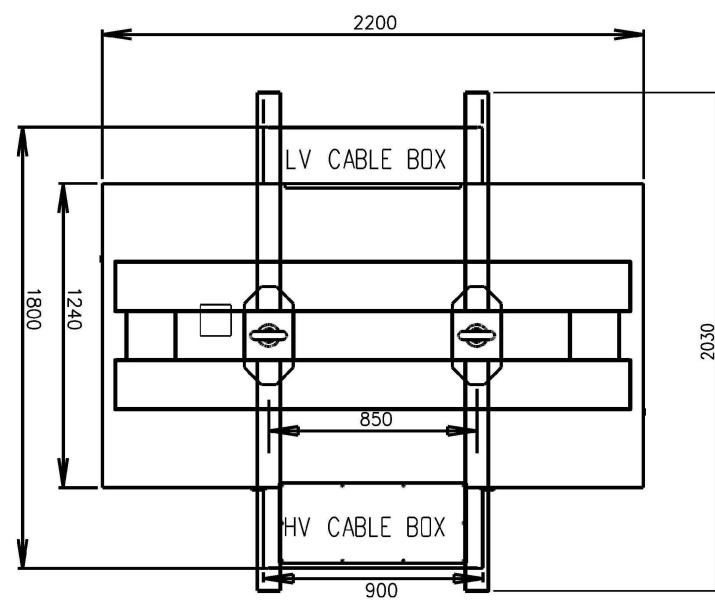


SIDE VIEW

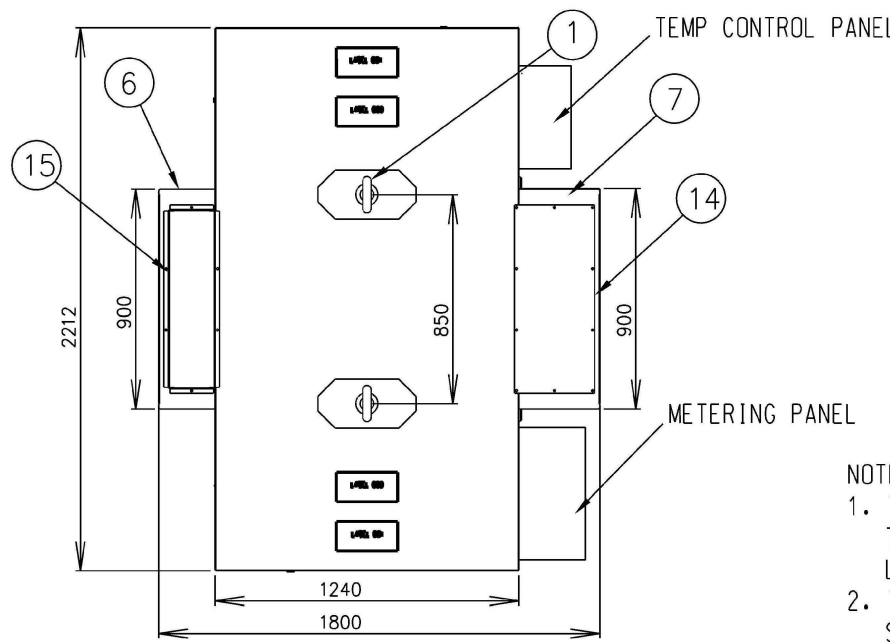


LV FRONT VIEW

11KV TRANSFORMERS	
KVA RATING	ITEM NUMBER
1000KVA	502494
1500KVA	TBA



PLAN VIEW - SPREADER BARS



PLAN VIEW

NOTES:
 1. TO BE READ IN CONJUNCTION WITH THE DESIGN GUIDELINES FOR UPPER LEVEL SUBSTATION CHAMBERS
 2. TRANSFORMER MUST COMPLY WITH PWC STANDARD TECHNICAL SPECIFICATION STSP 02-009.

ITEM	QTY	DESCRIPTION
1	2	LIFTING EYES 6.4 TON @ 60° CHAINS
2	2	WHEEL TROLLEY ASSEMBLY
3	3	REMOVABLE WINDOW TO ACCESS TAP CHANGER
4	4	EARTHING STRAPS
5	14	AIR VENTILATION LOUVRES
6	1	HV CABLE BOX
7	1	LV CABLE BOX
8	3	HV CABLES CLAMPING SYSTEM
9	8	LV CABLES CLAMPING SYSTEM
10	4	LV BOX FUSES
11	1	METERING PANEL BOX
12	1	TEMP CONTROL BOX
13	2	SPREADER BAR
14	1	UNDRILLED 3MM ALUMINIUM GLAND PLATE
15	1	UNDRILLED 3MM ALUMINIUM GLAND PLATE
16	3	LV SURGE ARRESTORS

2	ADDED NOTE 2.	P.BH.	JUL '23	B.V.	B.C.
1	TITLEBLOCK & DRAWING NUMBER FORMATTED	K.T.	FEB '19	C.C.	C.C.
0	ISSUED FOR CONSTRUCTION	A.T.	JUN '14	B.C.	B.C.
NO	DESCRIPTION	DRN	DATE	CKD	APPD
AMENDMENTS					



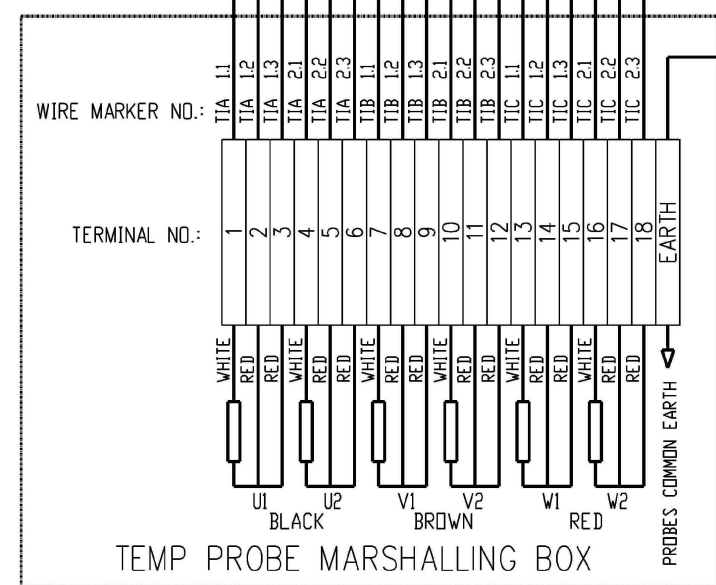
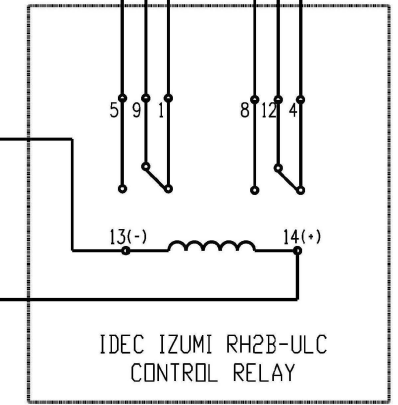
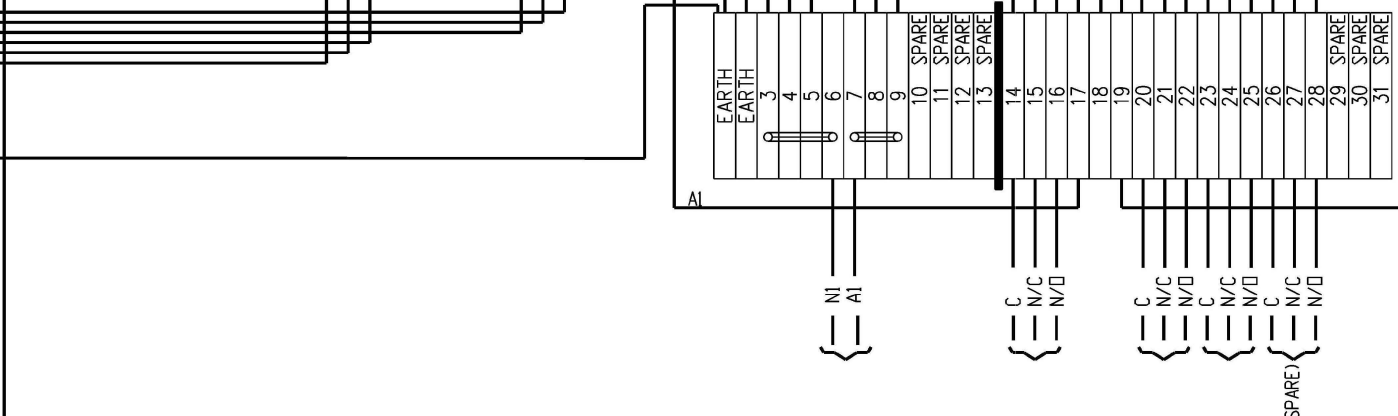
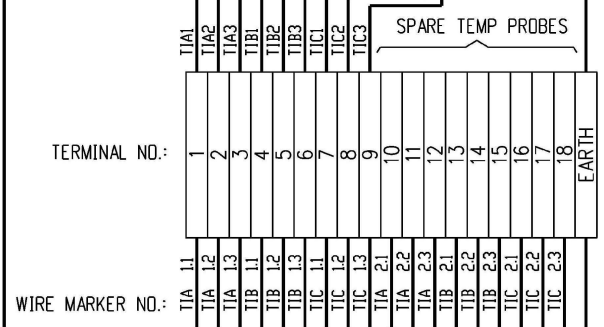
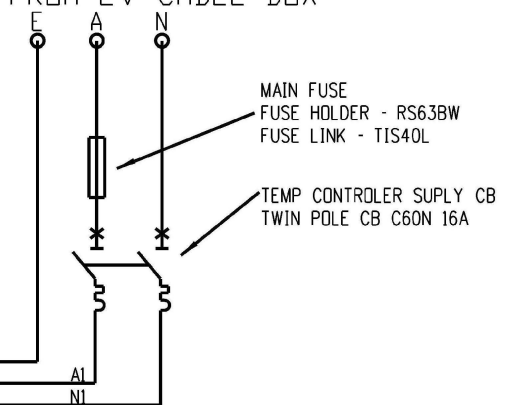
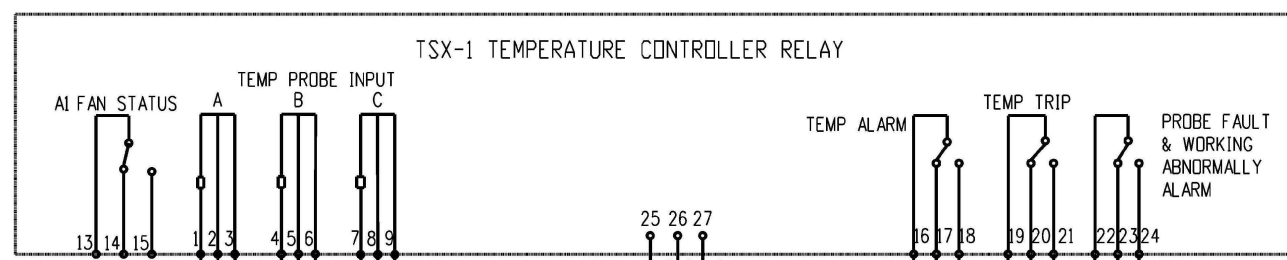
DES	B.CHEUNG
DRN	A.TAYLOR
CKD	A.TAYLOR
APPD	B.CHEUNG
SCALE	N.T.S.
ISSUED	APR '14
ALL DIM. IN mm	
DRAFTING STANDARD TO A.S.1100	

POWER STANDARD DRAWING	
TRANSFORMERS TESAR DRY TYPE IN ENCLOSURE 1000 AND 1500KVA	
A3	DRAWING NUMBER S02-01-06-08_1
CAD PRODUCT - DO NOT AMEND MANUALLY	



240V AC TEMPERATURE CONTROLLER
SUPPLY FROM LV CABLE BOX

- WIRING:
 1. RED FOR ACTIVE
 2. BLACK FOR NEUTRAL
 3. GREEN/YELLOW FOR EARTHING
 4. GRAY FOR OTHER TERMINALS
 5. 1.5sqmm COPPER CABLE



TEMPERATURE CONTROL PANEL

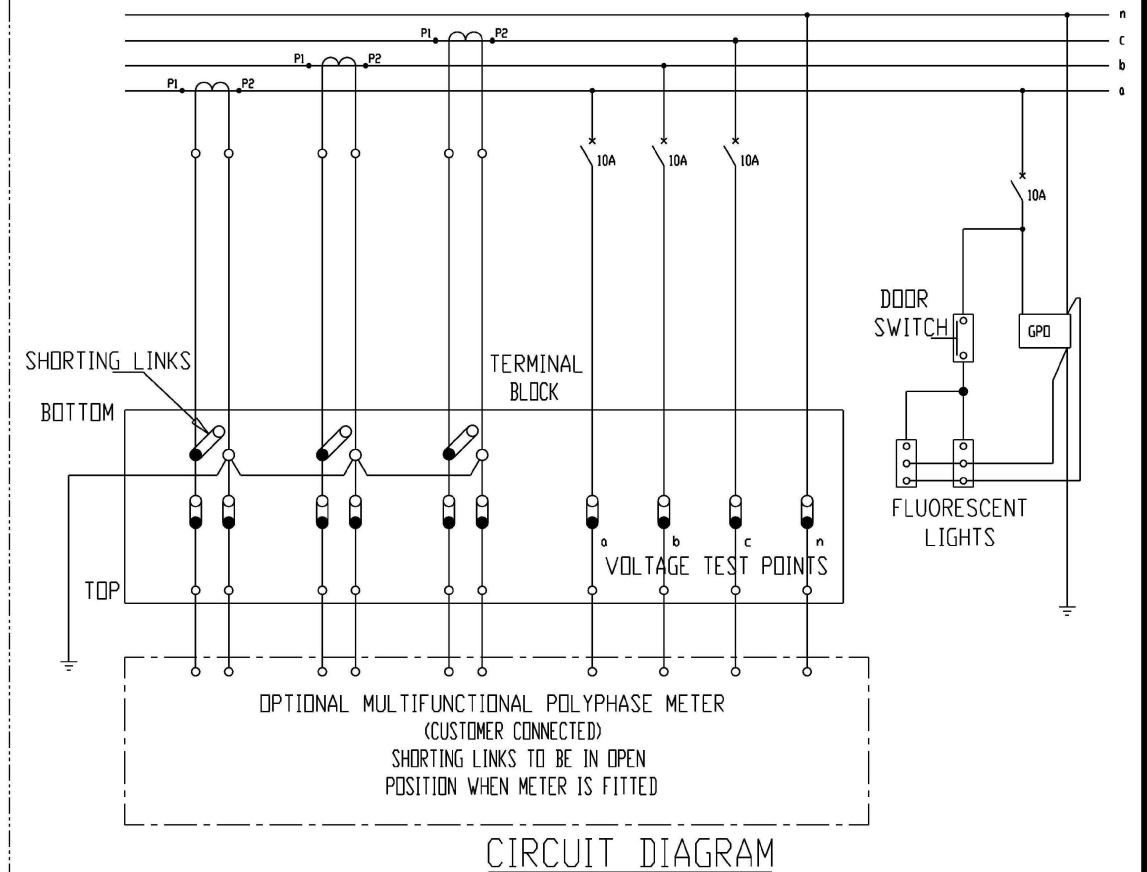
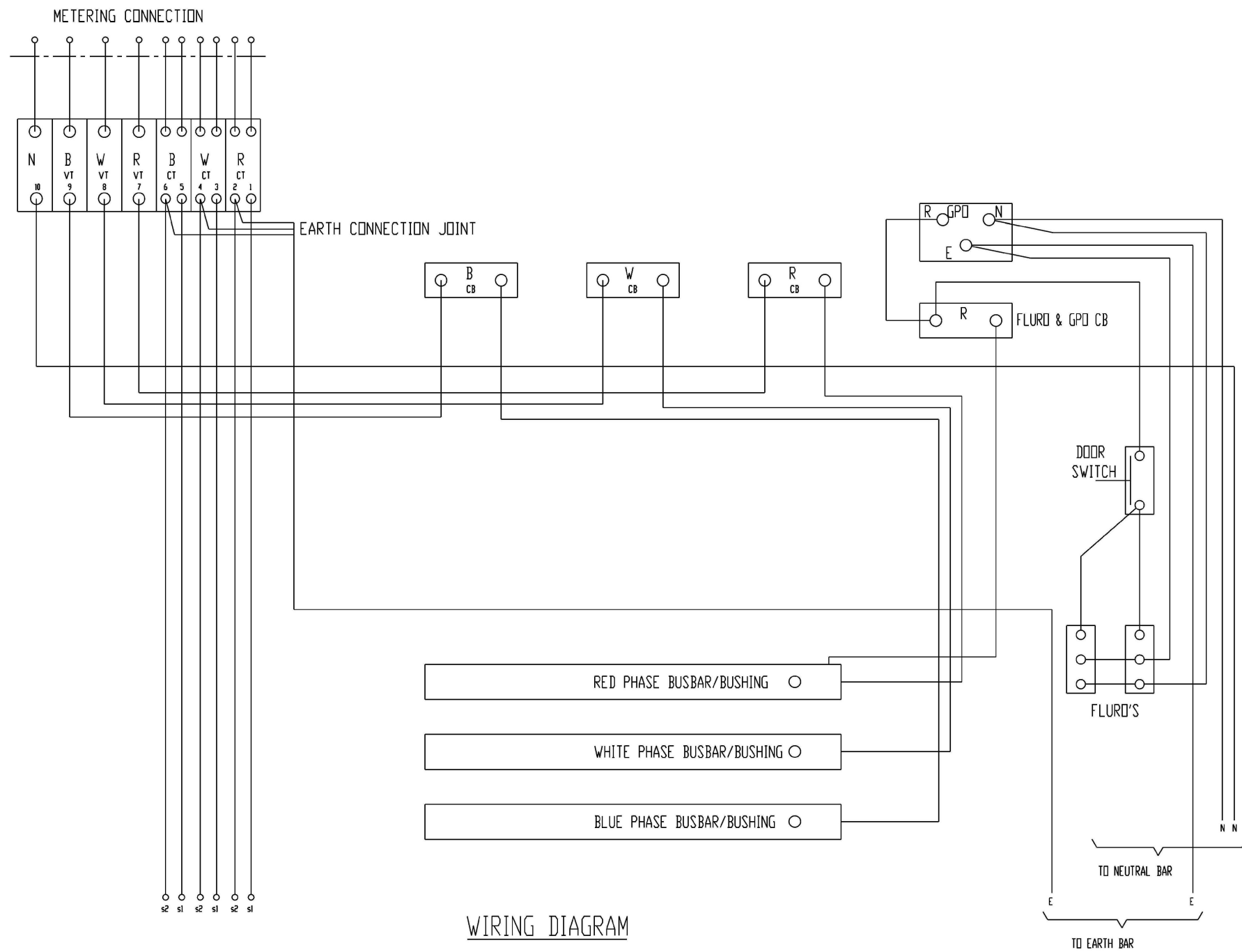
2	SHEET 1 AMENDED.	P.BH.	JUL '23	B.V.	B.C.
1	TITLEBLOCK & DRAWING NUMBER FORMATTED	K.T.	FEB '19	C.C.	C.C.
0	ISSUED FOR CONSTRUCTION	A.T.	JUN '14	A.T.	B.C.
NO	DESCRIPTION	DRN	DATE	CKD	APPD
AMENDMENTS					



DES	B. CHEUNG
DRN	A. TAYLOR
CKD	A. TAYLOR
APPD	B. CHEUNG
SCALE	N.T.S.
ISSUED	APR '14
ALL DIM.	IN mm
DRAFTING STANDARD TO A.S.1100	

POWER STANDARD DRAWING	
TRANSFORMERS	
TEASR DRY TYPE IN ENCLOSURE	
1000 AND 1500KVA	
TEMPERATURE CONTROL WIRING DIAGRAM	
A3	DRAWING NUMBER S02-01-06-08_2
CAD PRODUCT - DO NOT AMEND MANUALLY	





NOTES:

- CT1-CT3 TRANSFORMERS CURRENT METERING
- ALL FUSES CONNECTED FROM LV BUSHINGS AND WIRED USING 7/1.04mm 0.6/1kV
- ALL OTHER WIRING 7/0.67mm 0.6/1kV
- NEUTRAL/EARTH CONNECTIONS MADE TO SUBSTATION NEUTRAL/EARTH BAR
- INTERNAL SUBSTATION LIGHTING AND GPO EQUIPMENT TO BE INSTALLED EXTERNAL TO DRY TYPE TRANSFORMER ENCLOSURE

2	SHEET 1 AMENDED.	P.BH.	JUL '23	B.V.	B.C.
1	TITLEBLOCK & DRAWING NUMBER FORMATTED	K.T.	FEB '19	C.C.	C.C.
0	ISSUED FOR CONSTRUCTION	A.T.	JUN '14	A.T.	B.C.
NO	DESCRIPTION	DRN	DATE	CKD	APPD
AMENDMENTS					



DES	B.CHEUNG	POWER STANDARD DRAWING			
DRN	A.TAYLOR	TRANSFORMER			
CKD	A.TAYLOR	TESAR DRY TYPE IN ENCLOSURE			
APPD	B.CHEUNG	1000 AND 1500KVA			
SCALE	N.T.S.	METERING WIRING DIAGRAM			
ISSUED	APR '14	A3	DRAWING NUMBER	S02-01-06-08_3	
ALL DIM. IN mm				AMDT	
DRAFTING STANDARD TO A.S.1100			CAD PRODUCT - DO NOT AMEND MANUALLY		