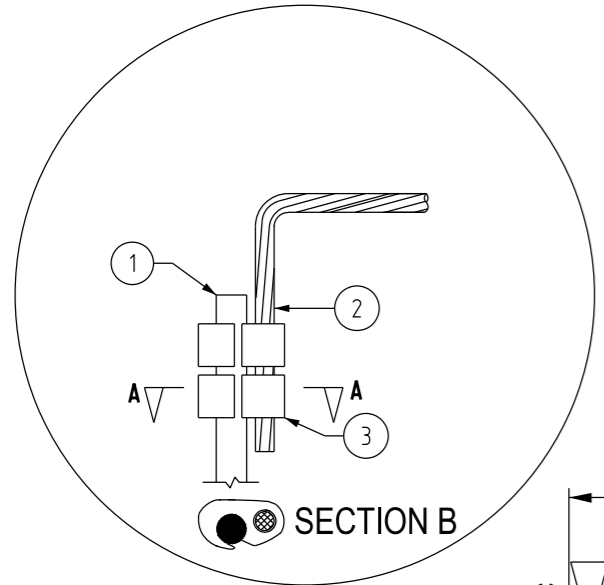


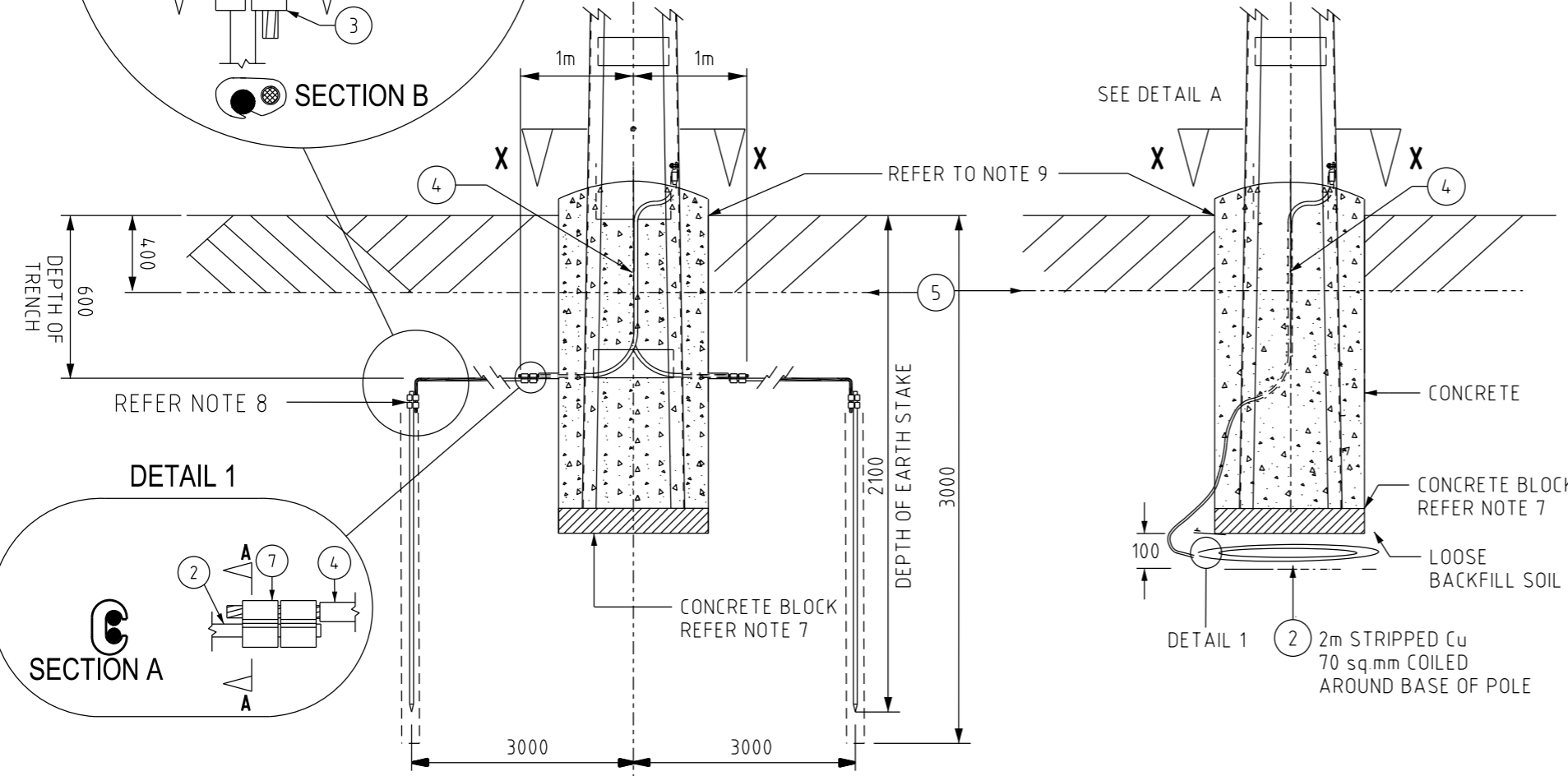
FOR ROUND POLE CONSTRUCTION FOR UNIVERSAL POLE CONSTRUCTION

X SECTION
- N.T.S.



TYPE A

TYPE B



NOTES

- ALL POLES TO BE EARTHED AS SHOWN EXCEPT WHERE SPECIAL ARRANGEMENTS ARE REQUIRED, SUCH AS FOR POLE MOUNTED SUBSTATIONS, G.B.S., METERING UNITS, CAPACITOR BANK INSTALLATIONS, CABLE TERMINATIONS, ETC., WHERE TYPE 1, 2 OR 3 EARTHING REQUIREMENTS MUST BE USED AS REQUIRED.
- EARTHING TYPE A IS TO BE USED ON EVERY 5TH POLE IN URBAN AREAS AND EVERY 3RD POLE IN RURAL AREAS. ALL OTHER NON-SPECIAL POLES ARE TO BE EARTHED AS SHOWN IN TYPE B.
- EARTH ELECTRODES ARE TO BE PLACED DIRECTLY BELOW THE CENTERLINE OF OVERHEAD CONDUCTORS.
- USE 4M OF YELLOW/GREEN INSULATED CABLE FROM EARTHING BOLT TO BARE COPPER 19/2.14 (70 sqmm) CONDUCTOR. CONNECTION POINT IS TO BE 1m FROM THE BASE OF POLE.
- FOR TYPE A, AUGER A MINIMUM DIAMETER HOLE TO A MINIMUM DEPTH OF 3 METERS, FEED 70sqmm BARE COPPER CABLE INTO THE HOLE AND BACKFILL. FOR BORED HOLES LESS THAN 75mm DIA, BACKFILL WITH A MIXTURE OF EARTHING COMPOUND AND WATER RATIOS BEING 20-30kg EARTH COMPOUND TO 10-15L WATER. FOR BORED HOLES GREATER THAN 75mm DIAMETER, BACKFILL WITH SELECTED SOIL MIXED WITH EARTHING COMPOUND AT 1:1 RATIO AND PLACED IN THE HOLE AND PROGRESSIVELY WATERED.
- REFER TO S01-04-04-01 PWC PROCEDURE 'LINE/SERVICE POLE INSTALLATION - CIVIL WORKS' FOR THE INSTALLATION & REQUIREMENTS OF POLE CONCRETE FOUNDATIONS.
- TYPE A ONLY: TWO INDEPENDENT EARTH CONNECTORS OR AN EXOTHERMIC EARTHINGWELD MUST BE USED ON ALL NEW JOINTS AND TERMINATIONS. EXISTING INSTALLATIONS MAY HAVE SINGLE CONNECTORS.
- REFER TO S01-04-01-21 FOR FOUNDATION AND POLE PLACEMENT DIMENSIONS.

ITEM	TYPE A	TYPE B	DESCRIPTION	ITEM NUMBER	DRAWING REF.
11	2	1	M12 GALV. STEEL SPRING WASHER	239616	S01-01-04-43
10	2	1	M12x40 GALV. STEEL BOLT C/W NUT	503669	S01-01-04-43
8	2	1	M12 GALV. STEEL FLAT WASHER	400832	S01-01-04-43
7	4	-	'C' CONNECTOR EARTHING COMPRESSION	255786	S01-01-05-08
6	2	1	LUG COMPRESSION - Cu - 70sqmm	5512	S02-01-02-11
5	6m	0.5m	MARKER TAPE	6569	S02-01-08-05
4	4m	4m	Y/Gr INSULATED COPPER 70 sq.mm	401059	S02-01-01-23
3	4	-	'6' CONNECTOR EARTHING COMPRESSION	257394	S01-01-05-08
2	6m	-	BARE COPPER CONDUCTOR - 70sq.mm	9803	S01-01-05-05
1	2	-	EARTH ROD 14mm SS316	414060	S01-01-05-01

MATERIAL SCHEDULE

NO	DESCRIPTION	DRN	DATE	CKD	APPD
12	REMOVED NOTE 5 & ITEMS 9 & 11. ADDED DOUBLE INDEPENDENT CONNECTIONS, NOTE 8, 9 & ITEM 11. ROUND POLE 'NOT FOR NEW CONSTRUCTION'. UPDATED IMAGERY.	A.N.	OCT'21	A.N.	B.V.
11	CORRECT DIMENSION AND INCLUDE ITEM NUMBER FOR ITEM 8.	C.C.	JAN'21	B.V.	B.C.
10	CORRECTED GAL PIPE ITEM NUMBER	C.W.M.	FEB'20	B.V.	B.V.
9	TITLEBLOCK & DRAWING NUMBERS FORMATTED	K.T.	JAN'19	C.C.	C.C.
8	ITEM NUMBER AMENDED	P.H.	APR'18	I.B.	B.C.
7	OPTION 1 & 2 REMOVED FROM TYPE 'A' EARTHING METHOD	I.B.	JUL'17	B.C.	B.C.
6	ITEM 10 & 11 ADDED, NOTE 7 ADDED, POLE FOUNDATION AMENDED	K.T.	JUN'16	I.B.	B.C.
5	ROUND POLE DETAILS ADDED	A.T.	JULY'11	B.N.	S.C.
4	ARRANGEMENT TYPE B ADDED	J.C.	SEP'10	A.T.	S.C.

PowerWater
NORTHERN TERRITORY

DES	S.C.M.	POWER STANDARD DRAWING		
DRN	J.A.L.	EARTHING POLE EARTHING METHOD TYPE A & TYPE B		
CKD	-			
APPD	F.ROBSON			
SCALE	N.T.S.			
ISSUED	JUN'98	A3	DRAWING NUMBER	S01-02-03-19
ALL DIM. IN mm				
DRAFTING STANDARD TO A.S.1100		CAD PRODUCT - DO NOT AMEND MANUALLY		12 AMDT