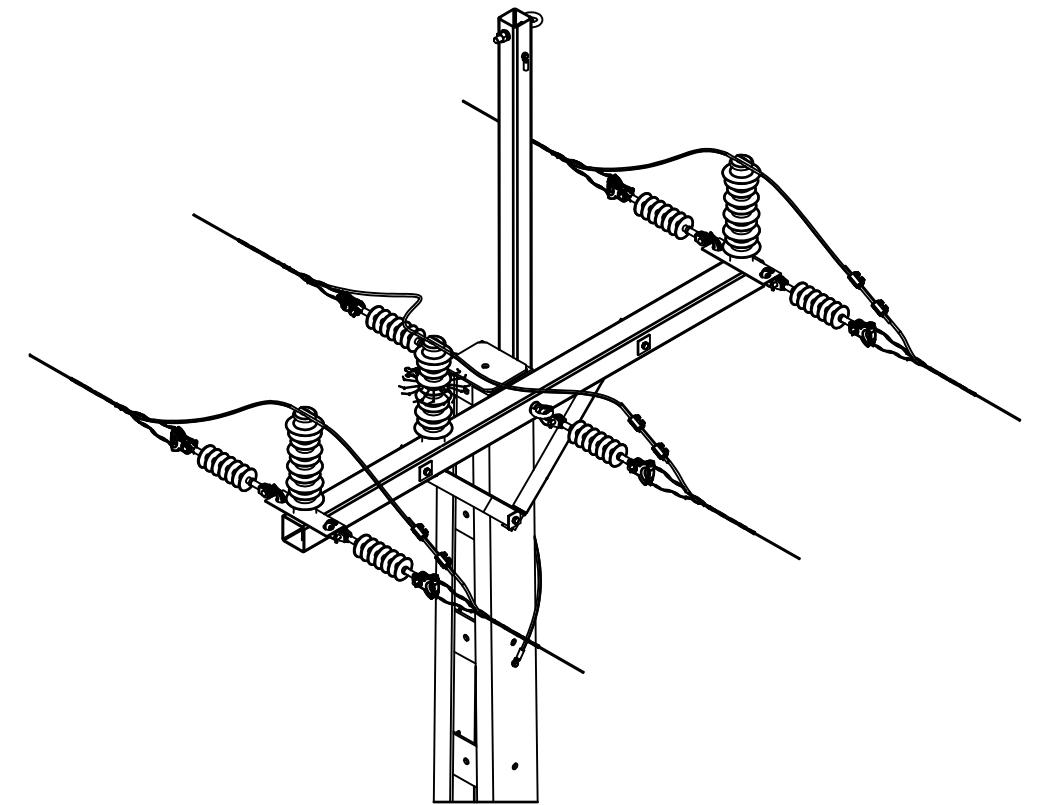
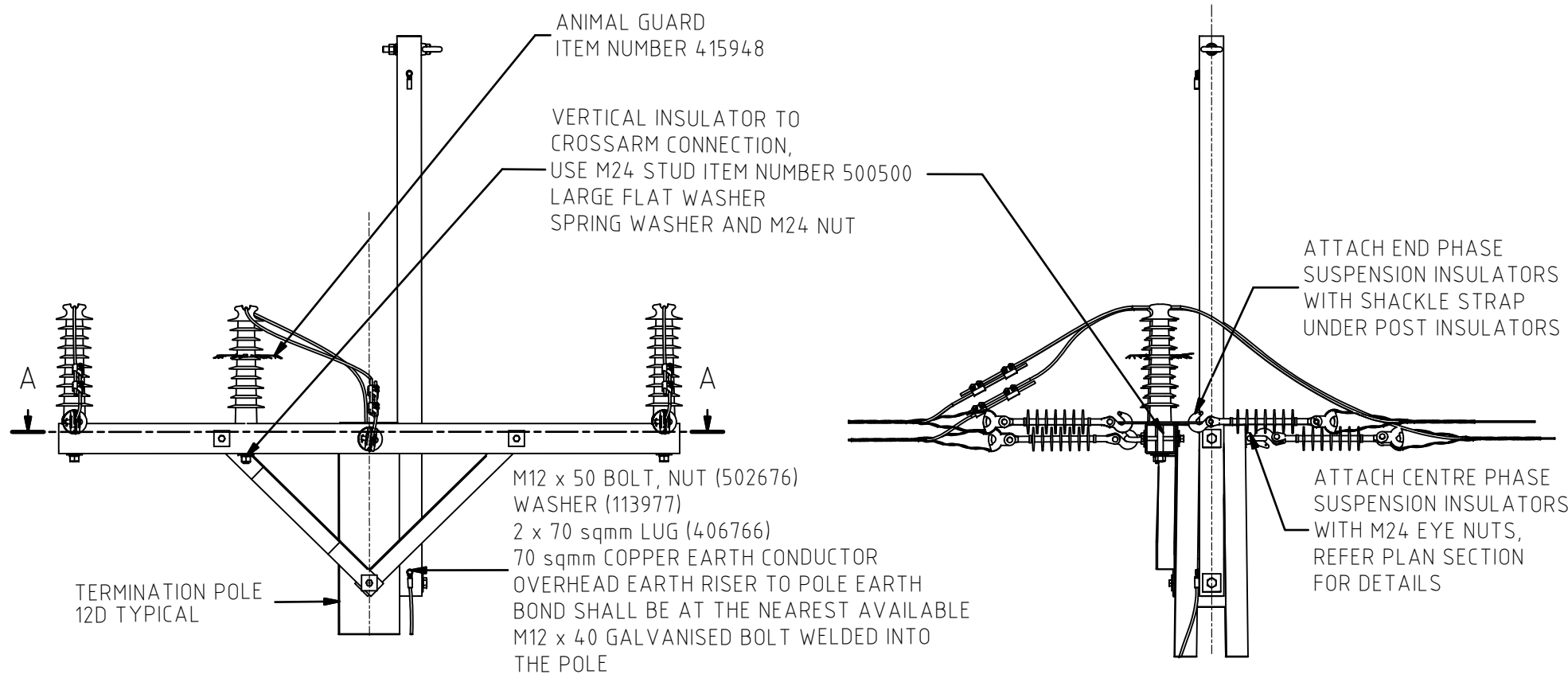


PLAN VIEW
SCALE (1 : 25)



ISOMERIC VIEW
SCALE (1 : 30)



FRONT VIEW
SCALE (1 : 25)

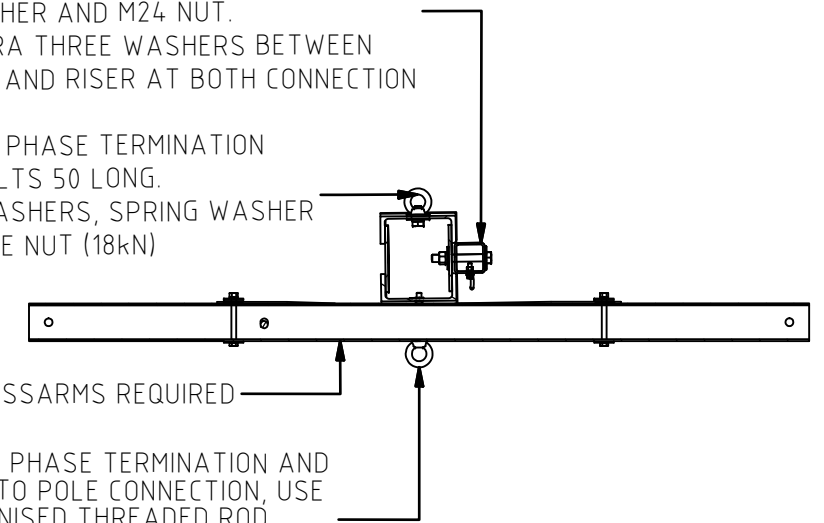
SIDE VIEW
SCALE (1 : 25)

AERIAL RISER TO POLE 2 OFF CONNECTIONS,
USE M24 BOLT 180 LONG, 2x FLAT WASHERS,
SPRING WASHER AND M24 NUT.
ALLOW EXTRA THREE WASHERS BETWEEN
POLE BRACE AND RISER AT BOTH CONNECTION

FOR CENTRE PHASE TERMINATION
USE M24 BOLTS 50 LONG.
4 x FLAT WASHERS, SPRING WASHER
AND M24 EYE NUT (18kN)

125x125 CROSSARMS REQUIRED

FOR CENTRE PHASE TERMINATION AND
CROSSARM TO POLE CONNECTION, USE
M24 GALVANISED THREADED ROD,
2 x FLAT WASHERS, SPRING WASHER
AND M24 EYE NUT (18kN)



SECTION : A-A
SCALE (1 : 25)

7	AMENDED CENTRE INSULATOR POSITION. AMDEND CROSSARM & FASTENERS	P.G.	JUN'24	B.C.	B.V.
6	CROSSARM AMENDED	C.C.	JUN'21	B.C.	B.V.
5	TITLE BLOCK & DRAWING NUMBERS FORMATTED	P.H.	APR'18	I.B.	B.C.
4	ITEM NUMBER AMENDED	P.H.	APR'18	I.B.	B.C.
3	AMENDED LABELS	C.M.	JAN'10	A.T.	S.C.
2	RENAMED AND UPDATED CROSSARM CONSTRUCTION	C.M.	JAN'10	A.T.	S.C.
1	ADD EARTH BOND	C.M.	JAN'10	A.T.	S.C.
0	ISSUED FOR CONSTRUCTION	A.S.	MAR'01	M.B.	F.R.R.
NO	DESCRIPTION	DRN	DATE	CHK	APPD
AMENDMENTS					



DES	M.BOCK
DRN	P.GUNA
CHK	M.BOCK
APPD	F.ROBSON
SCALE	AS SHOWN
ISSUED	JULY'00
ALL DIM. IN	mm
DRAFTING STANDARD TO A.S.1100	

ASSEMBLIES, O/H EARTH WIRE
ON HV C TOP CONSTRUCTION
FOR UNIVERSAL POLE CONSTRUCTION

A3 DRAWING NUMBER S01-02-01-23

