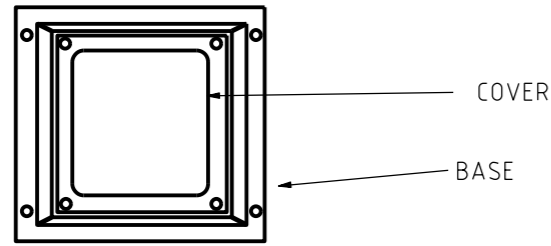
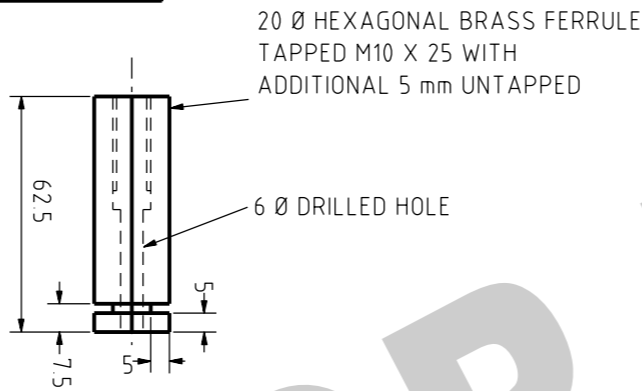


PILLAR REINFORCING COLLAR AND ASSOCIATED ITEMS

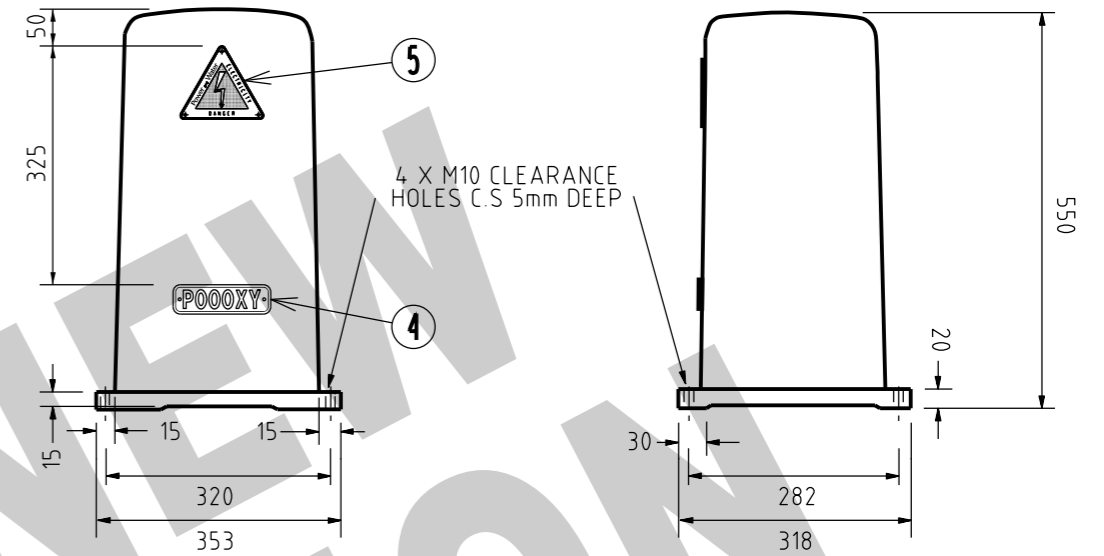
QTY	DESCRIPTION	ITEM NUMBER	DRAWING REF.
1	PILLAR REINFORCING COLLAR	413423	S02-01-03-01
4	M10x50mm SS304 SOCKET BUTTON HEAD BOLT	413422	-
4	M10, 23mmx13mm TOP HAT NYLON WASHER	413421	-



PLAN (TOP VIEW)



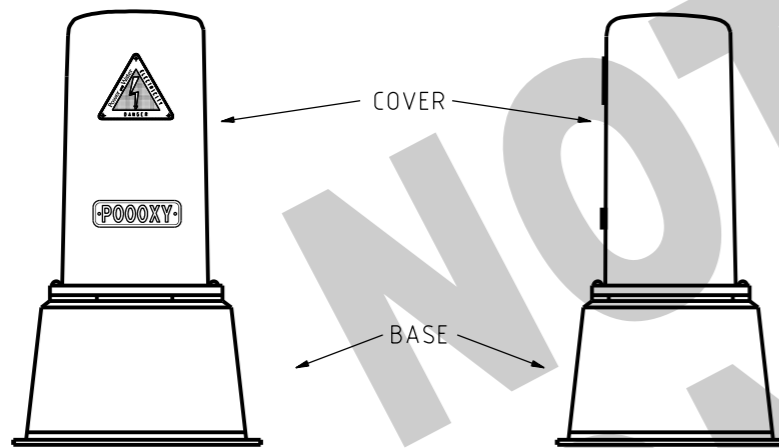
DETAIL OF FERRULE



FRONT

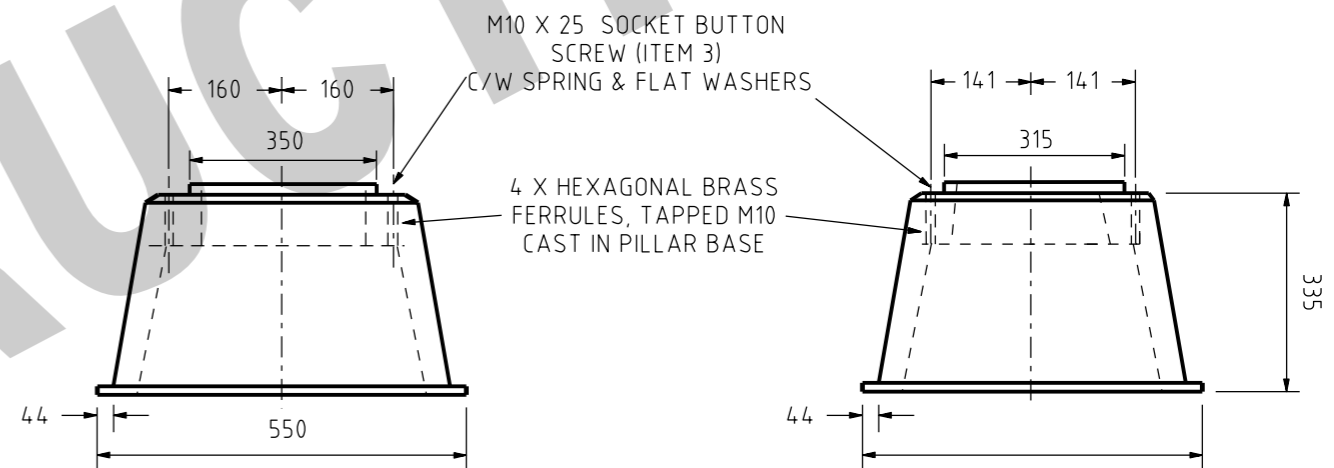
SIDE

DETAIL OF COVER
(ITEM 1)



FRONT

SIDE



FRONT

SIDE

DETAIL OF BASE
(ITEM 2)

NOTES :

- BASE & COVER TO BE HEAVY WALLED, UV & FIRE RESISTANT FIBERGLASS OR POLYTHENE, COLOUR-OLIVE GREEN.
- FERRULES TO BE BRASS AND FIXED INTO BASE
- SCREWS AND WASHERS TO BE STAINLESS STEEL AND SUPPLIED WITH BASE.

ITEM	QTY.	DESCRIPTION	ITEM NUMBER	DRAWING No.
5	1	SIGN 'DANGER - ELECTRICITY'	6460	S02-01-08-03
4	1	SIGN PILLAR	-	S02-01-08-30
3	4	SS304 SOCKET BUTTON HEAD BOLT M10x25mm	8300	-
2	1	PILLAR BASE	3533	-
1	1	PILLAR COVER	3582	-

NO	DESCRIPTION	DRN	DATE	CKD	APPD
12	ITEMS REDRAWN & DIMENSIONS UPDATED. REMOVED REFERENCE TO CONCRETE BASE. 'NOT FOR NEW CONSTRUCTION'. ADD COLLAR DRAWING REFERENCE & DETAIL ITEM 3.	A.N.	JUN'21	C.C.C.	B.V.
11	UPDATE ITEM NUMBER FOR COLLAR	C.C.	SEP'19	B.V.	B.C.
10	PILLAR COLLAR STOCK CODE ADDED	I.B.	SEP'16	A.T.	B.C.
9	SUPERSEDED	A.T.	DEC'12	B.C.	B.C.
8	ITEMS 3 & 4 ADDED. TITLE CHANGED	AS	AUG'06	RS	SC
7	REDRAWN ON CAD. DETAIL OF FERRULE AMENDED.	JAL	JUL'95	SCM	PJD



DES	J. HASSANEN	POWER STANDARD DRAWING		
DRN	R. HAIGH	DISTRIBUTION PILLARS RESIDENTIAL TYPE BASE, COVERS AND SIGNS		
CKD	G. Mc SHANAG			
APPD	I. CUK			
SCALE	N.T.S.			
ISSUED	FEBRUARY 1986	A3	DRAWING NUMBER	S02-01-03-01
ALL DIM. IN mm				
DRAFTING STANDARD TO A.S.1100		CAD PRODUCT - DO NOT AMEND MANUALLY		AMDT