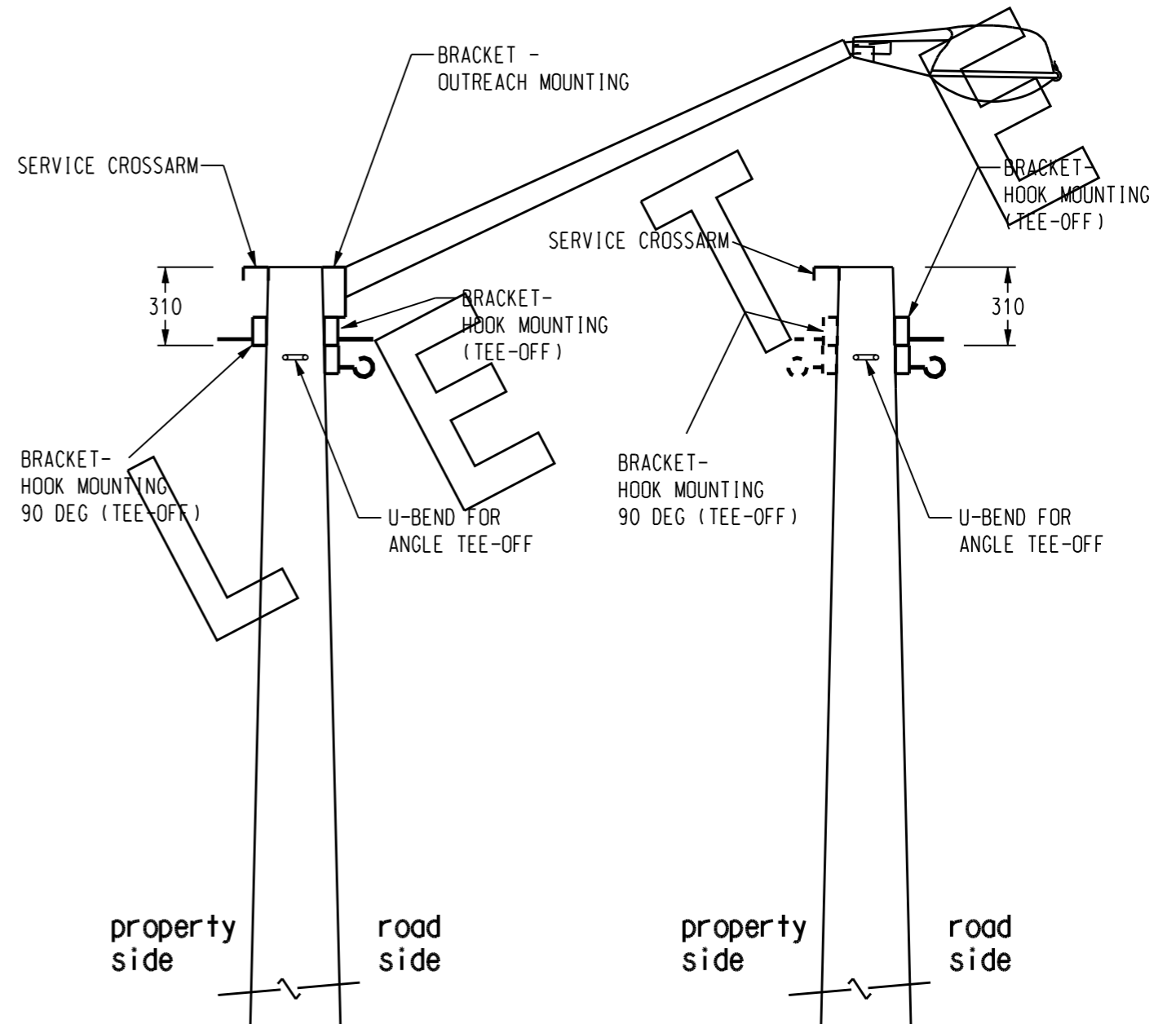
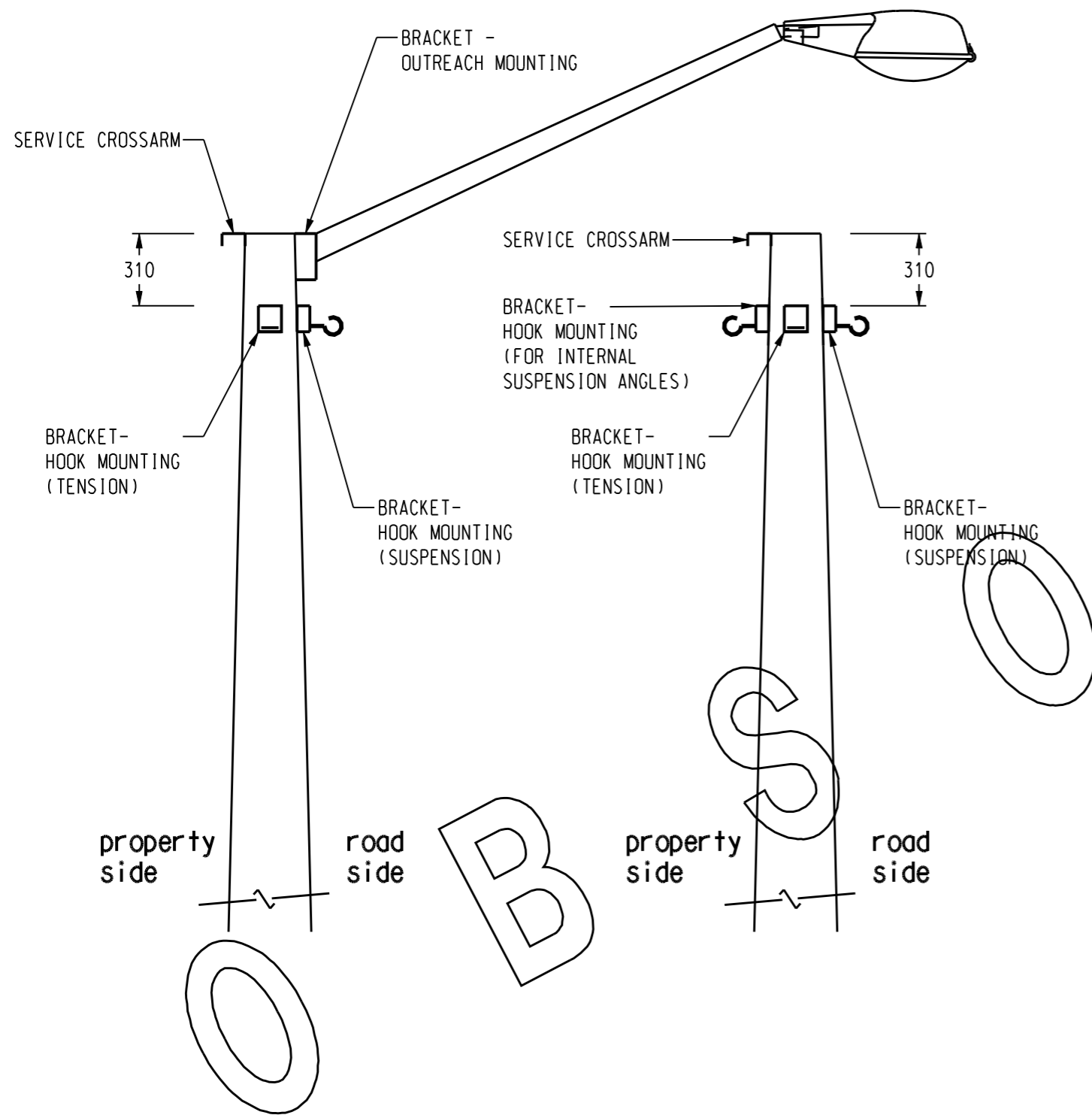



3RD ANGLE -DO NOT SCALE - REPORT ANY ERRORS, OMISSIONS TO DRAFTING OFFICE




NOTES :

1. USE HOOK MOUNTING BRACKET (ITEM No 203679) FOR SUSPENSION DEVIATION ANGLES UP TO 25 DEGREES, AND UP TO 50 DEGREES WITH ANGLE SPREADER.
2. TO CALCULATE POSITION OF BUNDLED CABLE ON POLE FOR SUSPENSION CONSTRUCTION ADD 200mm FROM TOP OF HOOK MOUNTING BRACKET.

						DES B.T.KENT		POWER STANDARD DRAWING	
						DRN A.DAVIS		ASSEMBLIES	
						CKD R.INNES		LV - ABC	
						APPD F.ROBSON		LV POLE TOP ARRANGEMENT	
						SCALE N.T.S.		BRACKET - MOUNTING POSITION	
						ISSUED MAY'98		A3	DRAWING NUMBER S04-02-01-04
						ALL DIM. IN mm			
						DRAFTING STANDARD TO A.S.1100		CAD PRODUCT - DO NOT AMEND MANUALLY	
2		TITLEBLOCK & DRAWING NUMBER FORMATTED				K.T.	JAN'20	C.C.	C.C.
1		REDRAWN ON CAD				A.D.	MAY'98	R.I.	F.R.
NO	DESCRIPTION					DRN	DATE	CKD	APPD
AMENDMENTS									



NORTHERN TERRITORY



AMDT