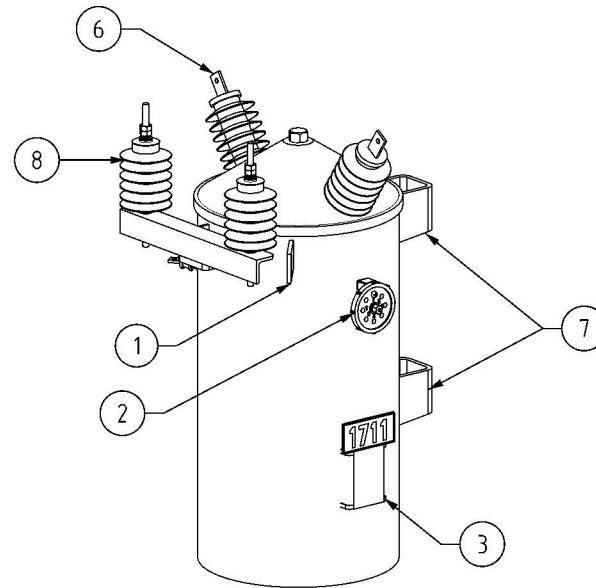
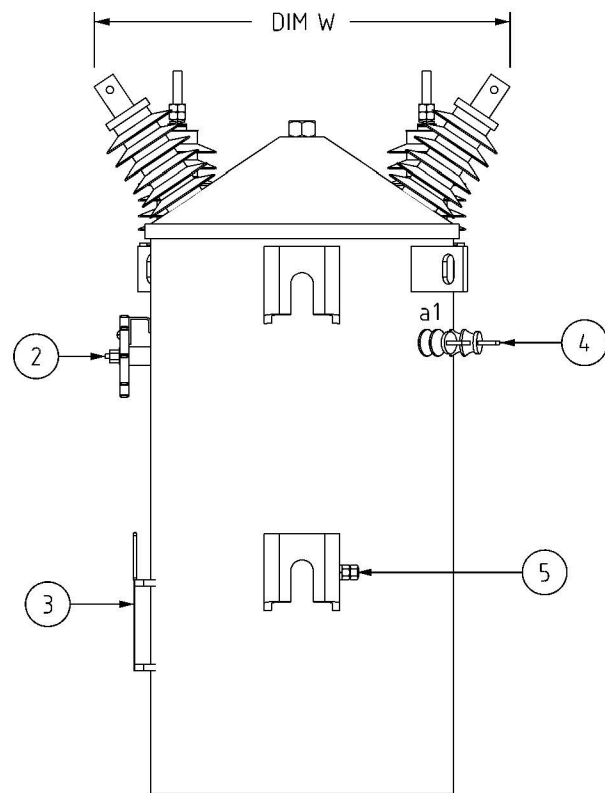


PLAN VIEW SHOWN WITH HV BUSHING REMOVED

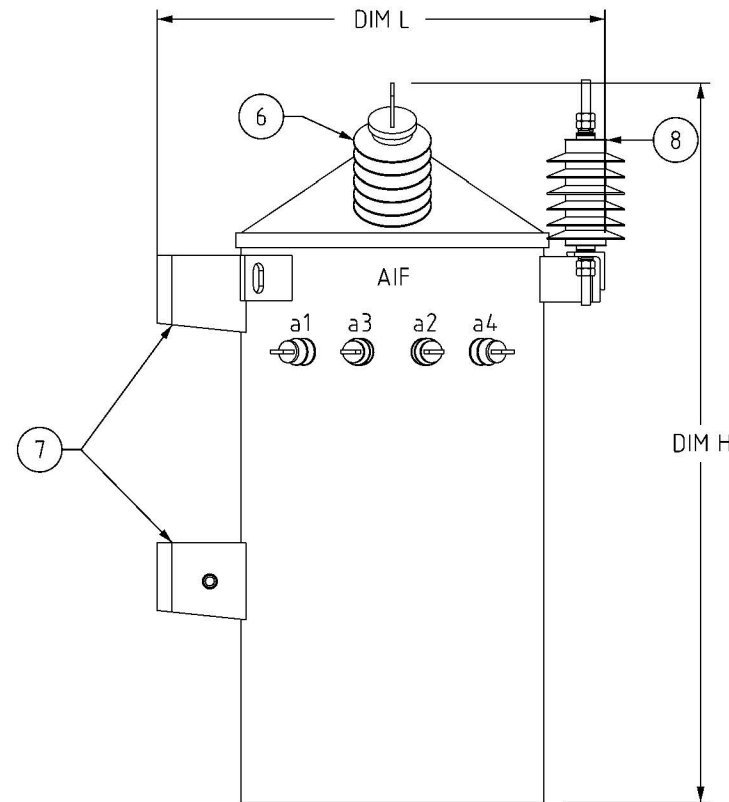
PLAN VIEW
N.T.S.



ISOMETRIC VIEW
N.T.S.



FRONT ELEVATION
N.T.S.



SIDE ELEVATION
1:10

SIZE (KVA)	VOLTAGE		ITEM NUMBER	DIMENSIONS		
	PRIMARY (kV)	SECONDARY (V)		W (mm)	L (mm)	H (mm)
16	11	250	412497	510	580	980
16	22	250	412496	550	580	950

NOTES:

- FOR 230V OUTPUT, THE FOLLOWING LV TERMINALS ARE TO BE LINKED/BONDED
a1-a3
a2-a4
- PWC APPROVED HV SURGE DIVERTERS ARE TO BE INSTALLED. REFER DRAWING S01-01-04-19 FOR DETAILS
- TO COMPLY WITH PWC SPECIFICATION STSP 01-006 POLE MOUNTED DISTRIBUTION TRANSFORMERS

ITEM	DESCRIPTION LIST
1	LIFTING LUG
2	TAP SELECTOR
3	NAME PLATE
4	LV BUSHING
5	M12 EARTH STUD
6	HV BUSHING
7	HANGING BRACKET
8	HV SURGE DIVERTER

S/No	OIL IS PCB FREE	
SINGLE PHASE DISTRIBUTION TRANSFORMER TO AS 60076		
Rated kVA	16	Winding Temp Rise °C
HV Volts	11000	65
LV Volts	500-250	Top Oil Temp. Rise °C
HV Amps	145	60
LV Amps	38-76	Impedance of 16 kVA 75°C
Frequency Hz	50	3.3 %
Insul level kV	95/28	Total Mass kg
Cooling	ONAN	165
Press. kPa (abs)	0/150	C&C Mass kg
HV winding	Cu	95
LV winding	Cu	43
		Date
		MM/20YY
		Plate No.
		50-2023-A

TOP POS	TOP CONN	HV VOLTS	LV VOLTS	AS	AF
1	5-6	12100	a1-a3	a1-a1	a1-a1
2	6-4	11825	a2-a3	a2-a2	a2-a2
3	4-7	11550	500	a3-a3	a3-a3
4	7-3	11275	a1-a3	a4-a4	a4-a4
5	3-8	11000	a2-a4		
6	8-2	10725	250		
7	2-9	10450			

Complies with AS2374.12

11kV NAMEPLATE

S/No	OIL IS PCB FREE	
SINGLE PHASE DISTRIBUTION TRANSFORMER TO AS 60076		
Rated kVA	16	Winding Temp Rise °C
HV Volts	22000	65
LV Volts	500-250	Top Oil Temp. Rise °C
HV Amps	0.727	60
LV Amps	38-76	Impedance of 16 kVA 75°C
Frequency Hz	50	3.3 %
Insul level kV	150/50	Total Mass kg
Cooling	ONAN	165
Press. kPa (abs)	0/150	C&C Mass kg
HV winding	Cu	95
LV winding	Cu	44
		Date
		MM/20YY
		Plate No.
		50-2024-A

TOP POS	TOP CONN	HV VOLTS	LV VOLTS	AS	AF
1	5-6	24200	a2-a3	a1-a1	a1-a1
2	6-4	23650	500	a2-a2	a2-a2
3	4-7	23100	a1-a3	a3-a3	a3-a3
4	7-3	22550	a2-a4	a4-a4	a4-a4
5	3-8	22000	250		
6	8-2	21450			
7	2-9	20900			

Complies with AS2374.12

22kV NAMEPLATE

NO	DESCRIPTION	DRN	DATE	CKD	APPD
2	AMENDED LV CURRENT	J.R.	OCT'24	B.B.	B.V.
1	LV LEVELS UPDATED	J.R.	OCT'24	J.R.	B.C.
0	ISSUED FOR CONSTRUCTION	C.C.	SEP'20	B.V.	B.C.

AMENDMENTS



DES -		POWER STANDARD DRAWING	
DRN	C.COPPINS	TRANSFORMERS	
CKD	B.CHEUNG	SINGLE PHASE 11kV & 22kV - POLE MOUNTED	
APPD	B.VANDERSTELT	16kVA	
SCALE	N.T.S.	GENERAL ARRANGEMENT	
ISSUED	SEPTEMBER 2020	A3	DRAWING NUMBER S01-01-09-08
ALL DIM. IN mm			
DRAFTING STANDARD TO A.S.1100		CAD PRODUCT - DO NOT AMEND MANUALLY	

