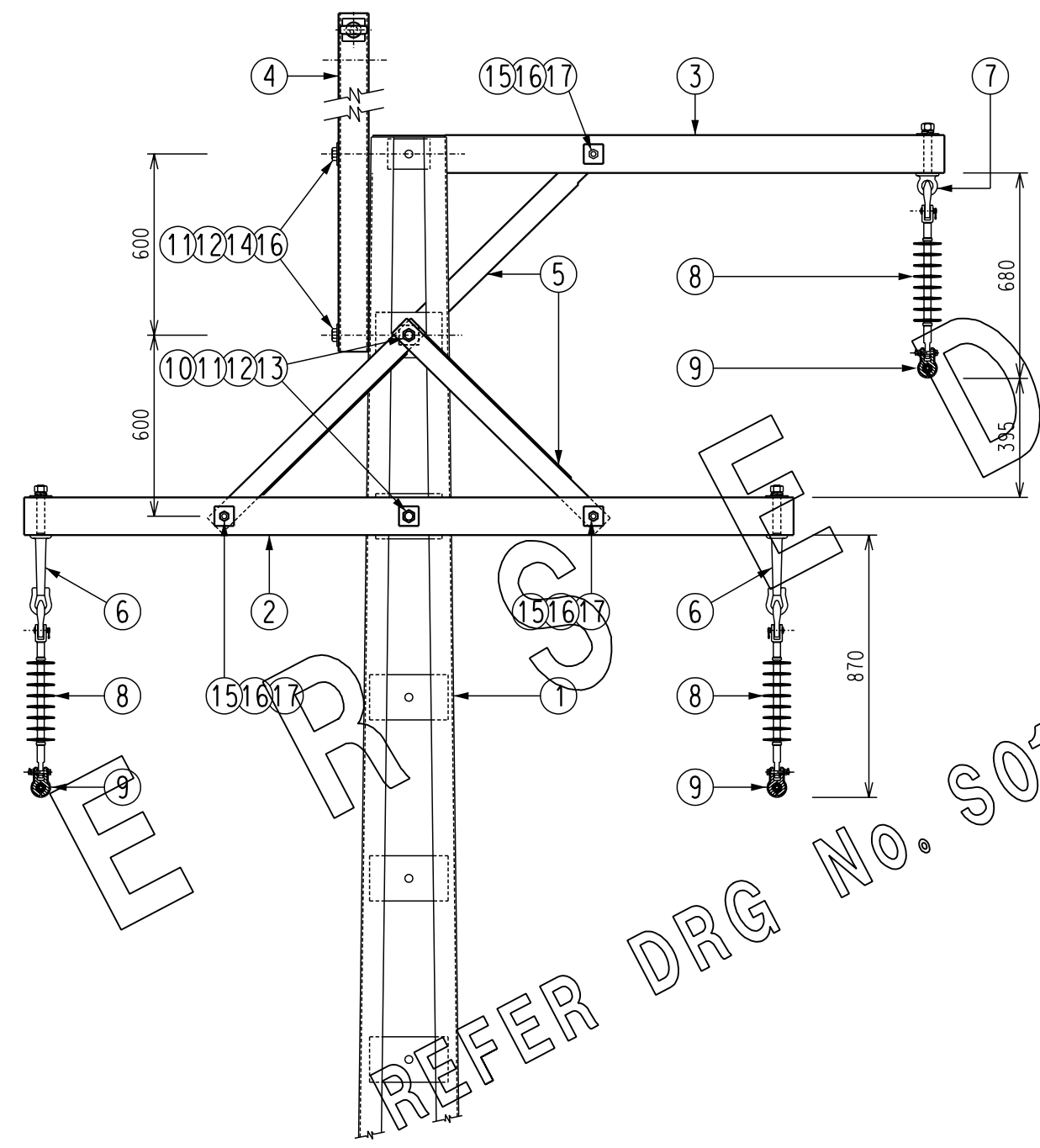
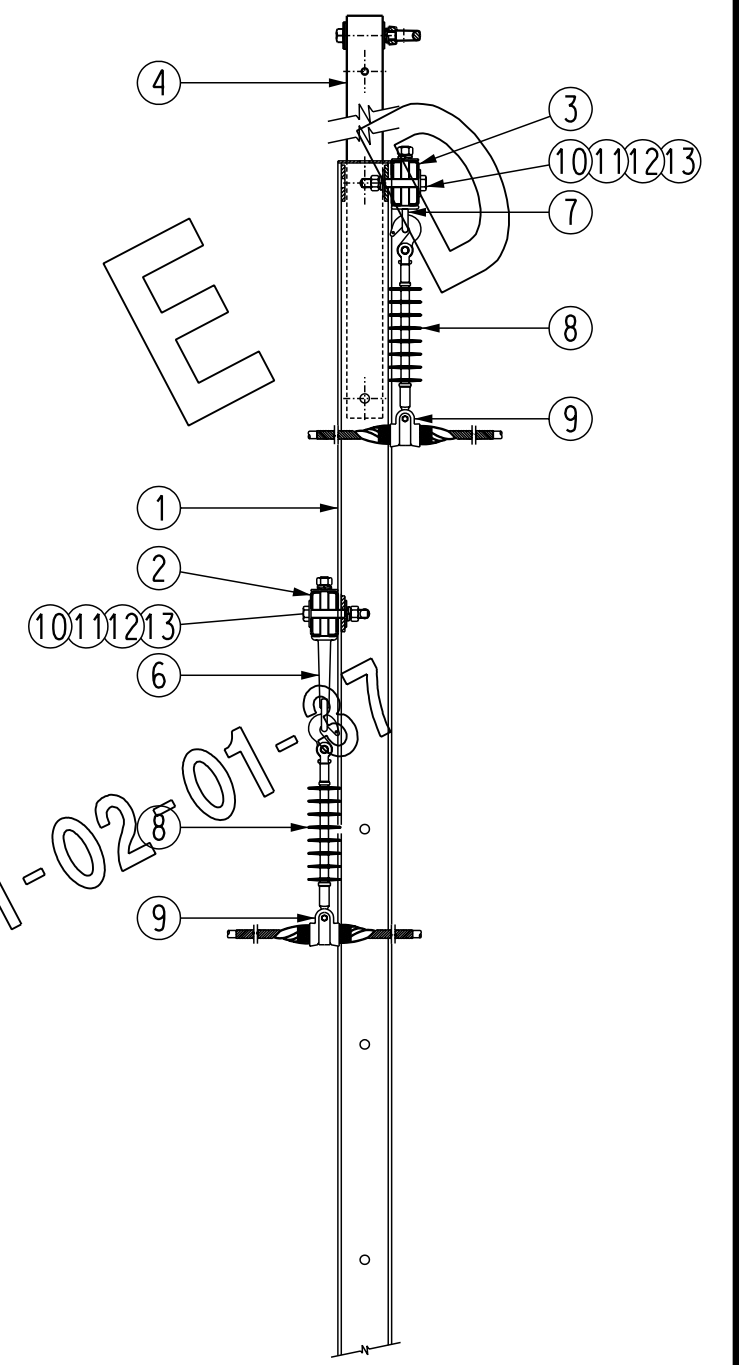


ITEM	QTY.	DESCRIPTION	ITEM NUMBER	DWG. No.
1	1	15m LINE POLE		S01-01-01-..
2	1	CROSSARM		S01-01-02-..
3	1	CROSSARM		S01-01-02-..
4	1	OVERHEAD EARTH RISER	298646	S01-01-02-13
5	3	ANGLE CROSSARM BRACE	298687	S01-01-04-38
6	2	EYE BOLT - FORGED C/W GALV. NUT & WASHER	16121	S01-01-04-15
7	1	EYE BOLT - FORGED C/W GALV. NUT & WASHER	400811	S01-01-04-45
8	3	SUSPENSION INSULATOR	292656	S01-01-03-09
9	3	ARMOUR GRIP SUSPENSION UNIT		S01-01-04-04
10	4	M24 x 65 BOLT		S01-01-04-41
11	18	M24 LARGE FLAT WASHERS	298828	
12	12	M24 SPRING WASHERS		
13	12	M24 NUT		
14	2	M24 x 150 BOLT		
15	3	M16 x 115 BOLT		
16	3	M16 SPRING WASHER		
17	3	M16 NUT		



ELEVATION (LINE POLE) 0° - 5°



END ELEVATION/SECTION
CROSSARM BRACE NOT SHOWN FOR CLARITY

NO	DESCRIPTION	DRN	DATE	CKD	APPD
0	ISSUED FOR CONSTRUCTION	A.S.	JAN'04	M.B.	M.B.
AMENDMENTS					



DES	M. BOCK	POWER STANDARD DRAWING	
DRN	A. SCHMID	ASSEMBLIES	
CKD	M. BOCK	SUSPENSION CONSTRUCTION 22kV (LINE)	
APPD	C. PEMBERTON	FOR UNIVERSAL POLE CONSTRUCTION	
SCALE	1:20	A3	DRAWING NUMBER S01-02-01-41
ISSUED	AUG'02		
ALL DIM.	IN mm	DRAFTING STANDARD TO A.S.1100	
CAD PRODUCT - DO NOT AMEND MANUALLY		AMDT	