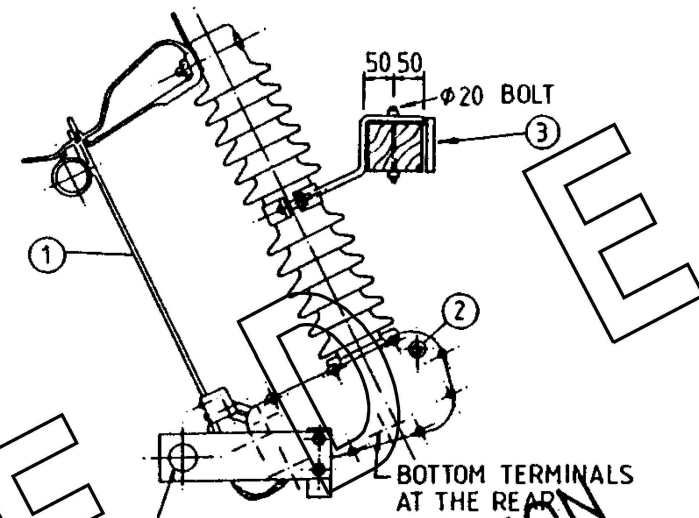
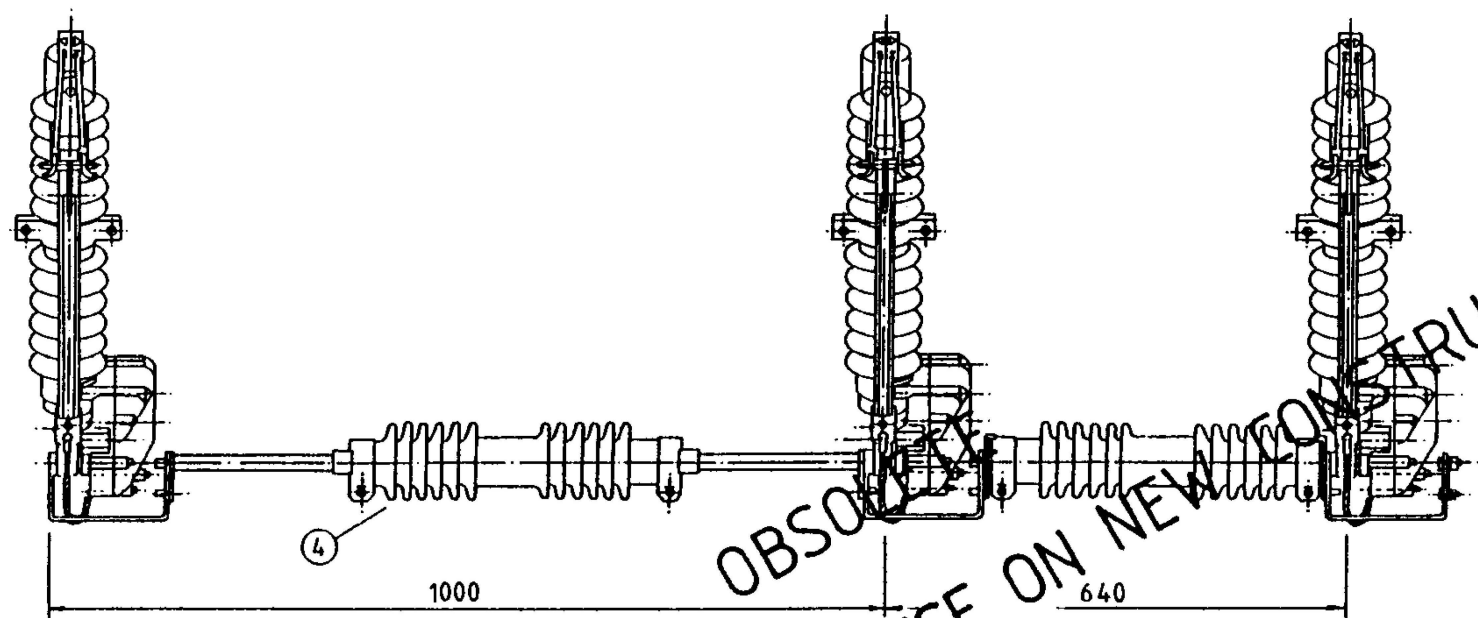


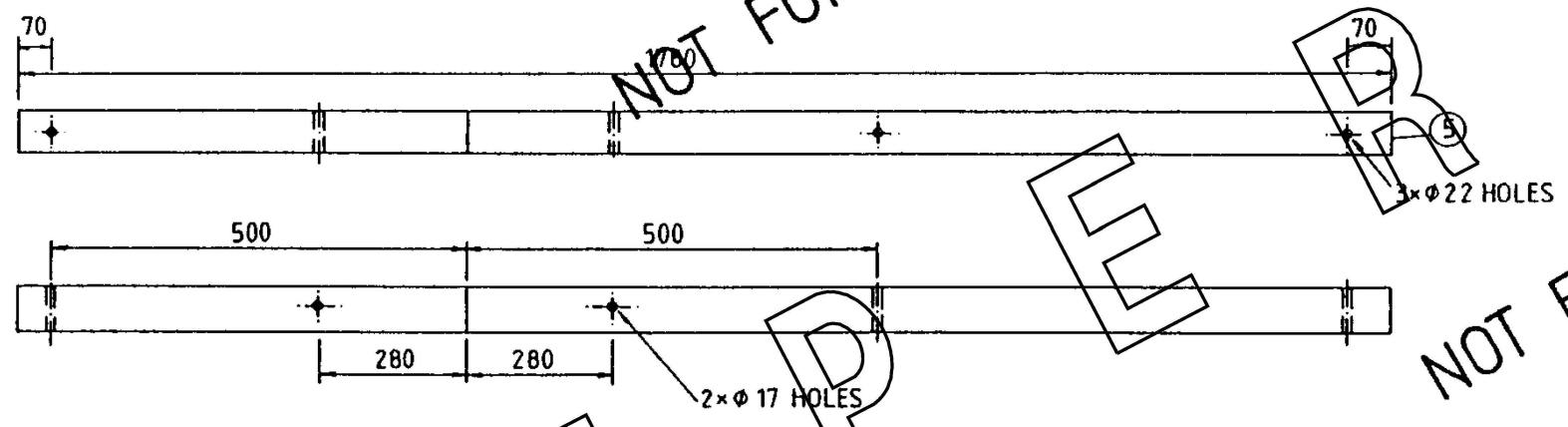
3RD ANGLE — DO NOT SCALE — REPORT ANY ERRORS, OMISSIONS TO DRAFTING OFFICE



38 DIA EYE IN RESET LEVER FOR HOOK STICK OPERATION. PULL DOWN TO RESET MECHANISM. PUSH UP FOR MANUAL TRIP.

NOTE 1 COIL SIZE 50 A. SMALLER COIL SIZES AVAILABLE.  
 2 SURGE DIVERTER TO BE CONNECTED BETWEEN COIL TERMINAL AND THE BODY OF THE SECTIONALISER.

MATERIAL - INSULATOR - PORCELAIN, GLAZED MUNSEL / GREY.  
 CONTACT ASSEMBLY - COPPER ALLOY AND BRONZE.  
 MOUNTING BRACKET - F.M.S. GALVANISED.



SECTIONALISER MOUNTING CROSSARM.

NOTE:- USE 100x100x2440 BLANK CROSSARM & CUT-OFF 660mm. ON COMPLETION OF SAWING, THE TIMBER SHALL BE SEALED ON THE END GRAIN WITH A SUITABLE WOOD PRESERVING COMPOUND AN APPROVED PRESERVATIVE IS "MOBILLER M" WAX EMULSION.

ITEM	DESCRIPTION	ST CODE	DWG No.
5	MOUNTING CROSSARM	16196	
4	SOLID CORE PORCELAIN INSULATORS INTERPHASE		
3	CROSSARM BRACKET	9274	S01-01-04-06
2	BODY OIL FILLER PLUG		
1	BLADE DROP ARM		

MATERIALS SCHEDULE

S

OBSOLETE NOT FOR USE ON NEW CONSTRUCTION

OBSOLETE NOT FOR USE ON NEW CONSTRUCTION

NO	DESCRIPTION	DRN	DATE	CKD	APPD
3	TITLEBLOCK & DRAWING NUMBER FORMATTED				
2	OBSOLETE NOTE ADDED				
1	TITLE & No. CHANGED				

**PowerWater**  
NORTHERN TERRITORY

DES	G. McSHANAG	POWER STANDARD DRAWING		
DRN	T.R.	<b>SWITCHGEAR SECTIONALISER</b>		
CKD	-			
APPD	-			
SCALE	-			
ISSUED	13/2/88	A3	DRAWING NUMBER	S01-01-06-04
ALL DIM.	IN mm			
DRAFTING STANDARD TO A.S.1100		CAD PRODUCT - DO NOT AMEND MANUALLY		<span style="border: 1px solid black; padding: 2px;">3</span> AMDT