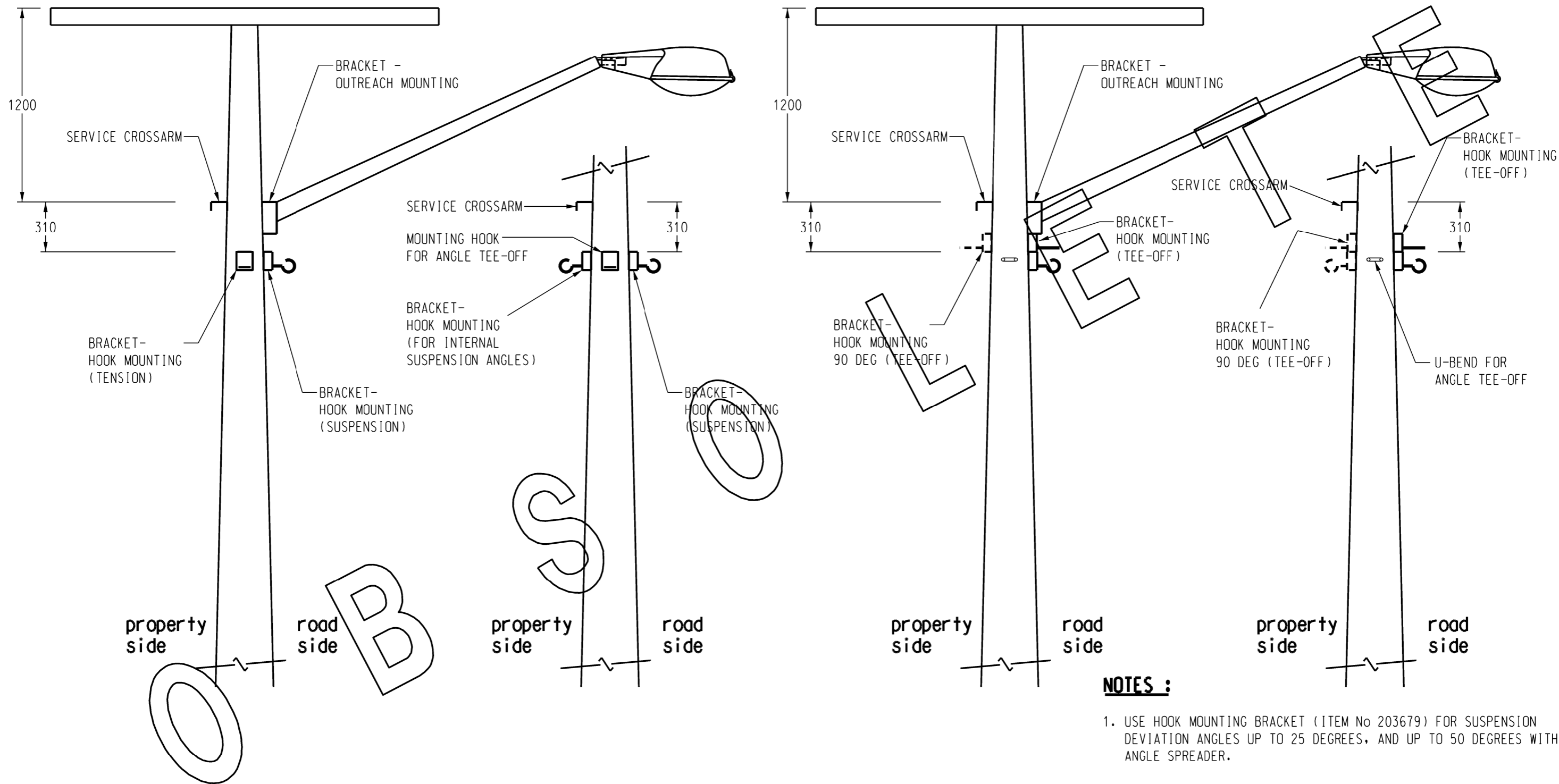


3RD ANGLE -DO NOT SCALE - REPORT ANY ERRORS, OMISSIONS TO DRAFTING OFFICE



**NOTES :**

1. USE HOOK MOUNTING BRACKET (ITEM No 203679) FOR SUSPENSION DEVIATION ANGLES UP TO 25 DEGREES, AND UP TO 50 DEGREES WITH ANGLE SPREADER.
2. TO CALCULATE POSITION OF BUNDLED CABLE ON POLE FOR SUSPENSION CONSTRUCTION ADD 200mm FROM TOP OF HOOK MOUNTING BRACKET.

2	TITLEBLOCK & DRAWING NUMBER FORMATTED						
1	REDRAWN ON CAD						
		K.T. A.D.	DEC'19 MAY'98	C.C. R.I.	C.C. F.R.		
NO	DESCRIPTION	DRN	DATE	CKD	APPD		
AMENDMENTS							



DES	B.T.KENT	POWER STANDARD DRAWING	
DRN	A.DAVIS	ASSEMBLIES	
CKD	R.INNES	LV - ABC	
APPD	F.ROBSON	HV / LV POLE TOP ARRANGEMENT	
SCALE	N.T.S.	BRACKET - MOUNTING POSITION	
ISSUED	MAY'98	A3	DRAWING NUMBER S04-02-01-03
ALL DIM. IN mm			
DRAFTING STANDARD TO A.S.1100		CAD PRODUCT - DO NOT AMEND MANUALLY	

