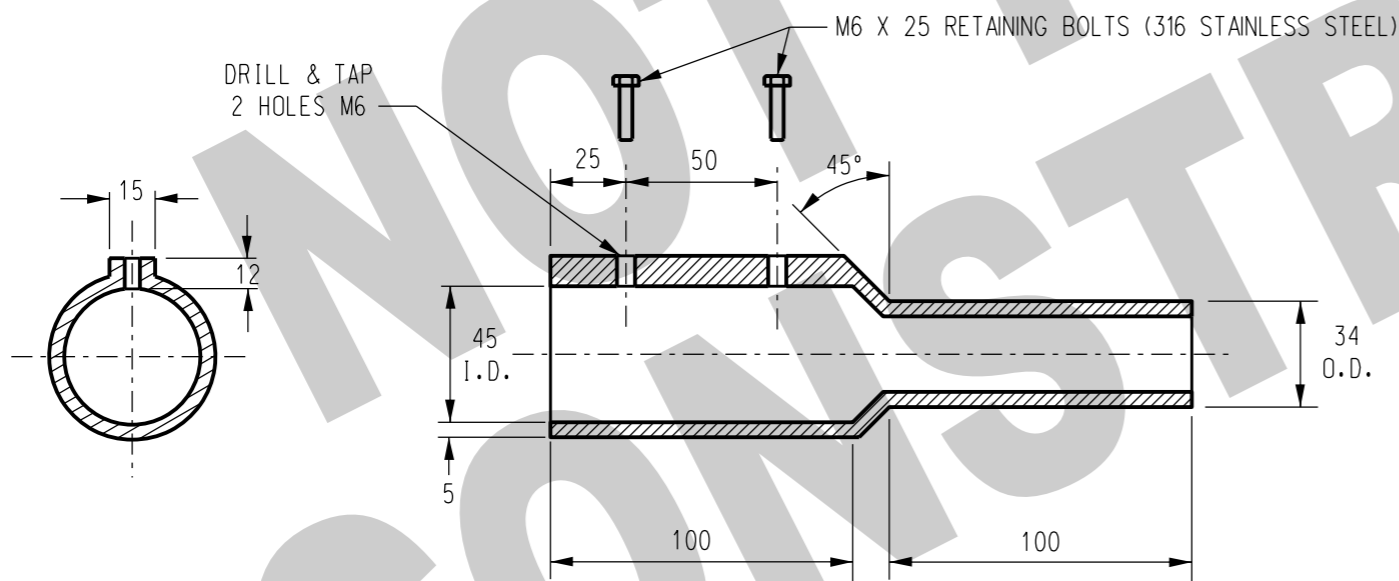


ITEMS - 5 & 12

LUMINAIRE SHOWN IS ILLUSTRATIVE ONLY

SCALE: 1:5



ITEM 17 - SPIGOT ADAPTOR ALUMINIUM OR HDG STEEL 45-34mm

SCALE: 1:2.5

NOTES

1. LUMINAIRES ARE TO BE SUPPLIED WITHOUT P.E. CELLS.
2. ANODISED ALUMINIUM BODY THICKNESS TO BE 1.2mm.
3. PHOTO ELECTRIC CELL CAVITY TO BE ORIENTED AS SHOWN.
4. STAINLESS STEEL BRACKET SECURING SCREWS TO BE SUPPLIED FOR BOTH LUMINAIRE AND SPIGOT ADAPTOR.
5. LUMINAIRE TO COMPLY WITH AS 3771 FOR CATEGORY 'B' ROAD LUMINAIRES.
6. LUMINAIRES ARE TO BE SUPPLIED WITHOUT IGNITERS.
7. INTERNAL SURFACES OF THE SPIGOT ADAPTOR ARE TO BE SMOOTH AND WITHOUT SHARP EDGES TO PERMIT THE PULLING OF CABLES WITHOUT DAMAGE TO THE INSULATION.
8. ITEM 17 HOT DIPPED GALVANIZING SHALL BE TO AS 4680, 450g/SQ.M

17	ADAPTOR, SPIGOT ALUMINIUM OR HDG STEEL 45-34mm.	6544
15	PHOTOELECTRIC LIGHTING CONTROL CELL - S03-01-05-10	503532
13	LAMP, H.P.S.V. 70W INTERNAL IGNITER.	108993
12	LUMINAIRE, H.P.S.V. 70W WITH P.E. CELL SOCKET.	11759
7	LAMP, M.V. 125W.	6791
5	LUMINAIRE, M.V. 125W.	11700
3	LAMP, M.V.80W.	10389
ITEM	DESCRIPTION	ITEM NUMBER

13	UPDATED TITLE & ITEM 15. REMOVED ITEMS 1, 2, 4, 6, 8, 9, 10, 11, 14 & 16. NOT FOR NEW CONSTRUCTION.	A.N.	AUG'21	A.N.	B.V.
12	TITLEBLOCK & DRAWING NUMBER FORMATTED	K.T.	FEB'19	C.C.	C.C.
11	ITEM 17 UPDATED, NOTE 8 ADDED, NEW DRAWING FRAME	A.T.	AUG'16	I.B.	B.C.
10	REMOVE SPIGOT ANGLE, OUTREACH HAD 5°UPLIFT	R.G.I.	JAN'97	A.G.B.	F.R.R.
9	NOTES 4,7, MATERIALS LIST, LUMINAIRE & SPIGOT DETAILS AMENDED	J.A.L.	NOV'95	M.W.B.	P.J.D.
8	NOTES AMENDED, ITEMS, 2, 6, 9, 10, 12, 13 AMENDED	GMCK	MAY'93	N.S.	B.T.K.
7	MANUFACTURERS PART NUMBERS DELETED, SYLVANIA REFERENCE REMOVED	GMCK	JUN'92	N.S.	B.T.K.
6	NOTE 6 AMENDED	R.T.F.	FEB'91	N.S.	-
NO	DESCRIPTION	DRN	DATE	CKD	APPD
AMENDMENTS					



DES	-	POWER STANDARD DRAWING		
DRN	HT	LUMINAIRE AND LAMPS		
CKD	G.S.	MINOR ROADS		
APPD	B.KENT	70, 80 AND 125W		
SCALE	AS SHOWN	MERCURY VAPOUR - HPSV		
ISSUED	NOV'88	A3	DRAWING NUMBER	S03-01-04-01
ALL DIM.	IN mm			
DRAFTING STANDARD TO A.S.1100		CAD PRODUCT - DO NOT AMEND MANUALLY		

