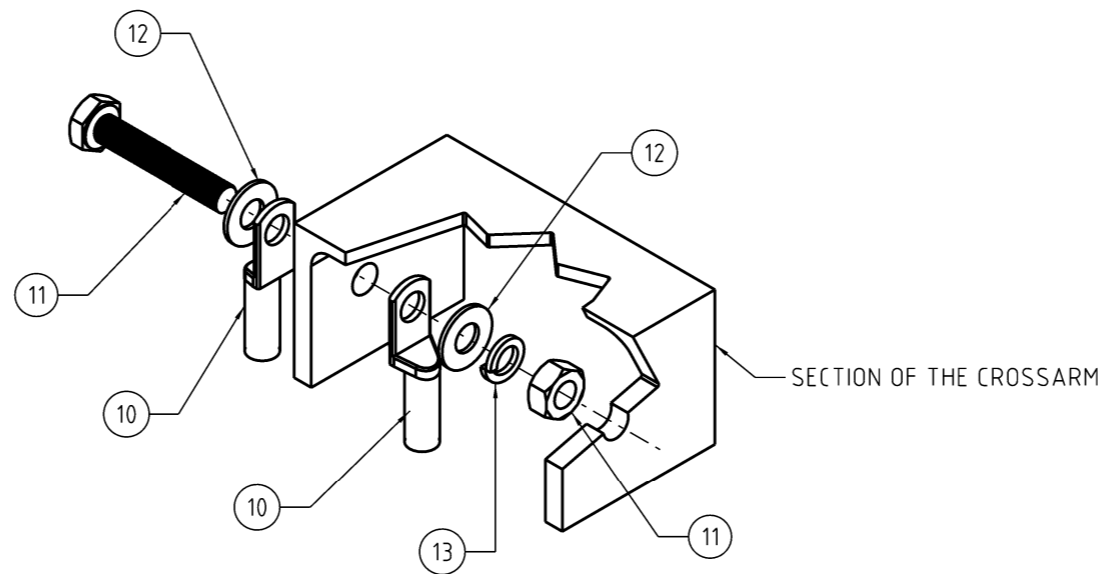


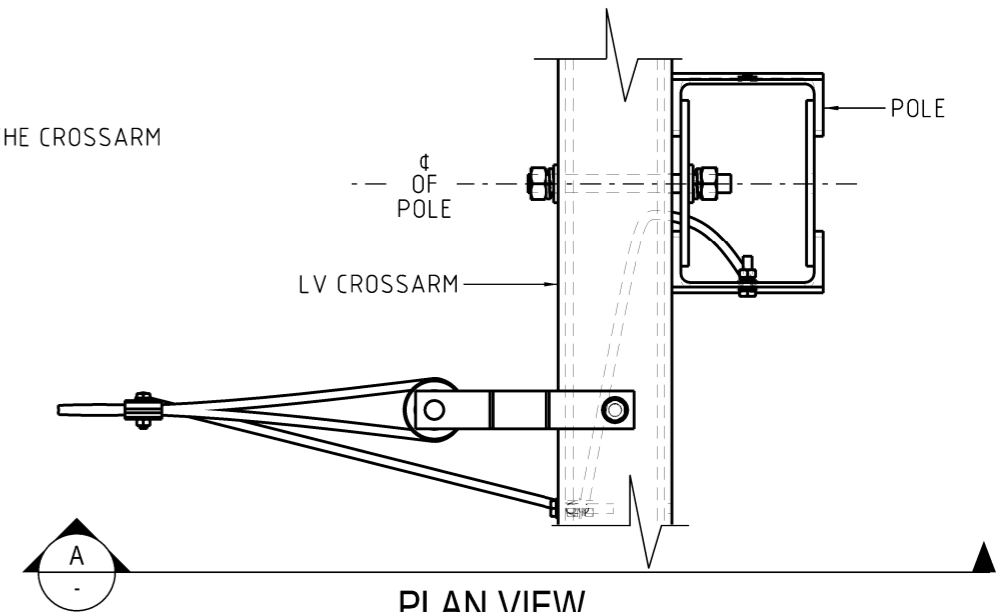
ISOMETRIC VIEW

SCALE N.T.S.

TERMINATION - LV SHACKLE - TYPE 'ST'

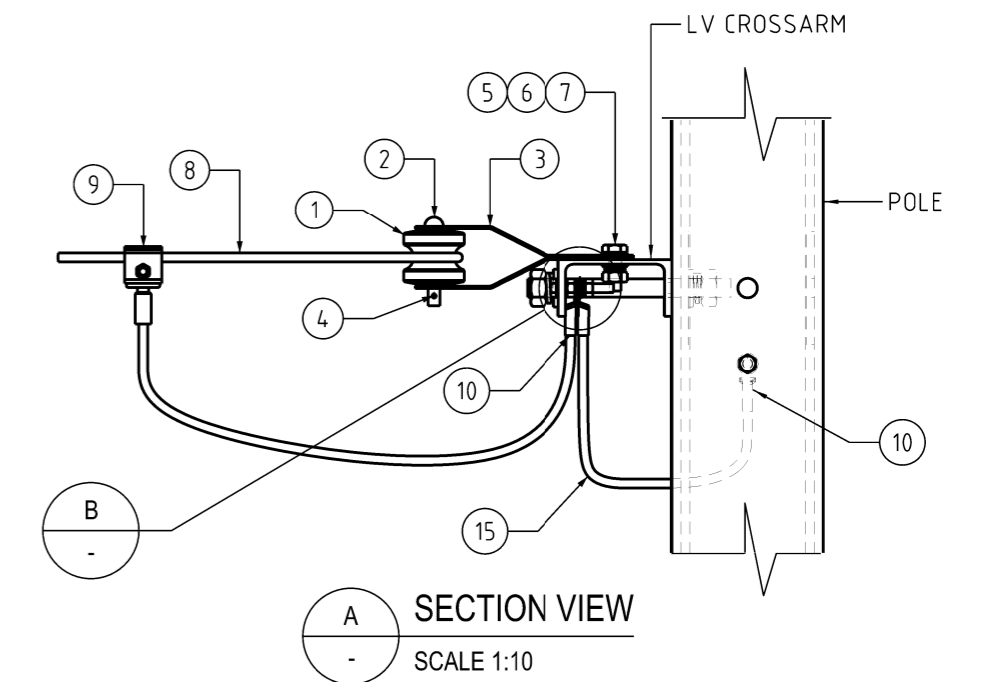


B
-
DETAIL ISOMETRIC VIEW
SCALE N.T.S.



PLAN VIEW

SCALE 1:10



A
-
SECTION VIEW
SCALE 1:10

TAG No.	QTY	DESCRIPTION	ITEM NUMBER	DRAWING REFERENCE
15	AR	CABLE INSULATED Cu Y/Gr 70SQ mm	401059	S02-01-01-23
14	1	M12 NUT	TBA	-
13	2	M12 SPRING WASHER	239616	S01-01-04-43
12	4	M12 FLAT WASHER	400832	S01-01-04-43
11	2	M12 x 50 BOLT & NUT	503669	S01-01-04-43
10	3	COPPER CRIMP LUG	402020	S01-01-04-17
9	1	CLAMP - NEUTRAL BOND	2147	S01-01-04-17
8	1	PREFORMED DEADEND	-	S01-01-04-18
7	1	M16 SPRING WASHER	114322	S01-01-04-43
6	2	M16 FLAT WASHER	114298	S01-01-04-43
5	1	M16 x 50 BOLT & NUT	114504	S01-01-04-43
4	1	SPLIT-PIN - HUMP-BACK	3160	S01-01-04-02
3	2	SHACKLE STRAP	3186	S01-01-04-16
2	1	SHACKLE PIN	12112	S01-01-04-16
1	1	SHACKLE INSULATOR - TYPE 'SH LV 2'	3293	S01-01-03-01
MATERIAL SCHEDULE				

NO	DESCRIPTION	DRN	DATE	CKD	APPD
11	LUG ARRANGEMENT AMENDED, TAG 15 ADDED	J. R.	NOV'23	B. C.	B. V.
10	ITEM 11, 12, 13, & 14 ADDED TO MATERIAL SCHEDULE	C. C.	APR'19	B. V.	B. C.
9	UPDATE BORDER	C. C.	FEB'11	A. T.	S. C.
8	REDRAWN, HV ASSEMBLIES REMOVED, LVS TRAIHT THROUGH ASSEMBLIES ADDED	gmck	DEC'91	x	N. S.



DES -		POWER STANDARD DRAWING	
DRN	GMCK	ASSEMBLIES LV CONDUCTOR LINE PIN AND SHACKLE INSULATOR	
CKD	N. STUBBS		
APPD	B. T. KENT		
SCALE	AS SHOWN		
ISSUED	DECEMBER. 1991	A3	DRAWING NUMBER S01-02-01-03
ALL DIM. IN mm			
DRAFTING STANDARD TO A. S. 1100		CAD PRODUCT - DO NOT AMEND MANUALLY	

