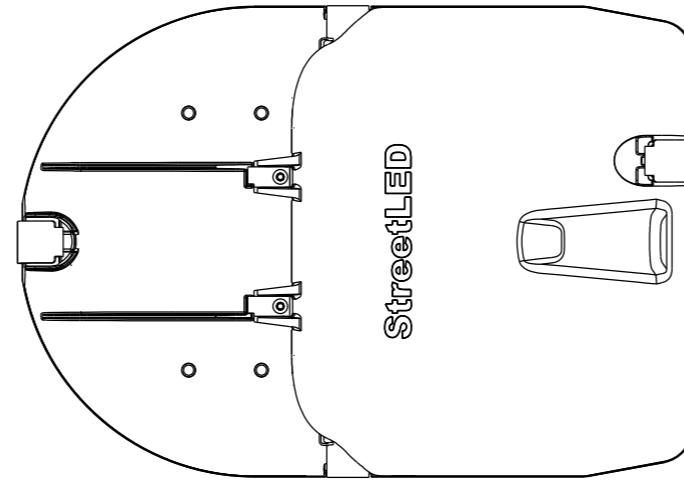
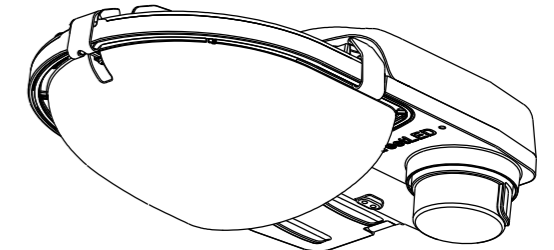


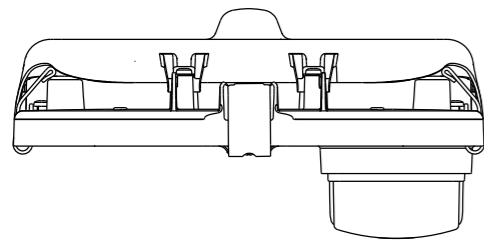
ISOMETRIC VIEW



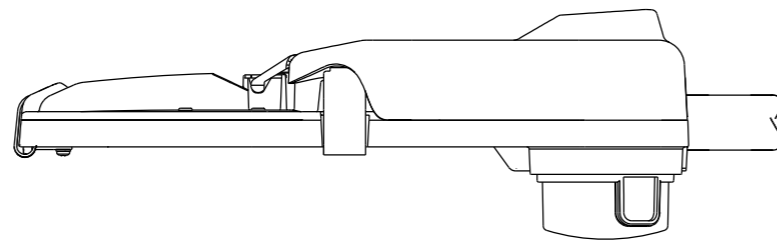
TOP VIEW



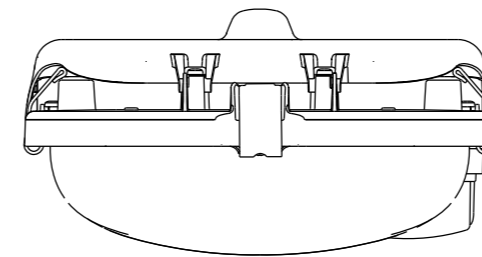
ISOMETRIC VIEW



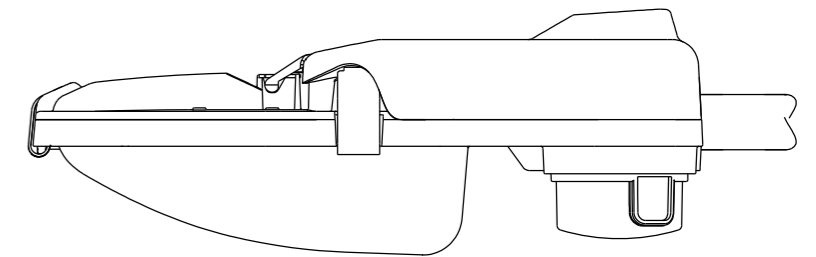
FRONT VIEW



SIDE VIEW



FRONT VIEW



SIDE VIEW

ITEM 1: 14W AEROSCREEN VISOR LED STREETLIGHT

ITEM 2: 14W SEMI CUT-OFF VISOR LED STREETLIGHT

NOTES:

1. MOUNTING ARRANGEMENT TO SUIT OUTREACH SPIGOTS SHOWN ON S03-01-01-10
2. AEROSCREEN VISORS TO BE USED ON FLIGHTPATHS.
3. STREETLIGHTS TO COMPLY WITH STSP 03-001

ITEM REF.	ITEM NUMBER	DESCRIPTION
1	504733	STREET LED 3 14W LUMINAIRE C/W AEROSCREEN VISOR WITH SHORTING CAP
2	504732	STREET LED 3 14W LUMINAIRE C/W SEMI CUT-OFF VISOR WITH SHORTING CAP
3	6908	REPLACEMENT 3 PIN PE CELL
4	503199	REPLACEMENT 3 PIN SHORTING CAP

NO	DESCRIPTION	DRN	DATE	CKD	APPD
4	REPLACED TABLE & IMAGERY, ADDED NOTES 1, 2 & 3, UPDATED TITLE.	A.N.	SEP'21	A.N.	B.V.
3	TITLEBLOCK & DRAWING NUMBER FORMATTED	K.T.	FEB'19	C.C.	C.C.
2	LED SPEC UPDATED	K.T.	JUN'16	I.B.	B.C.
1	ITEM NUMBER UPDATE	C.C.	FEB'14	A.T.	B.C.
0	ISSUED FOR CONSTRUCTION	A.T.	SEP'13	B.C.	B.C.
AMENDMENTS					



DES	B.CHEUNG	POWER STANDARD DRAWING	
DRN	A.TAYLOR	MINOR ROADS LED REPLACEMENT FOR 80W MERCURY VAPOUR	
CKD	B.CHEUNG		
APPD	B.CHEUNG		
SCALE	NTS		
ISSUED	SEP'13	A3	DRAWING NUMBER S03-01-04-13
ALL DIM.	IN mm		
DRAFTING STANDARD TO A.S.1100		CAD PRODUCT - DO NOT AMEND MANUALLY	

