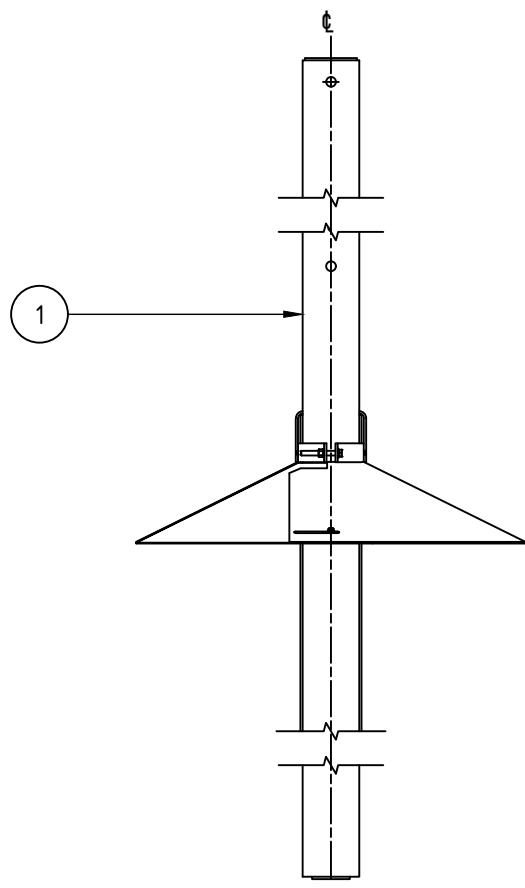
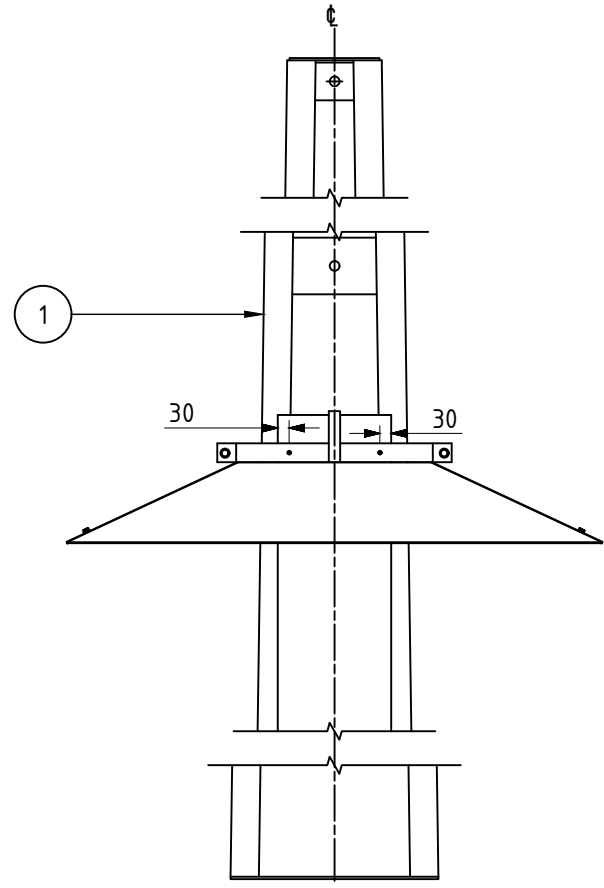


**TOP VIEW**  
SCALE -1:20



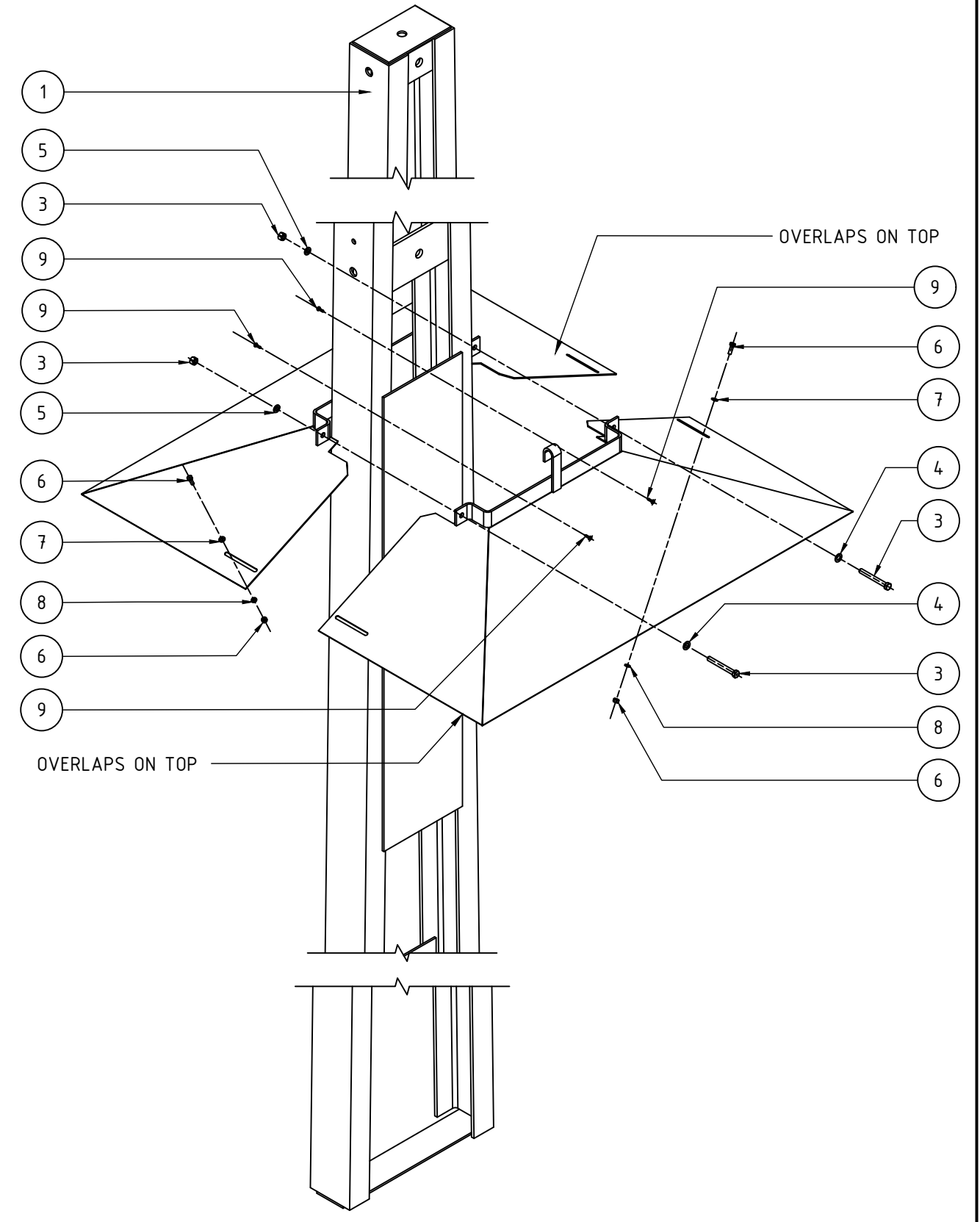
**FRONT VIEW**  
SCALE -1:20



**SIDE VIEW**  
SCALE -1:20

**NOTES**

1. HOOD ASSEMBLY IS TO BE INSTALLED MINIMUM 2500mm ABOVE GROUND LEVEL, AND PREFERABLY AT THE TOP OF THE ANTICLIMB PLATE.
2. HOOD PIECES ARE DESIGNED TO HANG ON TOP OF ANTICLIMB PLATE OR CROSS BRACE TO ASSIST ASSEMBLY. PIECES SHALL OVERLAP AND BE FASTENED TOGETHER SECURELY.
3. HOOD ASSEMBLY CONSISTS OF TWO EQUAL HALVES DESIGNED TO OVERLAP AND FIT VARIOUS POLE DIMENSIONS.  
VER 1. TO FIT TO A, B AND C POLES LESS THAN 330mm ACROSS WEAK SIDE OF POLE.  
VER 2. TO FIT B, C AND D POLES ABOVE 330mm AND LESS THAN 510mm ACROSS THE WEAK SIDE OF THE POLE.
4. AFTER ASSEMBLY, HOOD SHALL BE FIXED IN POSITION BY POWDER ACTUATED FASTENERS THROUGH COLLAR APPROXIMATELY 30mm IN FROM EDGE OF ANTICLIMB PLATE BOTH SIDE OF POLE. (USE HILTI X-CR18P8 OR EQUIVALENT)



**ISOMETRIC VIEW**  
SCALE -1:15

0	ISSUED FOR CONSTRUCTION.	J.R.	FEB'25	B.B.	B.V.
NO	DESCRIPTION	DRN	DATE	CKD	APPD
AMENDMENTS					



DES	B.VANDERSTELT	POWER STANDARD DRAWING			
DRN	J.REYES	ASSEMBLIES HOOD			
CKD	B. BAYRAM	ANTICLIMB DEVICE			
APPD	B.VANDERSTELT	GENERAL ASSEMBLY			
SCALE	AS SHOWN	SHEET 1 OF 2			
ISSUED	FEB'25	A3	DRAWING NUMBER	S01-02-01-76	0
ALL DIM.	IN mm				
DRAFTING STANDARD TO A.S.1100			CAD PRODUCT - DO NOT AMEND MANUALLY		AMDT

9	4	POWDER ACTUATED FASTENER(HILTI X-CR18P8)	-	-
8	2	M8 SPRING WASHERS	409516	S01-01-04-43
7	2	M8 ROUND WASHER	500767	S01-01-04-43
6	2	M8 x 25 BOLT WITH NUT	407986	S01-01-04-43
5	2	M12 SPRING WASHERS	239616	S01-01-01-43
4	2	M12 ROUND WASHER	400832	S01-01-01-43
3	2	M12 x 50 BOLT WITH NUT	502676	S01-01-01-43
2	1	ANTICLIMB HOOD DEVICE (PAIR)	505170	S01-02-01-76
1	1	POLE	-	-
ITEM	QTY	DESCRIPTION	ITEM NUMBER	DRG NUMBER
PARTS LIST - VERSION 1 - POLE TYPE A				



9	4	POWDER ACTUATED FASTENER(HILTI X-CR18P8)	-	-
8	2	M8 SPRING WASHERS	409516	S01-01-04-43
7	2	M8 ROUND WASHER	500767	S01-01-04-43
6	2	M8 x 25 BOLT WITH NUT	407986	S01-01-04-43
5	2	M12 SPRING WASHERS	239616	S01-01-01-43
4	2	M12 ROUND WASHER	400832	S01-01-01-43
3	2	M12 x 50 BOLT WITH NUT	502676	S01-01-01-43
2	1	ANTICLIMB HOOD DEVICE (PAIR)	505171	S01-02-01-76
1	1	POLE	-	-
ITEM	QTY	DESCRIPTION	ITEM NUMBER	DRG NUMBER
PARTS LIST - VERSION 2 - POLE TYPE B				

9	4	POWDER ACTUATED FASTENER(HILTI X-CR18P8)	-	-
8	2	M8 SPRING WASHERS	409516	S01-01-04-43
7	2	M8 ROUND WASHER	500767	S01-01-04-43
6	2	M8 x 25 BOLT WITH NUT	407986	S01-01-04-43
5	2	M12 SPRING WASHERS	239616	S01-01-01-43
4	2	M12 ROUND WASHER	400832	S01-01-01-43
3	2	M12 x 120 BOLT WITH NUT	505137	S01-01-01-43
2	1	ANTICLIMB HOOD DEVICE (PAIR)	505170	S01-02-01-76
1	1	POLE	-	-
ITEM	QTY	DESCRIPTION	ITEM NUMBER	DRG NUMBER
PARTS LIST - VERSION 1 - POLE TYPE B				

9	4	POWDER ACTUATED FASTENER(HILTI X-CR18P8)	-	-
8	2	M8 SPRING WASHERS	409516	S01-01-04-43
7	2	M8 ROUND WASHER	500767	S01-01-04-43
6	2	M8 x 25 BOLT WITH NUT	407986	S01-01-04-43
5	2	M12 SPRING WASHERS	239616	S01-01-01-43
4	2	M12 ROUND WASHER	400832	S01-01-01-43
3	2	M12 x 120 BOLT WITH NUT	505137	S01-01-01-43
2	1	ANTICLIMB HOOD DEVICE (PAIR)	505171	S01-02-01-76
1	1	POLE	-	-
ITEM	QTY	DESCRIPTION	ITEM NUMBER	DRG NUMBER
PARTS LIST - VERSION 2 - POLE TYPE C				

9	4	POWDER ACTUATED FASTENER(HILTI X-CR18P8)	-	-
8	2	M8 SPRING WASHERS	409516	S01-01-04-43
7	2	M8 ROUND WASHER	500767	S01-01-04-43
6	2	M8 x 25 BOLT WITH NUT	407986	S01-01-04-43
5	2	M12 SPRING WASHERS	239616	S01-01-01-43
4	2	M12 ROUND WASHER	400832	S01-01-01-43
3	2	M12 x 140 BOLT WITH NUT	505138	S01-01-01-43
2	1	ANTICLIMB HOOD DEVICE (PAIR)	505170	S01-02-01-76
1	1	POLE	-	-
ITEM	QTY	DESCRIPTION	ITEM NUMBER	DRG NUMBER
PARTS LIST - VERSION 1 - POLE TYPE C				

9	4	POWDER ACTUATED FASTENER(HILTI X-CR18P8)	-	-
8	2	M8 SPRING WASHERS	409516	S01-01-04-43
7	2	M8 ROUND WASHER	500767	S01-01-04-43
6	2	M8 x 25 BOLT WITH NUT	407986	S01-01-04-43
5	2	M12 SPRING WASHERS	239616	S01-01-01-43
4	2	M12 ROUND WASHER	400832	S01-01-01-43
3	2	M12 x 160 BOLT WITH NUT	505164	S01-01-01-43
2	1	ANTICLIMB HOOD DEVICE (PAIR)	505171	S01-02-01-76
1	1	POLE	-	-
ITEM	QTY	DESCRIPTION	ITEM NUMBER	DRG NUMBER
PARTS LIST - VERSION 2 - POLE TYPE D				

							 NORTHERN TERRITORY	DES	B.VANDERSTELT	POWER STANDARD DRAWING			
								DRN	J. REYES	ASSEMBLIES HOOD			
								CKD	B.BAYRAM	ANTICLIMB DEVICE			
								APPD	B.VANDERSTELT	GENERAL ASSEMBLY			
								SCALE	AS SHOWN	SHEET 2 OF 2			
								ISSUED	FEB'25	A3	DRAWING NUMBER	S01-02-01-76	
								ALL DIM. IN mm	DRAFTING STANDARD TO A.S.1100				
								AMENDMENTS					