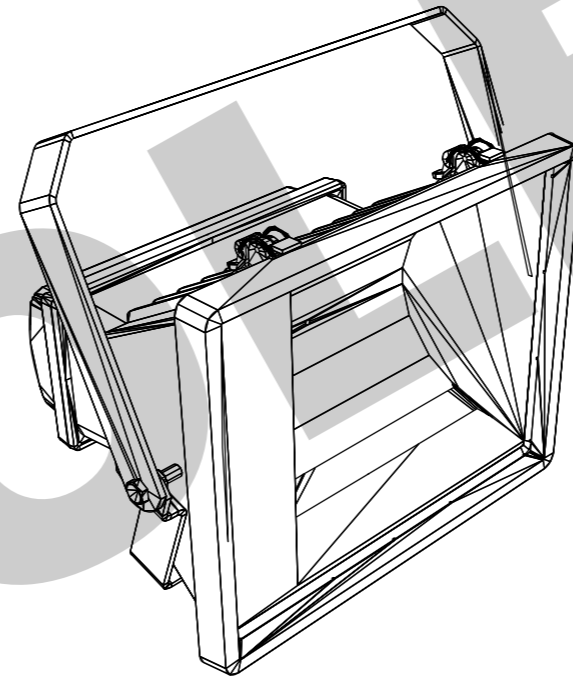


400W SENTRY FLOOD



250/400W SYLFLOOD

**ITEM NUMBER**  
 400W METAL HALIDE FLOOD LIGHT: 406922  
 250W METAL HALIDE FLOOD LIGHT: 411720  
 LAMP, 400W METAL HALIDE FLOOD LIGHT: 411718  
 LAMP, 250W METAL HALIDE FLOOD LIGHT: 411719

6	OBSOLETE	A.N.	AUG'21	C.C.C.	B.V.
5	TITLEBLOCK & DRAWING NUMBER FORMATTED	K.T.	FEB'19	C.C.	C.C.
4	ADDED TITLES & LAMP 1 TO STOCK CODES	C.M.	AUG'10	A.T.	S.C.
3	250W FLOODLIGHT ADDED. GLOBE ITEM NUMBER ADDED. GEAR & CAST BOX REMOVED.	J.C.	AUG'10	A.T.	S.C.
NO	DESCRIPTION	DRN	DATE	CKD	APPD
AMENDMENTS					



DES	A.TAYLOR	POWER STANDARD DRAWING			
DRN	J.COPPINS	<b>FLOOD LIGHT FITTING FOR PEDESTRIAN CROSSING 250 - 400W</b>			
CKD	A.TAYLOR				
APPD	S.C.				
SCALE	N.T.S				
ISSUED	AUG'20	<b>A3</b>	<b>DRAWING NUMBER</b>	<b>S03-01-04-11</b>	
ALL DIM. IN mm				CAD PRODUCT - DO NOT AMEND MANUALLY	
DRAFTING STANDARD TO A.S.1100		AMDT		6	