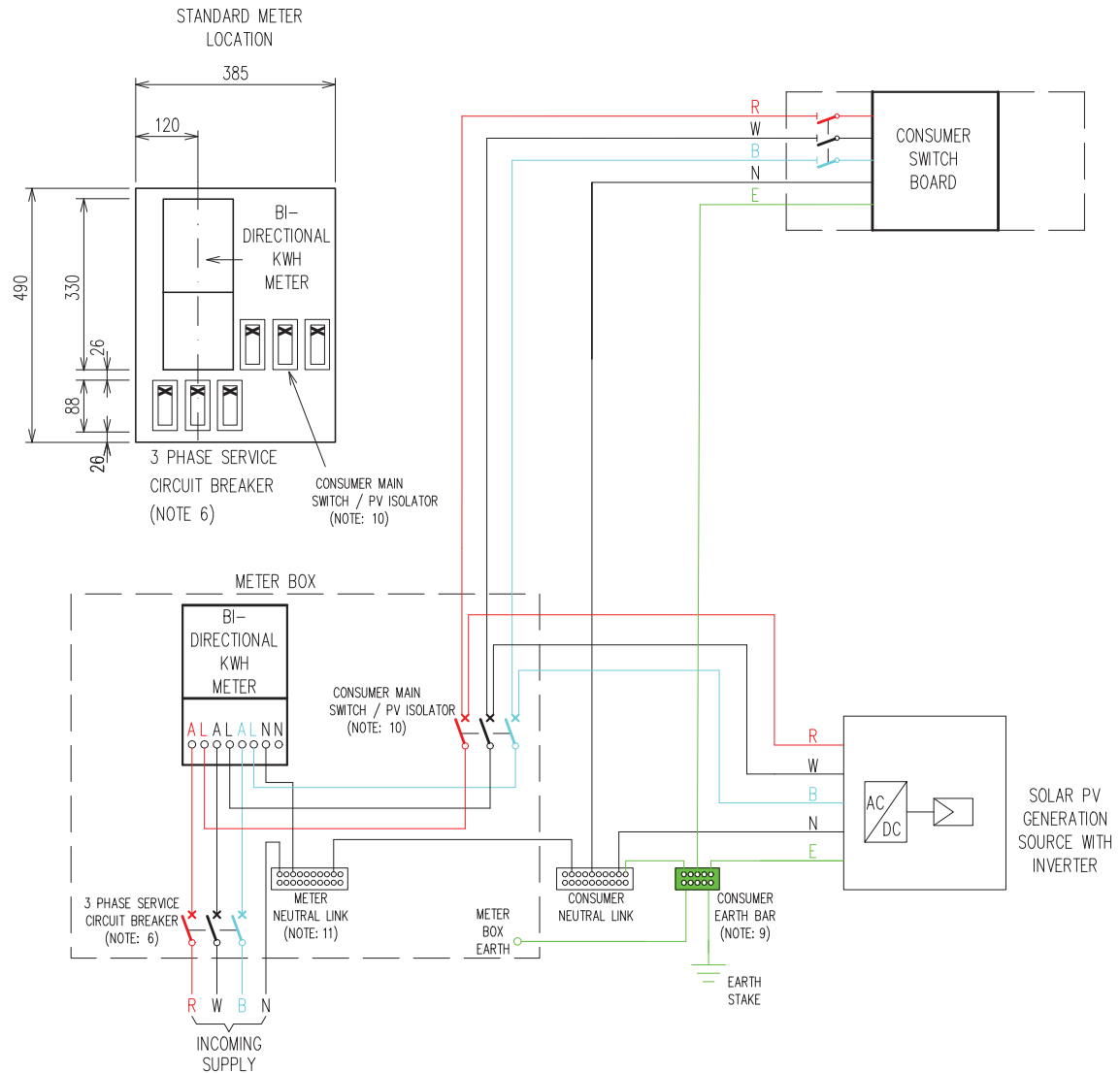


NOTES :

1. REMEDIATION WORK ONLY – THIS DRAWINGS IS NOT TO BE USED FOR NEW INSTALLATION. FOR NEW INSTALLATION REFER TO S11-02-07-49 OR S11-02-07-50.
2. THIS DRAWINGS IS ONLY TO BE USED TO CONVERT GROSS METERED INSTALLATIONS TO NET METERING. WHERE THERE IS AN IMPORT METER AND AND EXPORT METER OR AN IMPORT / EXPORT METER WITH A SEPARATE METER SENDING PULSES TO THE IMPORT / EXPORT METER. (TO REMEDY NON STANDARD METERING DUE TO ELEVATED FEED IN TARIFF).
3. THE CONVERSION WILL ALWAYS RESULT IN THE REMOVAL OF ONE METER AND ONLY A SINGLE REVENUE METER WILL REMAIN FOR THE CUSTOMER.
4. THE ISOLATORS SHALL HAVE INBUILT PROVISION TO BE LOCKABLE IN THE "OFF" POSITION. FOR A THREE PHASE PV INSTALLATION, THREE PHASE ISOLATORS ARE TO BE PROVIDED.
5. THE CIRCUIT BREAKERS SHALL HAVE INBUILT LOCKING PROVISION TO BE LOCKABLE IN THE "OFF" POSITION. FOR A THREE PHASE PV INSTALLATION, THREE PHASE CIRCUIT BREAKER TO BE PROVIDED.
6. THREE PHASE SERVICE PADLOCKABLE CIRCUIT BREAKER WITH SEALABLE ENCLOSURE.
7. THE METER PANEL AND ASSOCIATED SWITCHGEAR ARE TO COMPLY IN ALL RESPECT TO:
 - 7a – AS/NZS 5033:2021 – INSTALLATION AND SAFETY REQUIREMENTS FOR PHOTOVOLTAIC (PV) ARRAYS.
 - 7b – AS/NZS 5139:2019 – ELECTRICAL INSTALLATIONS – SAFETY OF BATTERY SYSTEM FOR USE WITH POWER CONVERSION EQUIPMENT.
 - 7c – NP010 ELECTRICITY METER MANUAL, SPECIFICALLY CHAPTER 8 (CONTROL0983).
8. ALL CONSUMERS WIRING AFTER THE LOAD SIDE OF THE METER SHALL COMPLY TO AS3000 AT ALL TIMES AND AS3010 WITH A CHANGEOVER SWITCH WHEN ADDITIONAL GENERATION IS INSTALLED.
9. THE EARTH CABLE FROM THE EARTH STAKE TO THE CONSUMERS SWITCHBOARD EARTH BAR SHALL BE CONTINUOUS AND UNBROKEN. THE EARTH CABLE SHALL BE CONNECTED TO THE METER BOX EARTH BY EXPOSING A SECTION OF THIS CABLE AND JOINING A CONNECTING CABLE BY AN ACCEPTED METHOD INCLUDING SOLDERING OR USE OF AN EARTH BLOCK. THE METER BOX EARTH POINT SHALL NOT BE USED AS A JUNCTION POINT AND ONLY SERVES AS A PURPOSE TO EARTH THE CABINET.
10. IF INSUFFICIENT SPACE ON THE METER PANEL, CUSTOMER MAIN SWITCH/PV ISOLATOR SHALL BE LOCATED ON CUSTOMER EQUIPMENT.
11. METER NEUTRAL LINK REQUIRED TO BE SEALED.



NO	DESCRIPTION	DRN	DATE	CKD	APPD
0	APPROVED FOR INSTALLATION	E.K.	AUG'23	B.C.	B.V.
AMENDMENTS					



DES	R.C.
DRN	E.K.
CKD	B.C.
APPD	B.V.
SCALE	N.T.S.
ISSUED	AUG'23
ALL DIM. IN mm	
DRAFTING STANDARD TO A.S.1100	

**REMEDATION SCHEMATIC FOR
NON STANDARD GROSS METER TO NET
METER INSTALLATION—THREE PHASE
CUSTOMER WITH THREE PHASE PV INVERTER**

A3 DRAWING NUMBER S11-02-07-56

CAD PRODUCT – DO NOT AMEND MANUALLY

