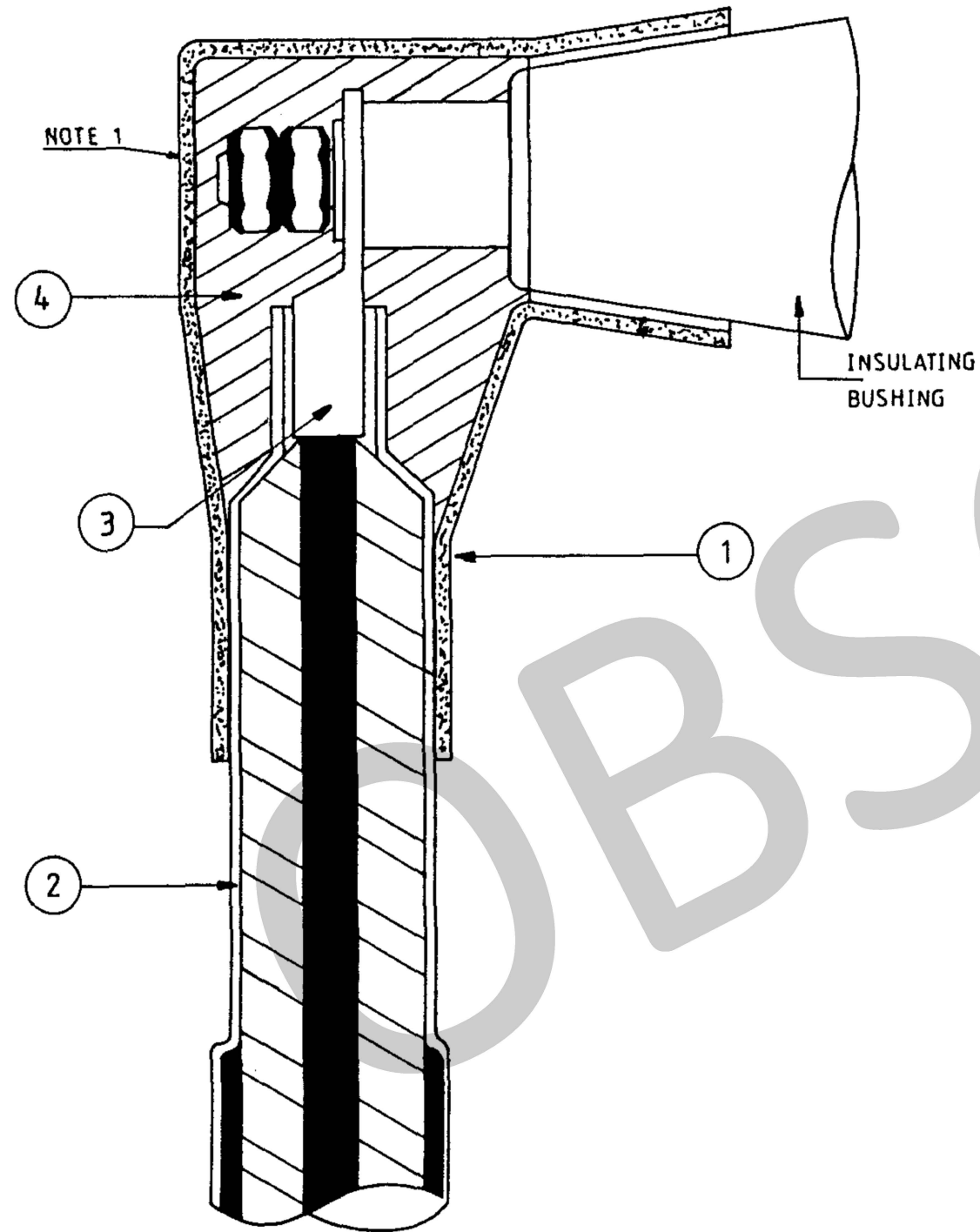


3RD ANGLE -- DO NOT SCALE -- REPORT ANY ERRORS, OMISSIONS TO DRAFTING OFFICE



ITEM	DESCRIPTION	CABLE SIZE	ITEM NUMBER	SIGMAFORM No	RAYCHEM No
1	H.V. MOLDED BOOT	10-35mm ²	3756	_____	EAKT 1508
		50-95mm ²	3772	BB-RB2	EAKT 1509
		120-300mm ²	3780	BB-RB3	EAKT 1510
2	H.V. HEATSHRINK TERMINATION	10-300mm ²	AS REQ. REF TO Drg S02-01-02-12 & S02-01-02-13		
3	COMPRESSION LUG	10-300mm ²	AS REQUIRED		
4	H.V. MASTIC TAPE	SUPPLIED WITH H.V. BOOT KIT.			

NOTE

1. 40mm CLEARANCE FROM EARTHED METALIC SURFACES TO OUTSIDE SURFACE OF BOOT MUST BE MAINTAINED FOR 11kV TERMINATION TO ACHIEVE BIL OF 95 kV.
2. PHASE TO PHASE CLEARANCE TO BE 75mm Min.

<p>5 WATERMARK ADDED</p> <p>4 TITLEBLOCK & DRAWING NUMBER FORMATTED</p> <p>3 REDRAWN TITLE AND DRAWING NUMBER CHANGED, TABLE ALTERED NOTES ADDED</p>						H.E.	FEB'20	B.C.	H.E.	<p>DES R. HAIGH</p> <p>DRN R.L.FINNEY</p> <p>CKD G.SCHUBERT</p> <p>APPD -</p> <p>SCALE -</p> <p>ISSUED 28/11/88</p> <p>ALL DIM. IN mm</p> <p>DRAFTING STANDARD TO A.S.1100</p>	<p>POWER STANDARD DRAWING</p> <p>CABLE JOINTING & TERMINATIONS</p> <p>TERMINATION - INDOOR</p> <p>BUSHING TYPE</p> <p>ASSEMBLY DETAIL</p>				
						K.T.	APR'19	C.C.	C.C.					<p>A3</p> <p>DRAWING NUMBER S02-02-02-05</p>	<p>5</p>
						-	NOV'88	-	-						
NO	DESCRIPTION	DRN	DATE	CKD	APPD	CAD PRODUCT - DO NOT AMEND MANUALLY									
AMENDMENTS															

PowerWater
NORTHERN TERRITORY