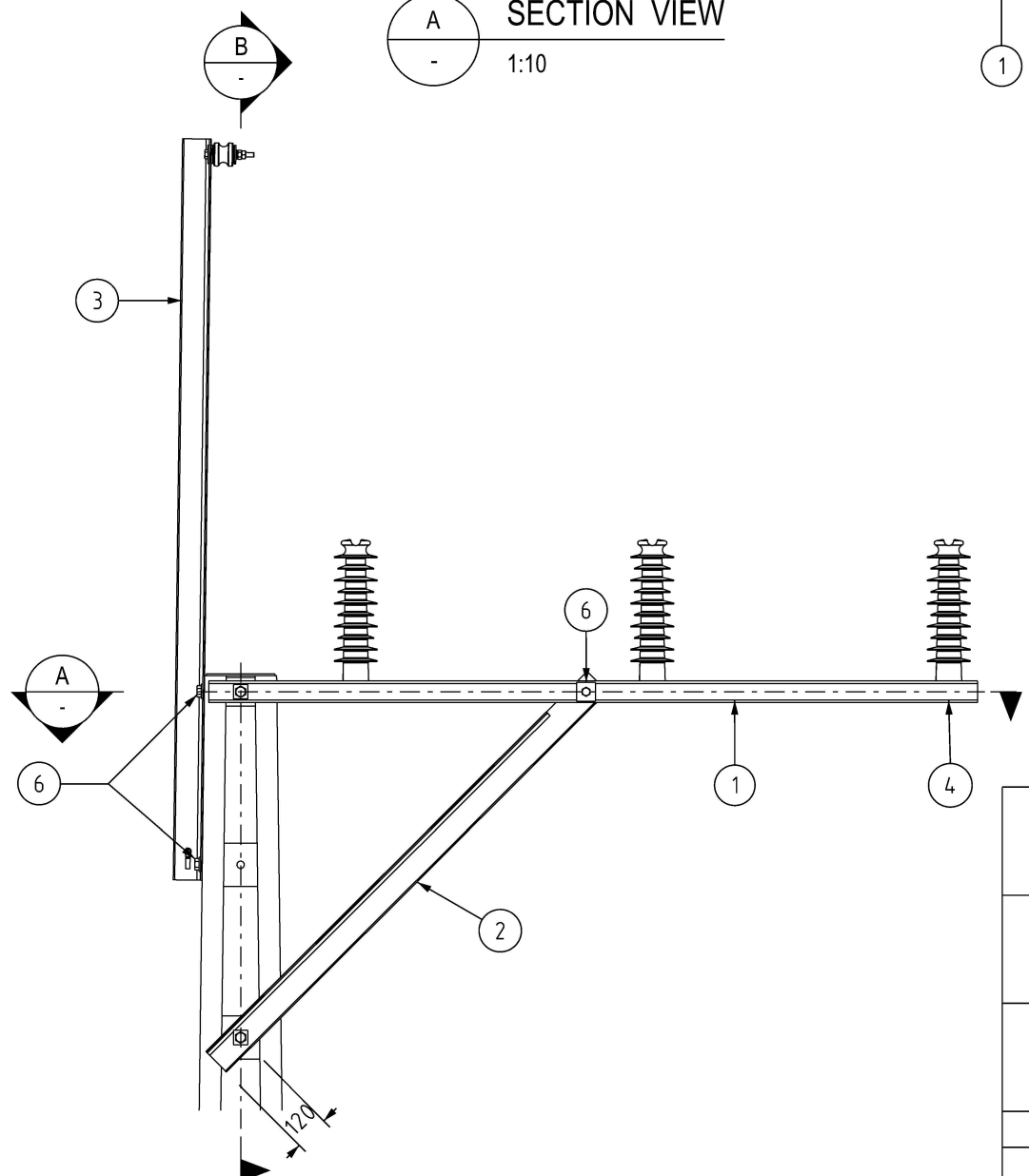
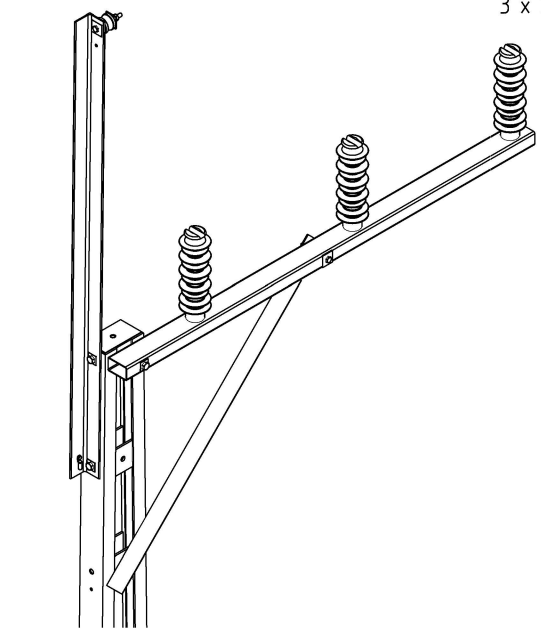


**A**  
SECTION VIEW  
1:10

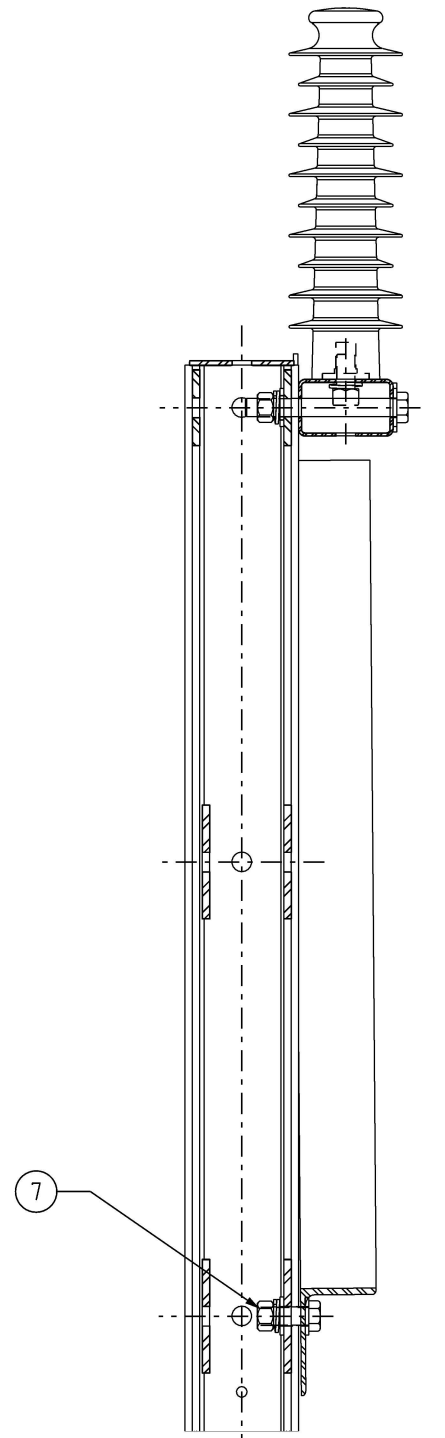


**FRONT ELEVATION**  
SCALE 1:20



**ISOMETRIC VIEW**  
N.T.S.

3 x 60 DIA., UNDERSIDE ONLY  
3 x 26 DIA., TOP SIDE ONLY



**B**  
SECTION VIEW  
1:10

ITEM	QTY.	DESCRIPTION	ITEM NUMBER	DRG NUMBER
7	1	M24x65 GALV. STEEL BOLT C/W NUT	400800	S01-01-04-43
	2	M24 GALV. STEEL SQUARE WASHER 75x75x5mm	298828	S01-01-04-43
	1	M24 GALV. STEEL SPRING WASHER	114330	S01-01-04-43
6	3	M16x180 GALV. STEEL BOLT C/W NUT	114561	S01-01-04-43
	6	M16 GALV. STEEL SQUARE WASHER 65x65x5mm	298695	S01-01-04-43
	3	M16 GALV. STEEL SPRING WASHER	114322	S01-01-04-43
5	1	M24x180 GALV. STEEL BOLT C/W NUT	400802	S01-01-04-43
	2	M24 GALV. STEEL SQUARE WASHER 75x75x5mm	298828	S01-01-04-43
	1	M24 GALV. STEEL SPRING WASHER	114330	S01-01-04-43
4	3	INSULATOR MOUNTING STUD, 40/30mm, M24	298745	S01-01-04-44
3	1	AERIAL RISER FOR LINE POLE	298638	S01-01-02-13
2	1	ALLEY BRACE 100x100x6 DURAGAL EQUAL ANGLE	298794	S01-01-04-38
1	1	ALLEY CROSSARM 125x75x4 DURAGAL RHS	298786	S01-01-02-10
ITEM	QTY.	DESCRIPTION	ITEM NUMBER	DRG NUMBER

MATERIAL SCHEDULE

NO	DESCRIPTION	DRN	DATE	CKD	APPD
5	IMAGERY REDRAWN. ADDED ITEMS 4, 5, 6, 7.	C.C.	NOV'21	A.N.	B.V.
4	CORRECT ADDED MATERIAL LIST	H.E.	AUG'20	B.V.	B.V.
3	ADDED MATERIAL LIST	CWM	AUG'19	C.C.	C.C.
2	TITLEBLOCK & DRAWING NUMBER FORMATTED	K.T.	JAN'19	C.C.	C.C.
1	3 x 60 DIA. HOLES IN UNDERSIDE OF X-ARM ADDED	A.S.	19.9.01	M.B.	F.R.R.
0	ISSUED FOR CONSTRUCTION	A.S.	7.3.01	M.B.	F.R.R.

AMENDMENTS



DES	M. BOCK	POWER STANDARD DRAWING	
DRN	A. SCHMID	ASSEMBLIES ALLEY ARM FOR UNIVERSAL POLE CONSTRUCTION	
CKD	M. BOCK		
APPD	F. ROBSON		
SCALE	1:20	A3	DRAWING NUMBER S01-02-01-26
ISSUED	MARCH '01		
ALL DIM. IN mm		CAD PRODUCT - DO NOT AMEND MANUALLY	
DRAFTING STANDARD TO A.S.1100			AMDT 5