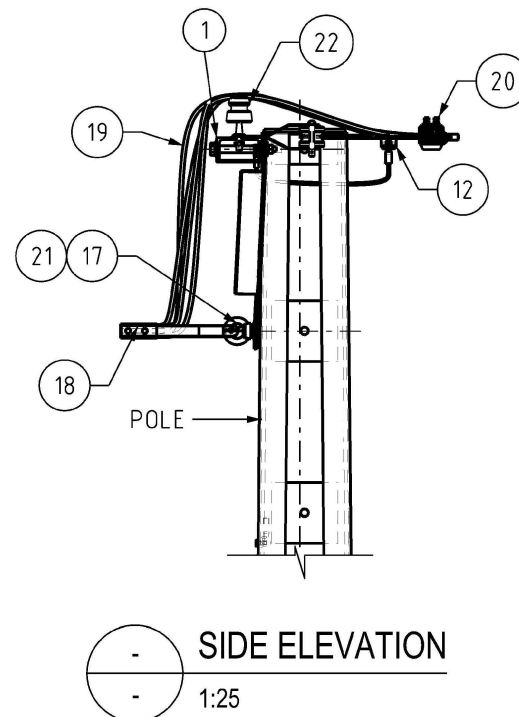
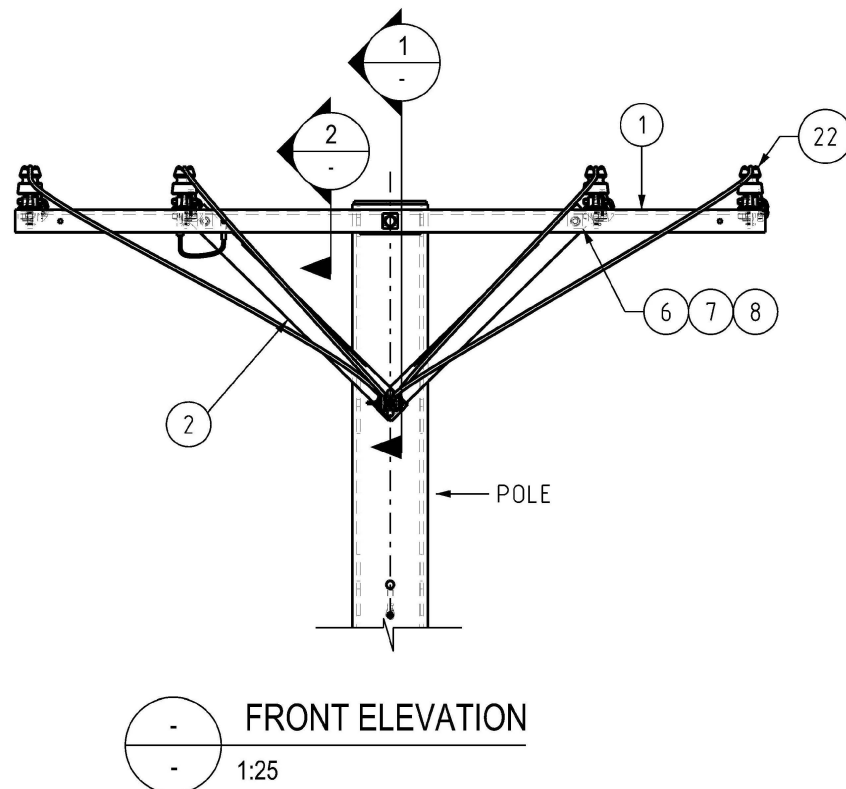
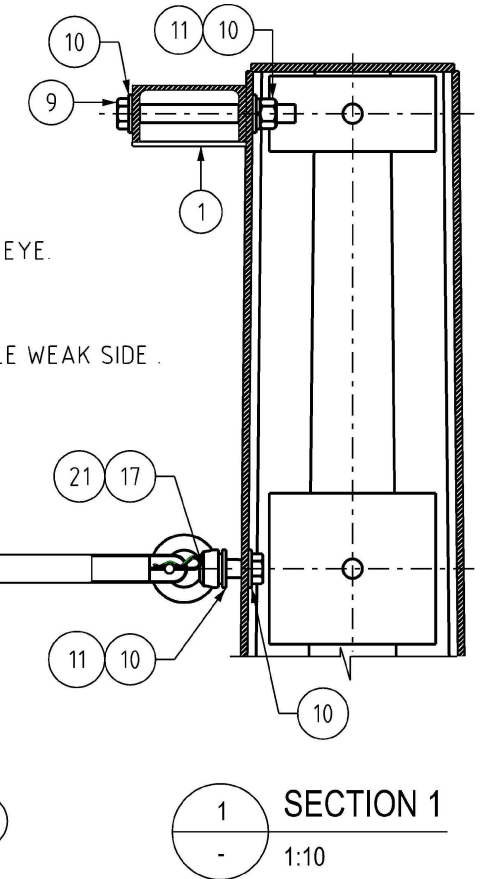
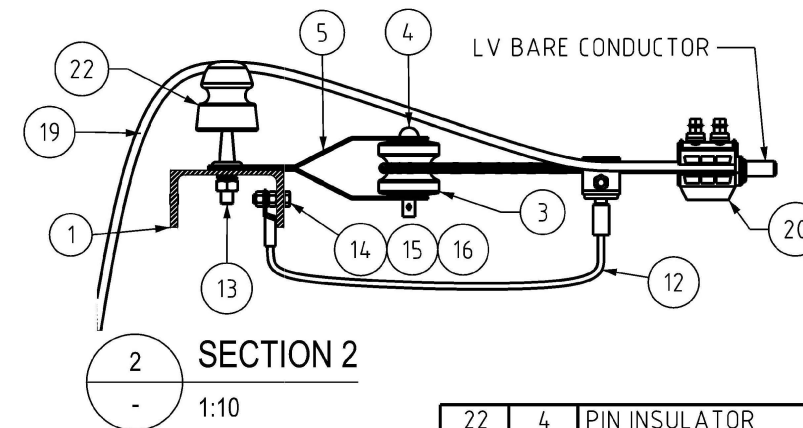


NOTES:

1. LENGTH OF THREADED ROD IS DESIGNED TO HAVE FULL THREAD CONTACT WITH EYE NUT WITHOUT PROTRUSION INTO EYE.
2. HOOK BOLT M16 NON-BREAKAWAY ASSEMBLY CAN BE USED FOR WELDED CONSTRUCTION. REFER S04-01-02-07.
3. USE M24 THREAD ROD 401393 FOR INSTALLATION ON THE POLE WEAK SIDE.



ITEM	QTY	DESCRIPTION	ITEM NUMBER	DWG No.
22	4	PIN INSULATOR	3277	S01-01-03-01
21	1	M24 BOLT 50mm LONG REFER NOTE 3	114629	S01-01-04-43
20	4	CONNECTOR PIERCING	415588	S04-01-02-15
19	AR	CABLE LV ABC	-	S04-01-01-01
18	1	LV ABC STRAIN CLAMP	415585	S04-01-02-11
17	1	EYE NUT FOR TERMINATION REFER NOTE 2	298711	S01-01-04-41
16	1	M12 SPRING WASHER	239616	S01-01-04-43
15	2	M12 FLAT ROUND WASHER	400832	S01-01-04-43
14	1	M12 BOLT 50mm LONG	502676	S01-01-04-43
13	1	LV INSULATOR PIN	3251	S01-01-04-01
12	1	NEUTRAL BOND CLAMP	2147	S01-01-04-17
11	2	M24 SPRING WASHER	114330	S01-01-04-43
10	4	M24 FLAT SQUARE WASHER	298828	S01-01-04-43
9	1	M24 BOLT 180mm LONG	400802	S01-01-04-43
8	2	M16 SPRING WASHER	114322	S01-01-04-43
7	4	M16 FLAT ROUND WASHER	113985	S01-01-04-43
6	2	M16 BOLT 65mm LONG	211144	S01-01-04-43
5	8	SHACKLE STRAP	3186	S01-01-04-16
4	4	PIN FOR SHACKLE STRAP TYPE	12112	S01-01-04-16
3	4	LV SHACKLE INSULATOR	3293	S01-01-03-01
2	2	ANGLE CROSSARM BRACE	400815	S01-02-01-49
1	1	LV - TERMINATION 4 WIRE CROSSARM	500498	S01-01-02-11

MATERIAL SCHEDULE

NO	DESCRIPTION	DRN	DATE	CKD	APPD
1	EDITED TITLE, RENUMBERED FROM S04-02-04-06. ISSUED FOR CONSTRUCTION	A.N. C.C.	FEB'22 FEB'21	A.N. H.E.	B.V. B.V.
AMENDMENTS					



DES	HETESAMI	POWER STANDARD DRAWING		
DRN	C. COPPINS	POLE TOP UNIT LV "D" TO LV-ABC CONVERSION		
CKD	HETESAMI			
APPD	B.VANDERSTELT	A3	DRAWING NUMBER	S01-02-02-47
SCALE	AS SHOWN			
ISSUED	FEBRUARY 2021	CAD PRODUCT - DO NOT AMEND MANUALLY		
ALL DIM. IN mm				
DRAFTING STANDARD TO A S.1100		AMDT		