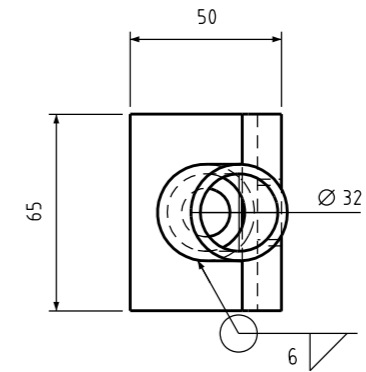


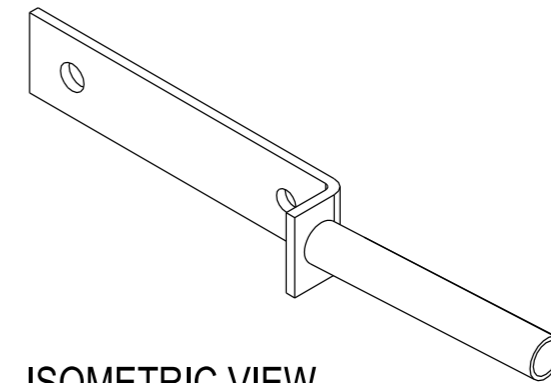
**PLAN VIEW**

1:2.5



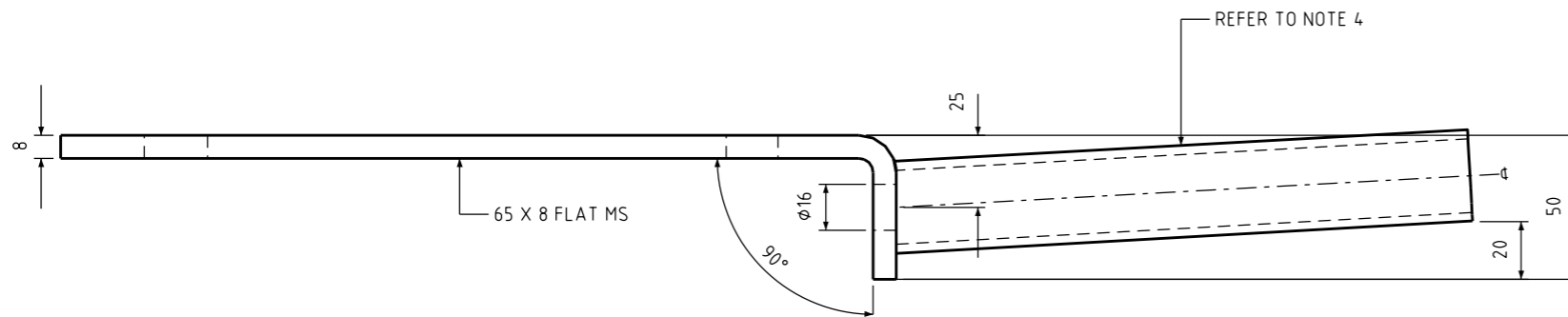
**FRONT VIEW**

1:2.5



**ISOMETRIC VIEW**

N.T.S.



**SIDE VIEW**

1:2.5

**ITEM 1 - LUMINAIRE OUTREACH BRACKET (ITEM NUMBER - 288803)**

**NOTES:**

1. ALL WORKMANSHIP AND MATERIALS TO BE IN ACCORDANCE WITH AS 3679.
2. ALL WELDING AND WELD PREPARATION TO BE IN ACCORDANCE WITH AS 1554. FILLET WELDS TO BE 6mm U.N.O.
3. ALL ROUGH OR BURRED SURFACES TO BE DRESSED CLEAN.
4. FABRICATION AND GALVANIZING TO COMPLY WITH PWC STANDARD TECHNICAL SPECIFICATION STSP 01-002.
5. OUTREACHES ARE TO CONFORM TO REQUIREMENTS OF AS 4100 AND AS 1798.
6. SPIGOT ANGLE SET FOR 5° UPCASt.
7. FOR USE WITH LUMINAIRES MAXIMUM 5KG.
8. LUMINAIRE OUTREACH BRACKET SHALL BE MOUNTED FLUSH WITH LV CROSSARM.

3	AMENDED NOTES 1, 4, 6, 7 & 8. DRAWING TITLE UPDATED.	P.G	NOV'22	P.BH.	B.V.
2	TITLEBLOCK & DRAWING NUMBER FORMATTED	K.T.	FEB'19	C.C.	C.C.
1	NOTE 7 AMENDED & NOTE 8 ADDED	C.C.	NOV'18	B.V.	B.C.
0	ISSUED FOR CONSTRUCTION	R.I.	FEB'97	A.B.	F.R.R.
<b>NO</b>	<b>DESCRIPTION</b>	<b>DRN</b>	<b>DATE</b>	<b>CKD</b>	<b>APPD</b>
<b>AMENDMENTS</b>					



<b>DES</b>	R.HAIGH	POWER STANDARD DRAWING			
<b>DRN</b>	R.INNES	<b>BRACKET LUMINAIRE OUTREACH LV CROSSARM</b>			
<b>CKD</b>	A.B.				
<b>APPD</b>	F.R.R.				
<b>SCALE</b>	AS SHOWN				
<b>ISSUED</b>	FEB 1997	<b>A3</b>	<b>DRAWING NUMBER</b>	<b>S03-01-03-10</b>	
<b>ALL DIM. IN mm</b>				<b>3</b>	
<b>DRAFTING STANDARD TO A.S.1100</b>			<b>CAD PRODUCT - DO NOT AMEND MANUALLY</b>		<b>AMDT</b>