

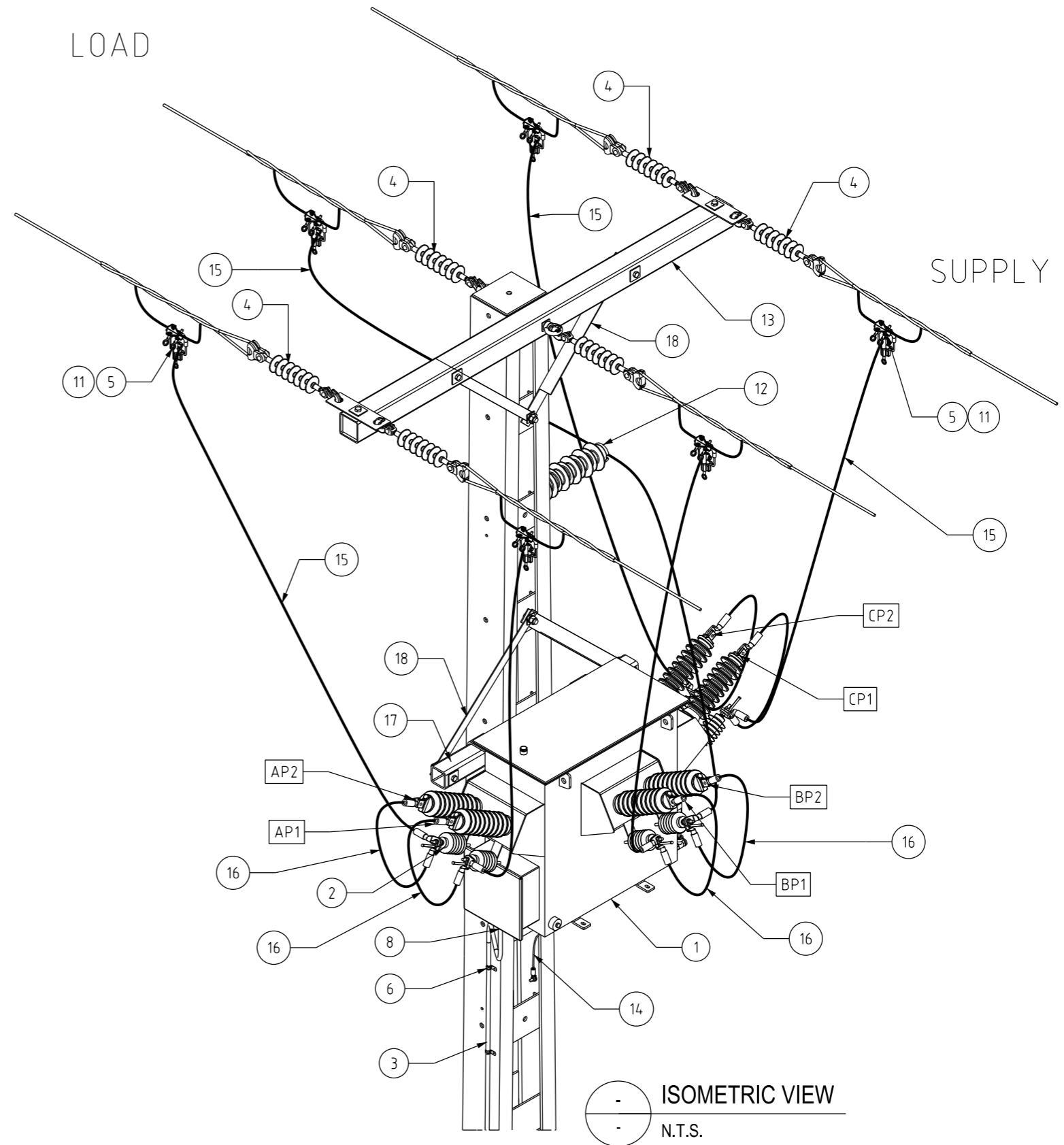
NOTES:

1. METER BOX END OF THE ANACONDA CONDUIT SHALL TERMINATE AT THE CONTROL BOX AND HAVE ITS CABLE GLAND BONDED TO METER BOX EARTH
2. FASTEN ANACONDA CONDUIT TO THE POLE AT 500mm INTERVALS WITH SUITABLE SADDLE CLAMPS.
3. CONSULT WITH METERING GROUP TO ARRANGE METER BOX AND CONTROL CABLE REQUIREMENT
4. REFER DRAWING No. S01-01-09-06 FOR METERING UNIT SPECIFICATIONS.
5. FOR UNDERGROUND EARTHING ARRANGEMENT REFER TO S01-02-03-11,S01-02-03-12,S01-02-03-13.
6. DRILL 18mm HOLES IN CENTRE OF POLE BRACES AND 40mm FROM EDGE FOR ATTACHMENT OF METER BOX BRACKETS ITEM 7.
7. REFER TO S01-04-04-01 'POLE INSTALLATION PROCEDURE (CIVIL WORKS) FOR THE REQUIREMENT AND INSTALLATION OF POLE CONCRETE FOUNDATIONS.
8. TEE CONNECTORS ARE TO BE USED FOR 480-1440 AMP UNITS.
9. POLE REPLACEMENT MAY BE NEEDED IF RETROFITTING IS NOT PRACTICAL

RATED VOLTAGE	RATED CURRENT (A)	ITEM NUMBER	NOMINAL MASS
12kV	120	-	-
12kV	480	-	-
12kV	1440	-	-
24kV	120	504637	700kg
24kV	480	504745	700kg
24kV	1440	-	-

ITEM REF.	QTY	DESCRIPTION	ITEM NUMBER	DWG. NUMBER
20	1	TANK BACK SPACER 100 x 50 PFC	203653	S04-01-02-02
19	2	METER BOX BRACKET	-	S01-02-05-27
18	1	CROSSARM BRACE - 50x5	411554	S01-02-01-49
	1	ANGLE CROSSARM BRACE - 75x75x5	411547	S01-02-01-49
17	1	HV TRANSFORMER POLE MOUNTING BRACKET	298596	S01-01-02-12
16b	A/R	150 SQ.MM CU/XLPE/PVC (FOR 480A UNITS ONLY)	503088	S02-01-01-35
16a	A/R	70 SQ.MM CU/XLPE/PVC (FOR 120A UNITS ONLY)	406733	S02-01-01-35
15b	A/R	150 SQ.MM TINNED FLEX CU/R-EP-90/CPE (FOR 480A UNITS ONLY)	300368	S02-01-01-34
15a	A/R	70 SQ.MM TINNED FLEX CU/R-EP-90/CPE (FOR 120A UNITS ONLY)	406718	S02-01-01-34
14	A/R	70 SQ.MM Y/GR EARTH TAG	401059	S02-01-01-23
13	1	HV LINE TERMINATION CROSSARM FIBREGLASS 125x125	414398	S01-01-02-10
12	1	22kV CYCLOALIPHATIC LINE POST INSULATOR	300467	S01-01-03-10
11b	6	150 SQ.MM COPPER M16 BELLMOUTH LUG (FOR 480A UNITS ONLY)	406769	S02-01-02-11
11a	6	LIVE LINE CLAMP 460A (120A UNITS ONLY)	2121	S01-01-04-17
10	2	LOCK NUTS FOR CONDUIT TERMINATION	415549	-
9	-	CONTROL BOX EARTHING	-	-
8	2	CABLE GLANDS TO SUIT 32mm FLEX NON-METAL CONDUIT	218479	-
7	1	METERING BOX	-	-
6	A/R	32mm CONDUIT HALF SADDLE HDG	410354	-
5b	6	CLAMP DISCONNECT TEE (500A) (FOR 480A UNITS ONLY)	2295	S01-01-04-10
5a	6	CLAMP ALUMINIUM BAIL LIVE LINE (420A) (FOR 120A UNITS ONLY)	239020	S01-01-04-10
4	6	22kV POLYMER STRAIN INSULATOR - 70kN	292656	S01-01-03-09
	6	THIMBLE CLEVIS - 70kN	6767	S01-01-03-09
	6	TOUNGE HOOK - 70kN	292680	S01-01-03-09
3	A/R	32mm FLEXIBLE NON-METAL CONDUIT	218461	-
2	6	HV SURGE ARRESTERS 11kV OR 22kV A/R	-	S01-01-04-19
1	1	METERING UNIT - POLE MOUNTED	-	S01-01-09-06

TABLE 2 - MATERIAL SCHEDULE

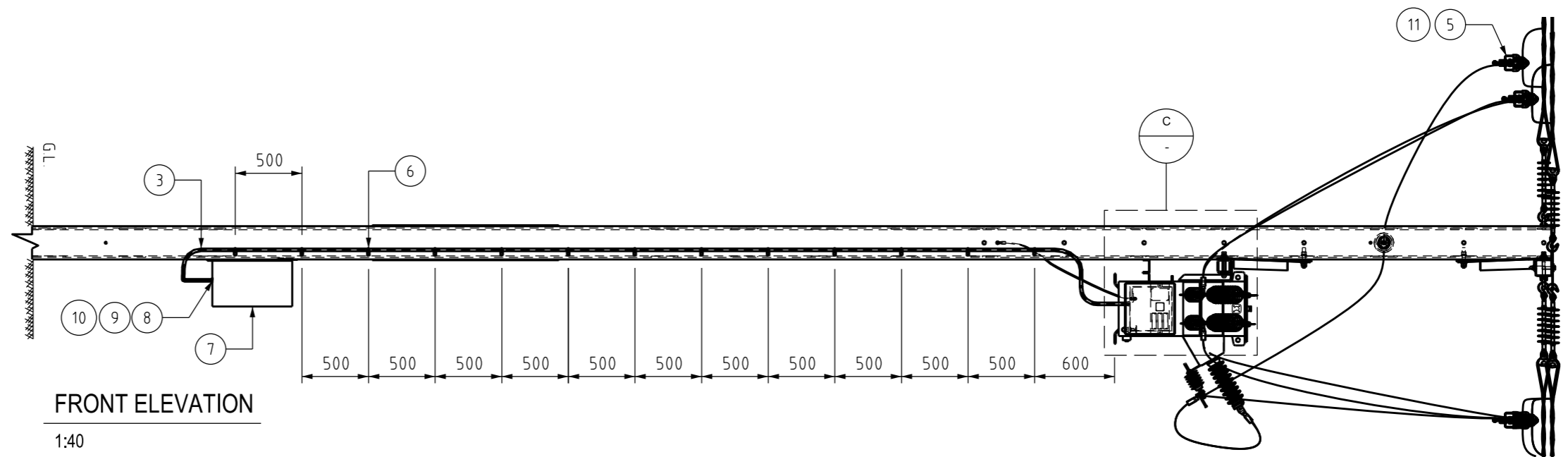


NO	DESCRIPTION	DRN	DATE	CKD	APPD
11	ITEM NUMBER 17 AMENDED.	P.BH.	OCT'22	B.C.	B.V.
10	AMENDED DRAWING NUMBER FOR ITEM 4.	P.BH.	SEP'22	B.C.	B.V.
9	ITEM 20 ADDED, SHEET 2 AMENDED.	C.C.	JUL'22	B.C.	B.V.
8	UPDATED TERMINAL NOTATION & SHEET 4.	A.N.	JUL'21	A.N.	B.C.
7	UPDATED DESIGN TO INCLUDE 480A UNIT. ITEMS 4, 5, 11, 15 & 16 UPDATED. ADDED UNIT MASS. REFORMATTED TABLES. UPDATED SHEET 5.	A.N.	JUN'21	A.N.	B.C.
6	NEW UNIT AND CONSTRUCTION	C.W.M.	AUG'20	B.V.	B.C.

PowerWater
NORTHERN TERRITORY

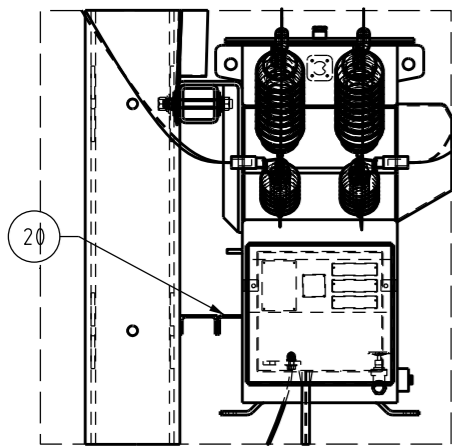
DES		POWER STANDARD DRAWING	
DES	B.CHEUNG	POWER STANDARD DRAWING	
DRN	C.COPPINS	POLE STRUCTURES	
CKD	B.VANDERSTELT	HV - 3 PHASE METERING BOLTED	
APPD	B.CHEUNG	CONNECTIONS TYPE	
SCALE	AS SHOWN	(SHEET 1 OF 5)	
ISSUED	JUNE 2020	A3	DRAWING NUMBER
ALL DIM. IN mm			S01-02-05-27_1
DRAFTING STANDARD TO A.S.1100		CAD PRODUCT - DO NOT AMEND MANUALLY	





FRONT ELEVATION

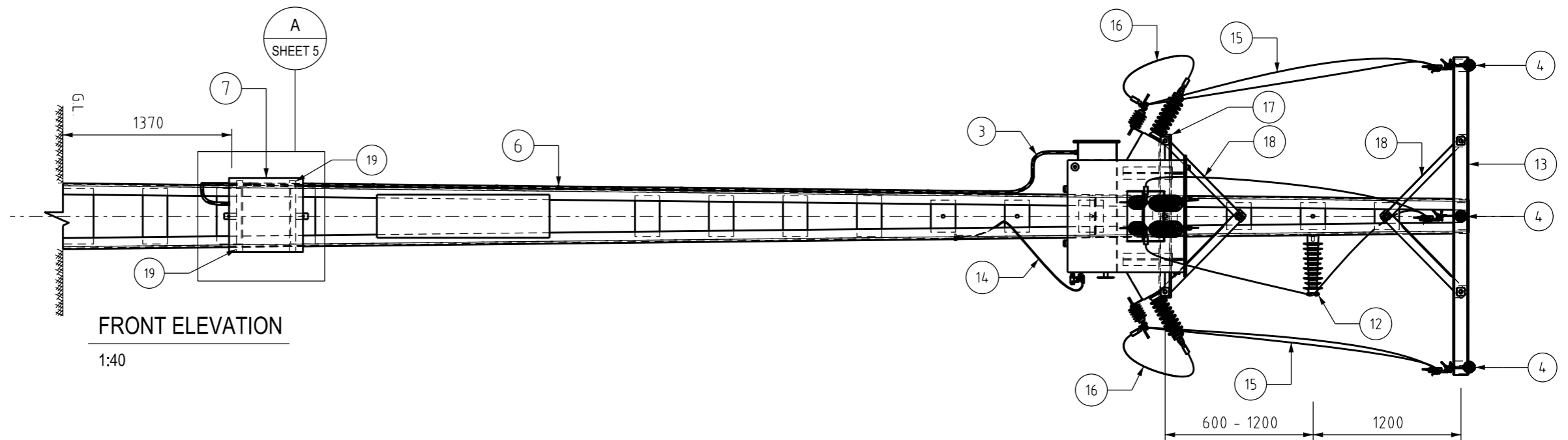
1:40



DETAIL C

SCALE 1:20

TANK SPACER TO BE ATTACH TO METERING UNIT



FRONT ELEVATION

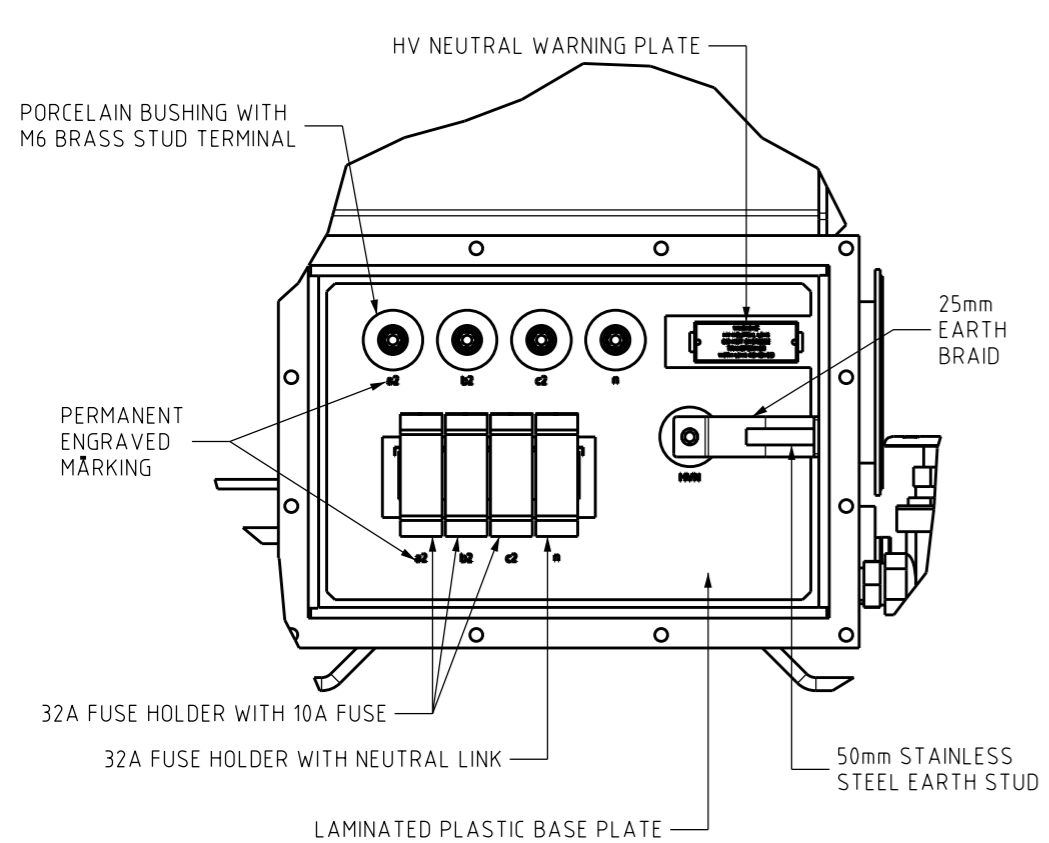
1:40

3	AMENDED SHEET 1.	P.BH.	OCT'22	B.C.	B.V.
2	AMENDED SHEET 1.	P.BH.	SEP'22	B.C.	B.V.
1	DETAIL C ADDED, SHEET 1 AMENDED	C.C.	JUL'22	B.V.	B.C.
0	ISSUED FOR CONSTRUCTION	CWM	AUG'20	B.V.	B.C.

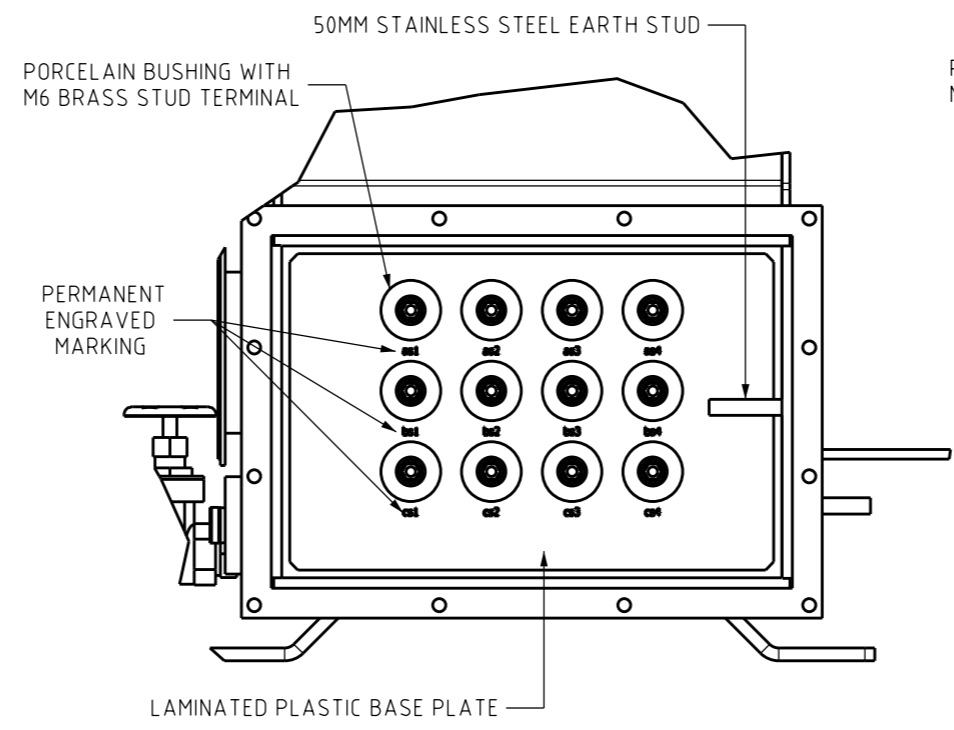
NO	DESCRIPTION	DRN	DATE	CKD	APPD
AMENDMENTS					



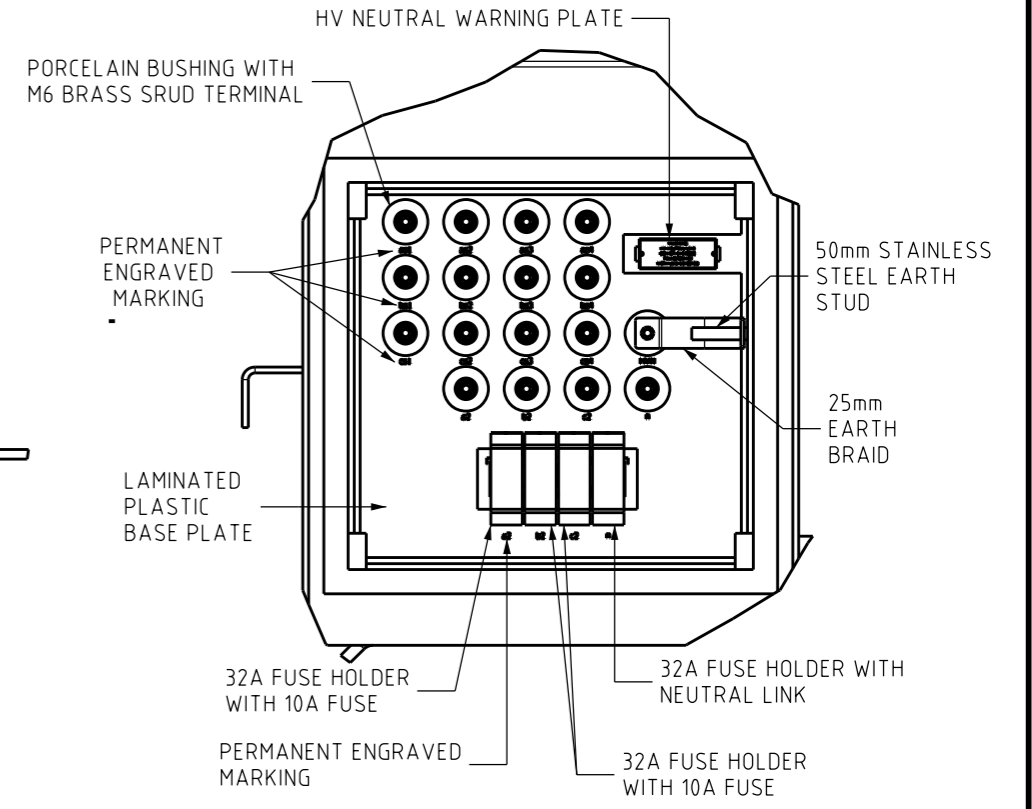
DES	B.CHEUNG	POWER STANDARD DRAWING			
DRN	C.COPPINS	POLE STRUCTURES HV - 3 PHASE METERING BOLTED CONNECTIONS TYPE (SHEET 2 OF 5)			
CKD	B.VANDERSTELT				
APPD	B.CHEUNG				
SCALE	AS SHOWN	A3	DRAWING NUMBER	S01-02-05-27_2	
ISSUED	JUNE 2020			CAD PRODUCT - DO NOT AMEND MANUALLY	
ALL DIM.	IN mm	AMDT			
DRAWING STANDARD TO A.S.1100					



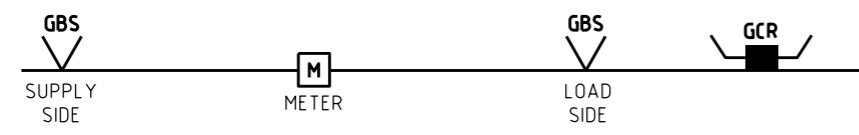
12kV -VT LOW VOLTAGE TERMINAL VIEW
N.T.S.



12kV -CT LOW VOLTAGE TERMINAL VIEW
N.T.S.



24kV -LOW VOLTAGE TERMINAL VIEW
N.T.S.

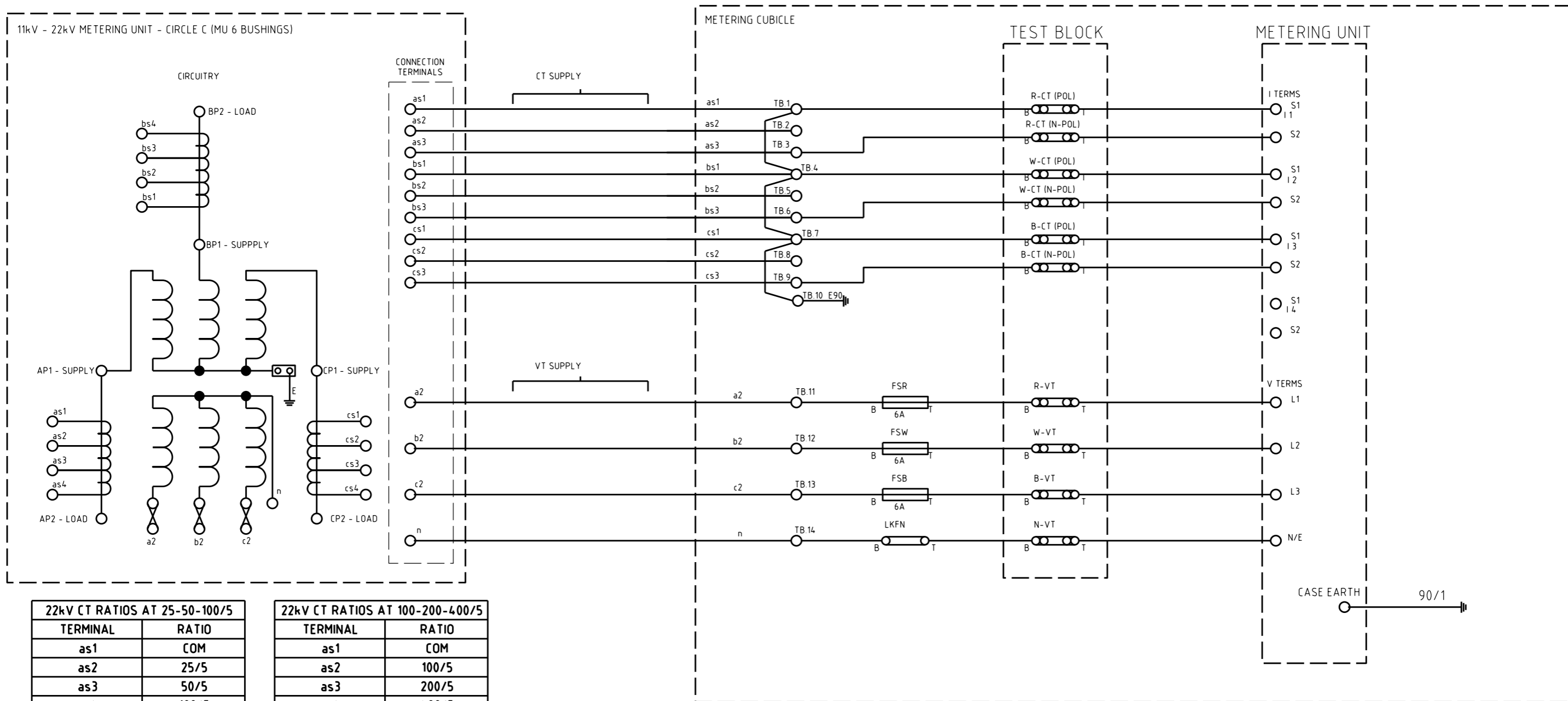


SINGLE LINE DIAGRAM
N.T.S.

NO	DESCRIPTION	DRN	DATE	CKD	APPD
3	AMENDED SHEET 1.	P.BH.	OCT'22	B.C.	B.V.
2	AMENDED SHEET 1.	P.BH.	SEP'22	B.C.	B.V.
1	SHEET 1 & 2 AMENDED	C.C.	JUL'22	B.V.	B.C.
0	ISSUED FOR CONSTRUCTION	CWM	AUG'20	B.V.	B.C.



DES	B.CHEUNG	POWER STANDARD DRAWING		
DRN	C.COPPINS	POLE STRUCTURES		
CKD	B.VANDERSTELT	HV - 3 PHASE METERING BOLTED		
APPD	B.CHEUNG	CONNECTIONS TYPE		
SCALE	AS SHOWN	(SHEET 3 OF 5)		
ISSUED	JUNE 2020	A3	DRAWING NUMBER	S01-02-05-27_3
ALL DIM. IN mm				
DRAFTING STANDARD TO A.S.1100		CAD PRODUCT - DO NOT AMEND MANUALLY		AMDT



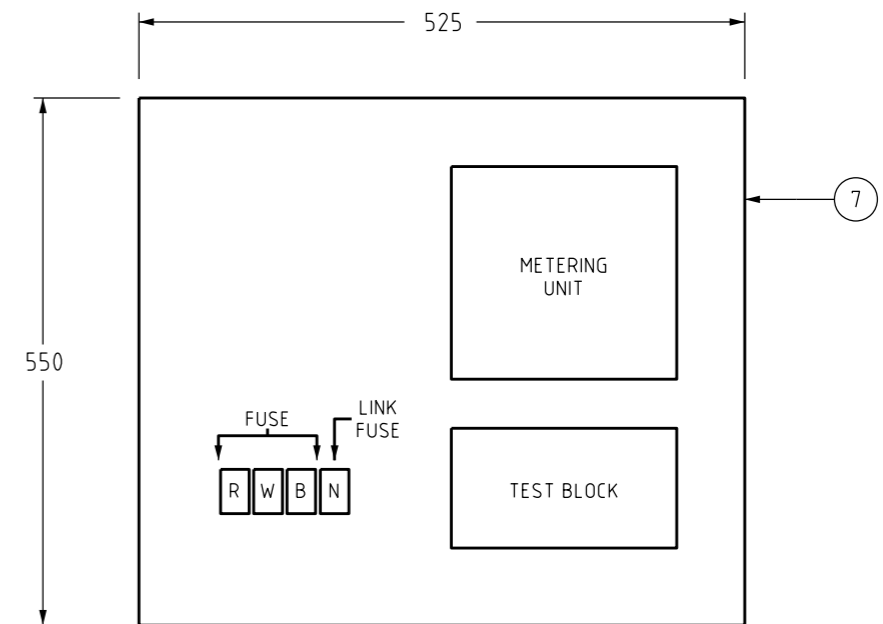
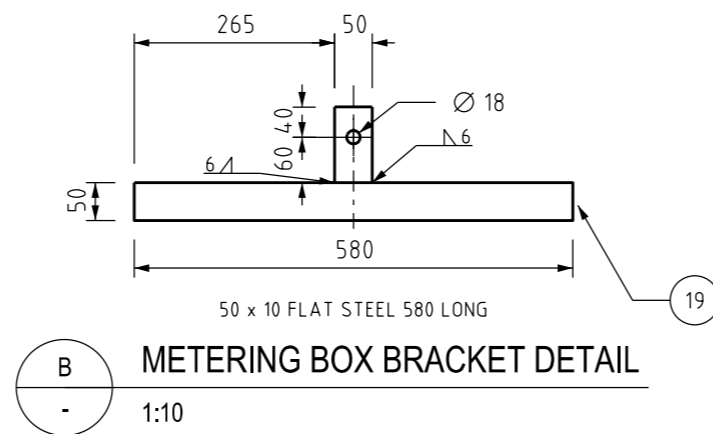
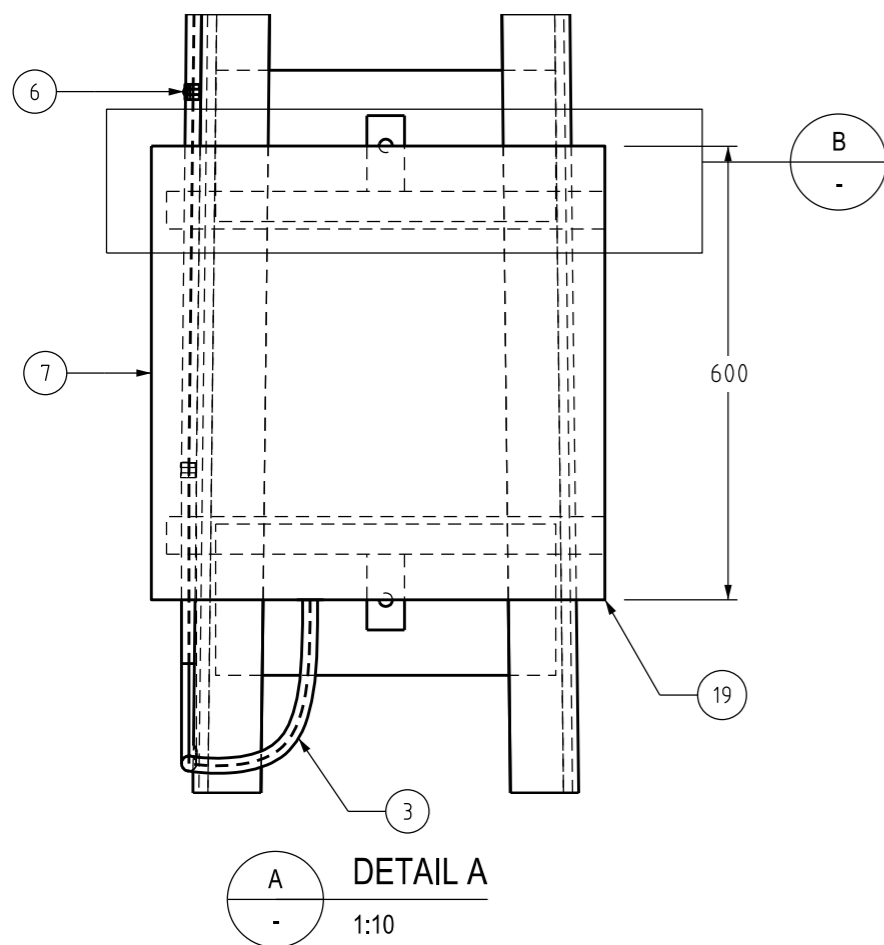
22kV CT RATIOS AT 25-50-100/5	
TERMINAL	RATIO
as1	COM
as2	25/5
as3	50/5
as4	100/5
bs1	COM
bs2	25/5
bs3	50/5
bs4	100/5
cs1	COM
cs2	25/5
cs3	50/5
cs4	100/5
PRIMARY C.T.R	120A
SECONDARY C.T.R	6A
S.T.C.R.	13.5kA/0.5s

22kV CT RATIOS AT 100-200-400/5	
TERMINAL	RATIO
as1	COM
as2	100/5
as3	200/5
as4	400/5
bs1	COM
bs2	100/5
bs3	200/5
bs4	400/5
cs1	COM
cs2	100/5
cs3	200/5
cs4	400/5
PRIMARY C.T.R	480A
SECONDARY C.T.R	6A
S.T.C.R.	25kA/3s

NO	DESCRIPTION	DRN	DATE	CKD	APPD
4	AMENDED SHEET 1.	P.BH.	OCT'22	B.C.	B.V.
3	AMENDED SHEET 1.	P.BH.	SEP'22	B.C.	B.V.
2	SHEET 1 & 2 AMENDED	C.C.	JUL'22	B.V.	B.C.
1	UPDATED TERMINAL NOTATION. ADDED TERMINAL TABLES FOR 120 & 280A UNITS.	A.N.	JUL'21	A.N.	B.C.
0	ISSUED FOR CONSTRUCTION	CWM	AUG'20	B.V.	B.C.



DES		POWER STANDARD DRAWING	
DES	B.CHEUNG	POLE STRUCTURES	
DRN	C.COPPINS	HV - 3 PHASE METERING BOLTED	
CKD	B.VANDERSTELT	CONNECTIONS TYPE	
APPD	B.CHEUNG	(SHEET 4 OF 5)	
SCALE	AS SHOWN	A3	DRAWING NUMBER
ISSUED	JUNE 2020		
ALL DIM.	IN mm	CAD PRODUCT - DO NOT AMEND MANUALLY	
DRAFTING STANDARD TO A.S.1100		AMDT	



METERING BOX
N.T.S.

NO	DESCRIPTION	DRN	DATE	CKD	APPD
4	AMENDED SHEET 1.	P.BH.	OCT'22	B.C.	B.V.
3	AMENDED SHEET 1.	P.BH.	SEP'22	B.C.	B.V.
2	SHEET 1 & 2 AMENDED	C.C.	JUL'22	B.V.	B.C.
1	ADDED MISSING DIMENSION ON BRACKET DETAIL	A.N.	JUN '21	A.N.	B.C.
0	ISSUED FOR CONSTRUCTION	C.W.M.	AUG '20	B.V.	B.C.



DES		POWER STANDARD DRAWING	
DES	B.CHEUNG	POLE STRUCTURES	
DRN	C.COPPINS	HV - 3 PHASE METERING BOLTED	
CKD	B.VANDERSTELT	CONNECTIONS TYPE	
APPD	B.CHEUNG	(SHEET 5 OF 5)	
SCALE	AS SHOWN	A3	DRAWING NUMBER
ISSUED	JUNE 2020		
ALL DIM.	IN mm	CAD PRODUCT - DO NOT AMEND MANUALLY	
DRAFTING STANDARD TO A.S.1100		AMDT	