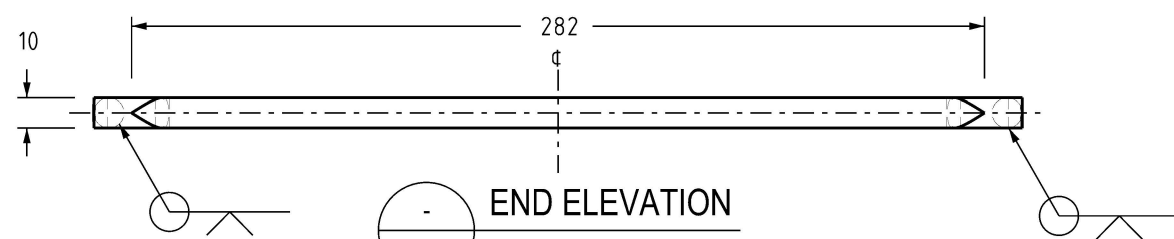
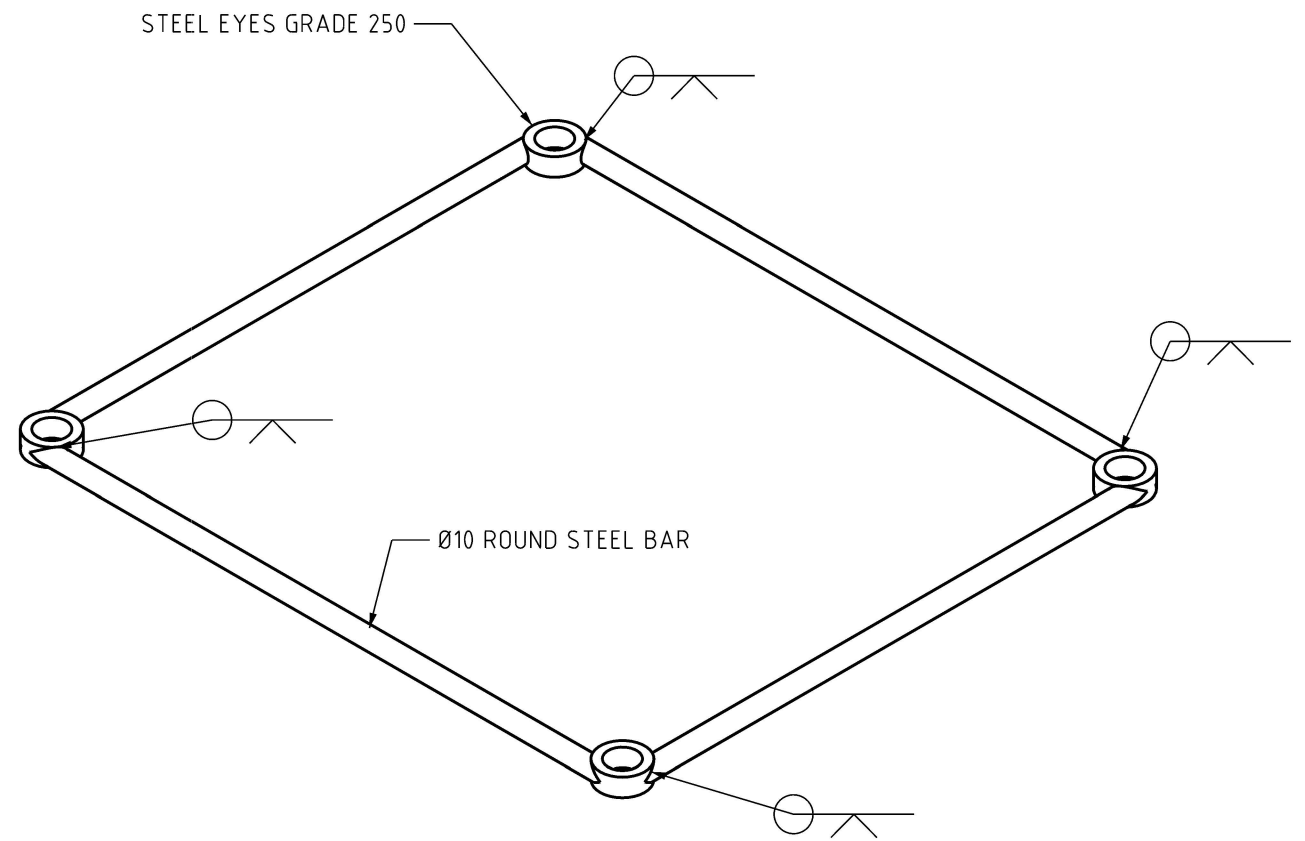


PLAN VIEW
SCALE 1:2.5



END ELEVATION
SCALE 1:2.5



ISOMETRIC VIEW
SCALE N.T.S.

ITEM NUMBER: 413423

NOTES:

1. ALL JOINTS TO BE 'V' BUTT WELDED ALL AROUND
2. ALL EDGES TO BE DEBURRED AND WELDS GROUND FLUSH
3. COMPLETE ASSEMBLY TO BE HOT DIP GALVANISED IN ACCORDANCE WITH AS 4680 WITH AN AVERAGE COATING THICKNESS NO LESS THAN 85 MICRON, WITH A LOCAL COATING THICKNESS NO LESS THAN 70 MICRON.
4. FABRICATION TO COMPLY WITH PWC SPECIFICATION STSP 01-002.
5. STEEL TO BE GRADE 250

NO	DESCRIPTION	DRN	DATE	CKD	APPD
0	PREVIOUSLY DRAWING S02-01-09-07. DRAWING TITLE AMENDED.	P.BH.	OCT'22	B.V.	B.C.
AMENDMENTS					



DES		POWER STANDARD DRAWING	
DES	B.VANDERSTELT	POWER STANDARD DRAWING	
DRN	C.COPPINS	DISTRIBUTION PILLAR RESIDENTIAL TURRET TYPE REINFORCING COLLAR	
CKD	B.VANDERSTELT	A3	DRAWING NUMBER S02-01-03-19
APPD	B.CHEUNG		
SCALE	AS SHOWN	DRAFTING STANDARD TO A.S.1100	
ISSUED	OCT 2022	CAD PRODUCT - DO NOT AMEND MANUALLY	
ALL DIM. IN mm		AMDT	