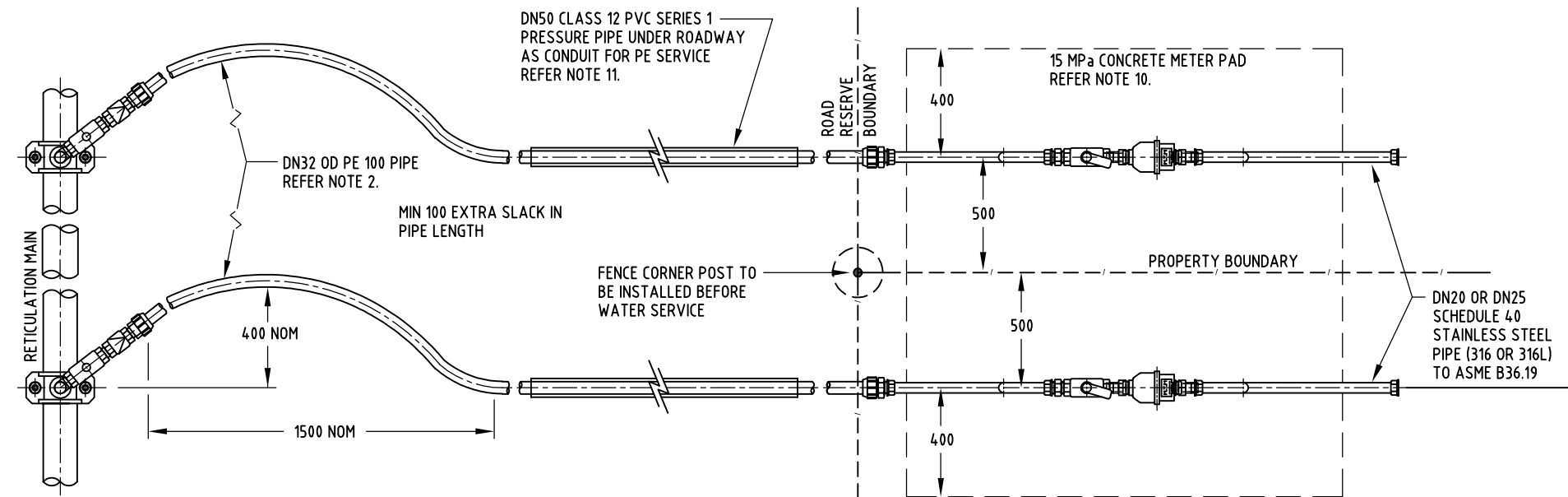


**NOTES:**

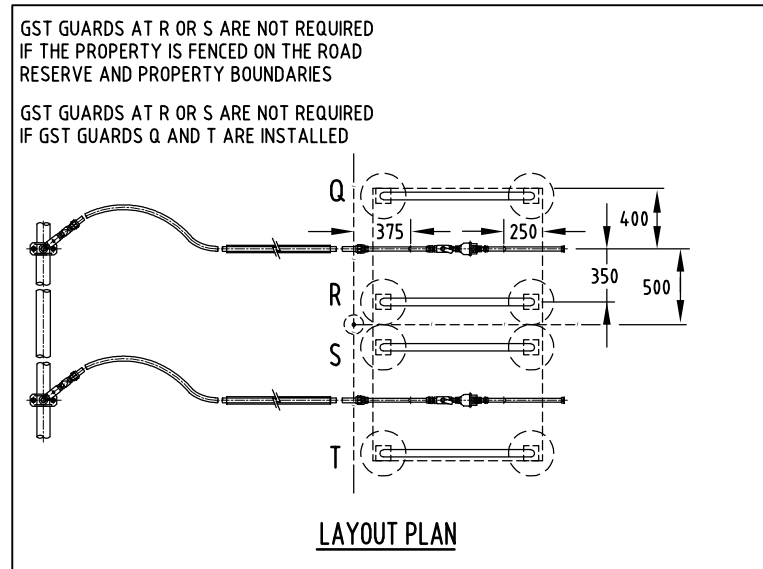
1. ALL DIMENSIONS IN MILLIMETRES UNLESS NOTED OTHERWISE.
2. DN20 & DN25 SERVICES SHALL BE DN32 PN20 PE100 CHLORBLUE CC2 RATED WITH BLUE STRIPES CLEARLY MARKED TO AS4130. EQUIVALENT PRODUCTS MUST BE APPROVED BY PWC BEFORE USE.
3. NO WORK ON WATER CONNECTIONS MAY COMMENCE UNTIL THE CONTRACTOR HAS PWC APPROVED COPIES OF THE SITE SERVICES PLAN AND "WATER AND SEWER CONNECTION APPLICATION FORM - REMOTE OPERATIONS" AND PAID ALL FEES.
4. ONLY PWC (OR ITS AUTHORISED CONTRACTORS) ARE PERMITTED TO TAP EXISTING, IN-SERVICE (LIVE) MAINS OR MAINS THAT HAVE BEEN HYDROSTATICALLY TESTED. WITHIN LICENSED AREAS AND UPON PAYMENT OF THE NECESSARY FEES, PWC WILL PERFORM TAPPING OF LIVE MAINS, HOWEVER, EXCAVATION, ALL MATERIALS AND INSTALLATION SHALL BE SUPPLIED BY THE CONTRACTOR.
5. A BACKFLOW CERTIFIED PLUMBER IS REQUIRED TO DETERMINE THE RISK OF CONTAMINATION OF THE POTABLE WATER SUPPLY DUE TO CROSS CONNECTIONS AND WHERE MEDIUM HAZARD AND HIGH HAZARD RISKS ARE IDENTIFIED (REFER AS/NZS3500), PROVIDE APPROPRIATE BACKFLOW DEVICES.
6. FOR DETAILS OF APPROVED PRODUCTS USED ON THIS DRAWING, REFER TO THE WATER AND SEWERAGE INFRASTRUCTURE PRODUCTS MANUAL.
7. ON COMPLETION OF WATER SERVICE, PROVIDE STAINLESS STEEL OR PE PLUG FITTED TO OUTLET.
8. WHERE SEPARATE BACKFLOW DEVICES ARE FITTED BY THE LAND OWNER IN ACCORDANCE WITH NOTE 6 ABOVE, WATER METERS DO NOT REQUIRE INTEGRAL DUAL CHECK VALVES.
9. PE PIPES AND FITTINGS SHALL NOT BE USED IN AREAS CONTAMINATED OR EXPECTED TO BE CONTAMINATED BY PETROLEUM BASED PRODUCTS, SUCH AS SOLVENT FOR TERMITE/PEST CONTROL TREATMENT OR PAINT.
10. THE EDGE OF CONCRETE METER PAD IS TO ALIGN WITH PROPERTY ROAD AND SIDE BOUNDARY.
11. PE SERVICE PIPE IS TO BE INSTALLED AS A CONTINUOUS LENGTH OF PIPE WITH NO JOINS.
12. MIN COVER TO SERVICE : 450mm WITHIN PROPERTY BOUNDARY, 750mm ELSEWHERE.
13. ACID PICKLE/PASSIVATE COMPLETE STAINLESS STEEL ASSEMBLY AFTER WELDING.
14. MINIMUM 100mm EMBEDMENT AND 150mm OVERLAY, TYPE 1 OR TYPE 4 MATERIAL IN GEOFABRIC FOR FULL LENGTH OF SERVICE CONNECTION.
15. FOR NEW RETICULATION MAINS, INSTALL PRE-TAPPED CONNECTOR (REFER TO W1-1-23A) IN LIEU OF TAPPING BAND.



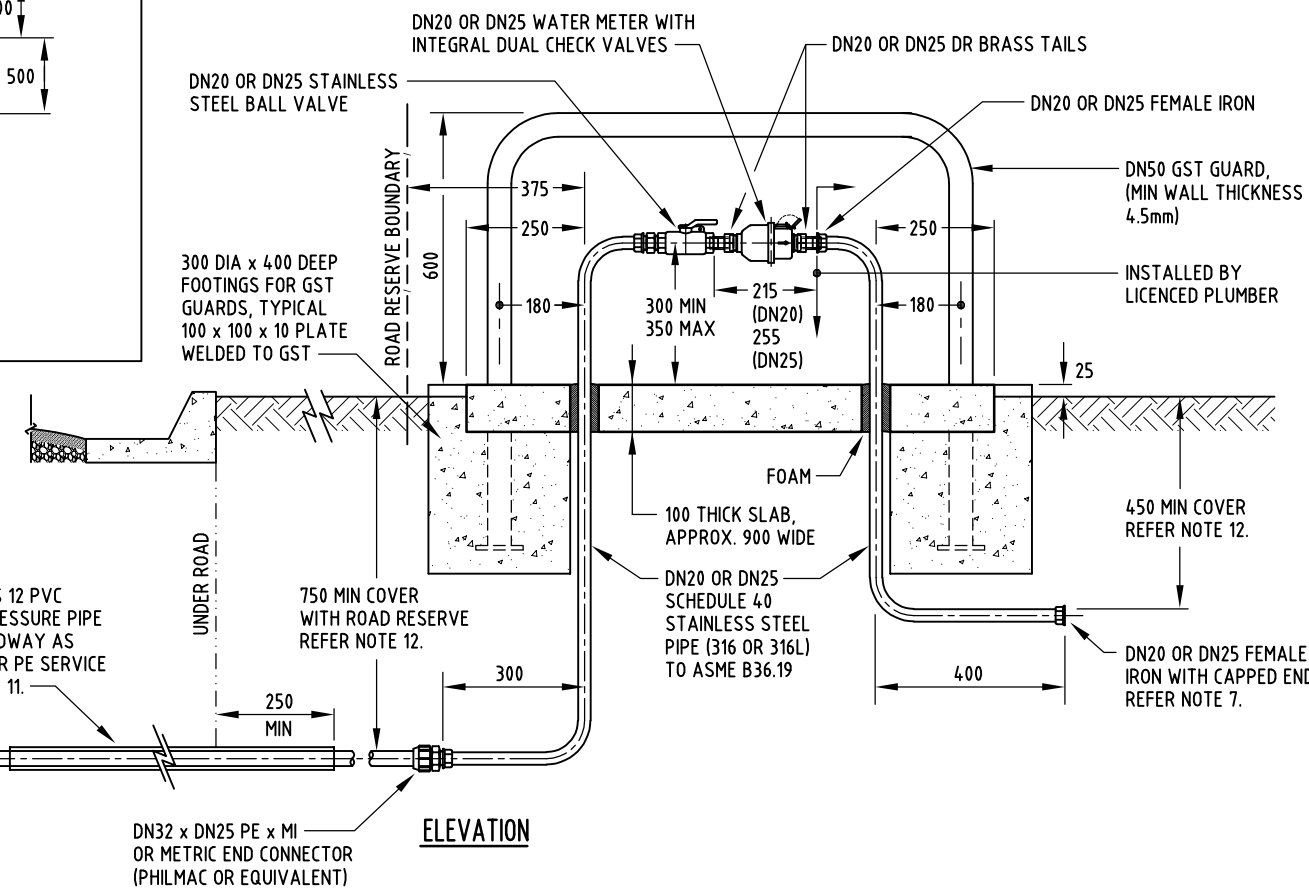
**PLAN**

(SHOWING EXTRA SLACK IN PE - WHEN INSTALLED UNDER ROADWAY ENSURE PE SERVICE HAS SLACK AT EACH END OF THE CONDUIT)

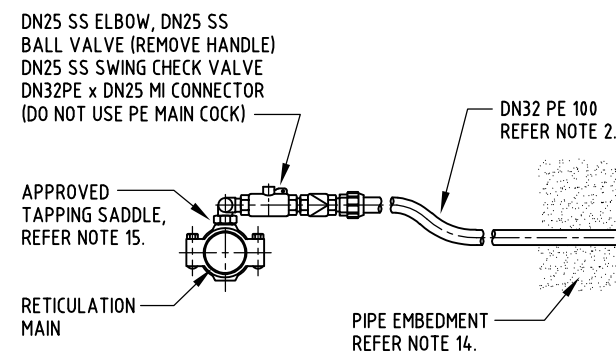
SPECIFIED NOM SIZE DN	S'STEEL DN	PE DN
20	20	32
25	25	32



**LAYOUT PLAN**



**ELEVATION**



NO	DESCRIPTION	DRN	DATE	CKD	APPD
2	NOTE 2 & GENERAL AMENDMENTS 2022	PW	SEPT'22	JC	DC
1	GENERAL AMENDMENTS	TJK	15/3/17	N.M.	PWC
0	NEW-ISSUED FOR PWC	K.I.	24/1/12	R.N.	PWC



DES	R.HUTCHINS	WATER STANDARD DRAWING	
DRN	K.IBBOTT	SERVICE - DN20 OR DN25 ABOVE GROUND METERS	
CHK	R.HUTCHINS	Polyethylene / Stainless Steel - Corrosive Conditions	
APPD	PWC	Remote Operations Services - North of Tennant Creek	
SCALE	N.T.S.	A3	DRAWING NUMBER
ISSUED	JAN'12		ROW1-1-325
ALL DIM. IN mm			2
DRAFTING STANDARD TO A.S.1100		CAD PRODUCT - DO NOT AMEND MANUALLY	