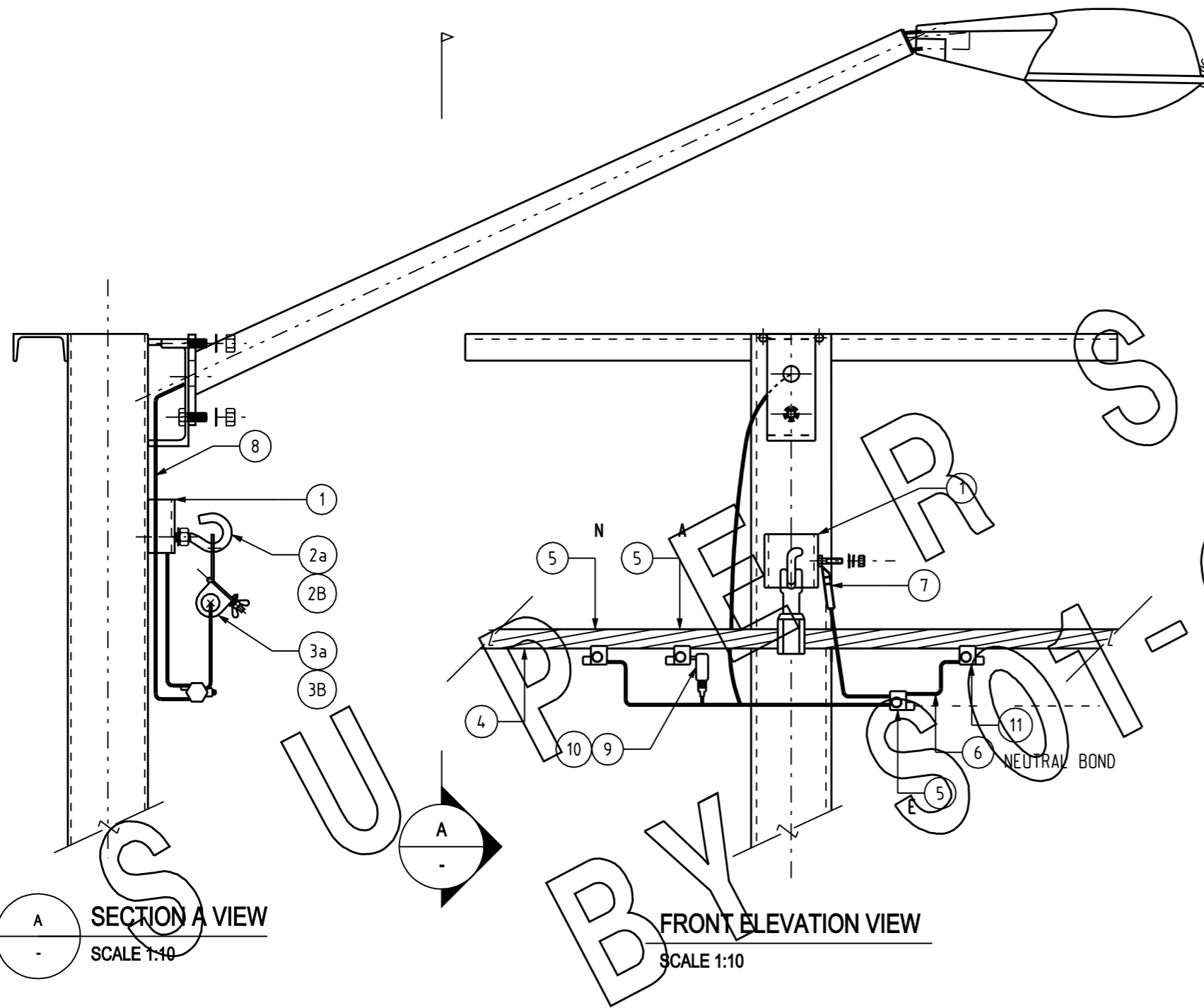


3RD ANGLE -DO NOT SCALE - REPORT ANY ERRORS, OMISSIONS TO DRAFTING OFFICE



NOTES:

1. NEUTRAL TO BE BONDED ON EVERY POLE
2. COPPER NEUTRAL BOND TO BE FITTED BELOW ALUMINIUM CONDUCTORS.
3. FOR CORRECT APPLICATION OF HOOK BOLTS REFER DRG. S04-02-02-02 FOR FULL DETAILS
4. ALL LIGHT FITTINGS TO BE EARTHED VIA CONNECTION TO NEUTRAL BOND.

ITEM	QTY	DESCRIPTION	ITEM NUMBER	DWG NUMBER
1	1	CONNECTOR, PIERCING 95/35	197723	S04-01-02-15
10	1	FUSE DIAZED 6Amp	197756	
9	1	FUSE ASSEMBLY STREET LIGHT	197749	
8	-	CABLE Cu TWIN + E 2.5sq.mm	2725	
7	1	LUG COMPRESSION 35sq.mm	156240	
6	-	CABLE Cu PVC 35sq.mm BLACK	1586	
5	1	CONNECTOR, PIERCING 95/16	198382	S04-01-02-15
4	-	CABLE LV ABC, 4x95sq.mm	197665	S04-01-01-01
3b	1	CLAMP SUSPENSION COMBINATION 4x95sq.mm	198408	S04-01-02-10
3a		CLAMP SUSPENSION 4x95sq.mm	197681	S04-01-02-10
2b	1	HOOK BOLT M16	197731	S04-01-02-07
2a		HOOK BOLT M16 NON-BREAKAWAY ASSEMBLY		S04-01-02-07
1	1	BRACKET HOOK MOUNTING	203679	S04-01-02-02

SECTION A VIEW
SCALE 1:10

FRONT ELEVATION VIEW
SCALE 1:10

NO	DESCRIPTION	DRN	DATE	CKD	APPD
4	TITLEBLOCK & DRAWING NUMBER FORMATTED	K.T.	JAN'20	C.C.	C.C.
3	MARKED 'NOT FOR NEW CONSTRUCTION'	C.C.	FEB'19	I.B.	B.C.
2	REDRAWN ON CAD	A.D.	MAY'98	R.I.	F.R.
1	ITEM 5 STOCK CODE AND ITEM ALTERED, ELEVATION AMENDED	PMC	FEB'90	-	N.S.



DES	B.T.KENT	POWER STANDARD DRAWING	
DRN	A.DAVIS	ASSEMBLIES	
CKD	R.INNES	LV - ABC	
APPD	F.ROBSON	STREET LIGHT ONLY	
SCALE	AS SHOWN	INTERMEDIATE SUSPENSION	
ISSUED	MAY 1998	A3	DRAWING NUMBER S04-02-01-17
ALL DIM. IN	mm		
DRAFTING STANDARD TO A.S.1100		CAD PRODUCT - DO NOT AMEND MANUALLY	

