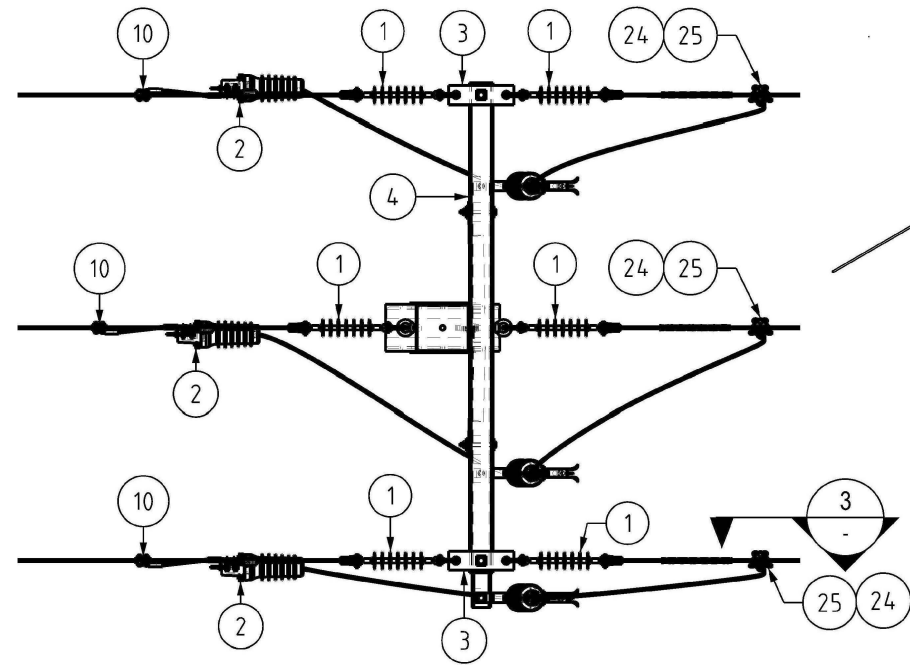
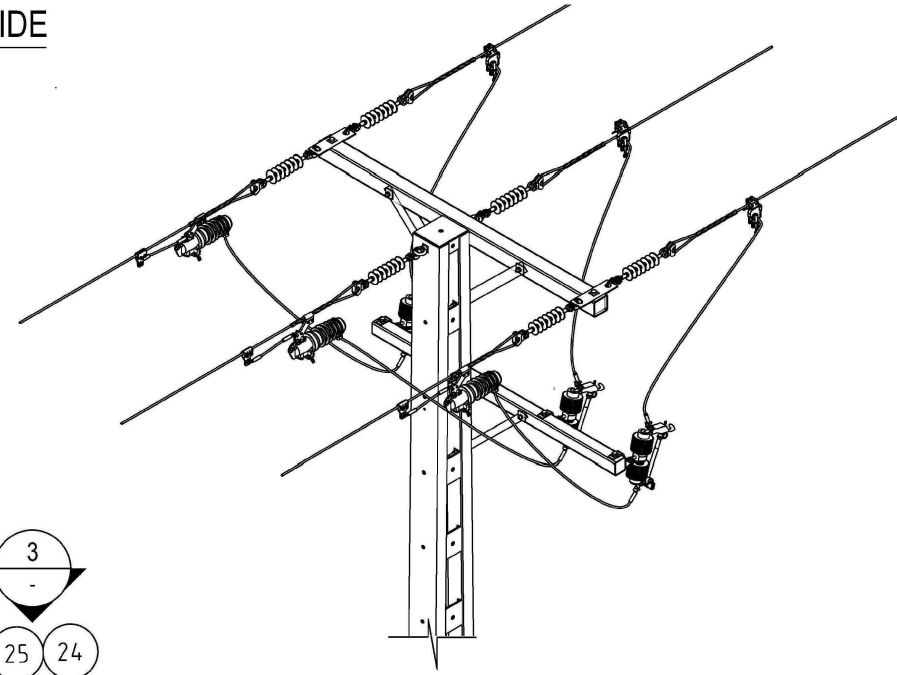


LOAD SIDE

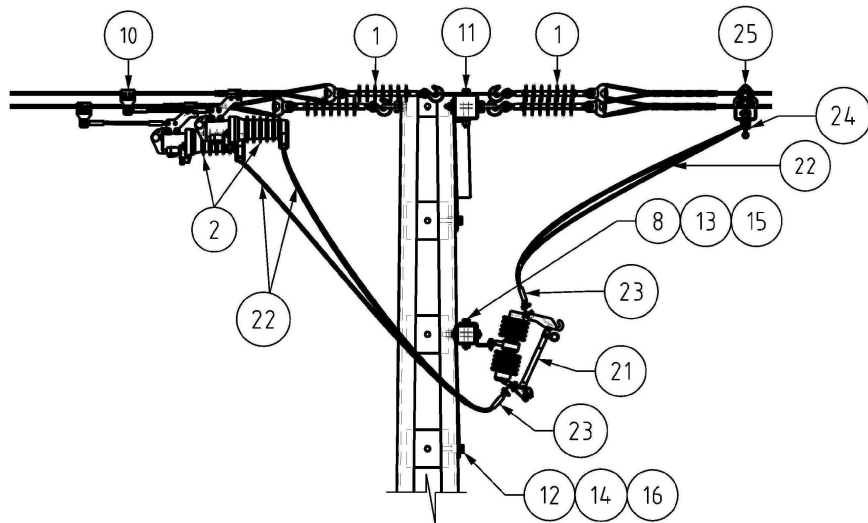
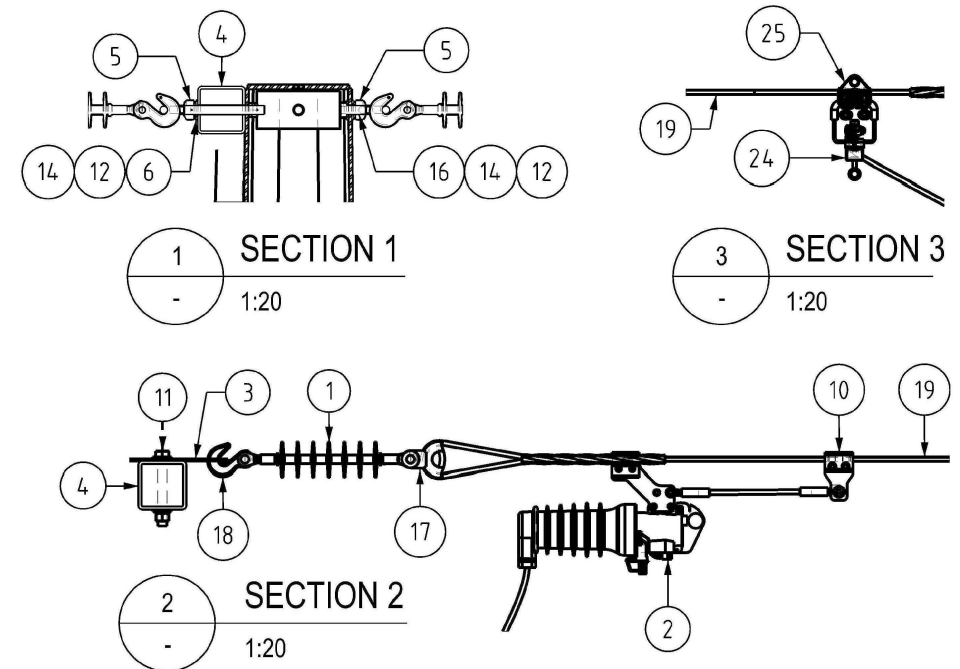
SOURCE SIDE



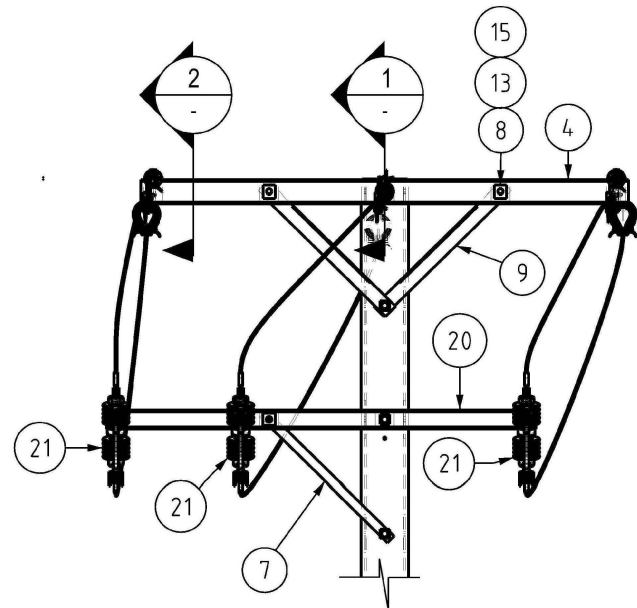
TOP VIEW
1:40



ISOMETRIC VIEW
N.T.S.



FRONT ELEVATION
1:40



SIDE ELEVATION
1:40

NOTES:

- FOR OPEN-CLOSE OC FUSES-AVER INSTALLATION USE EDO ASSEMBLY AND FOR OPEN-CLOSE-OPEN OCO FUSES-AVER INSTALLATION USE HV LINK ASSEMBLY. FUSE RATINGS IN THE EDO TO BE DETERMINED BY POWER SERVICES PROTECTION.
- FUSES-AVER TO BE INSTALLED ON THE LOAD SIDE OF THE EDO.
- FOR SITES WITH AN EXISTING GBS REFER SHEET 3.

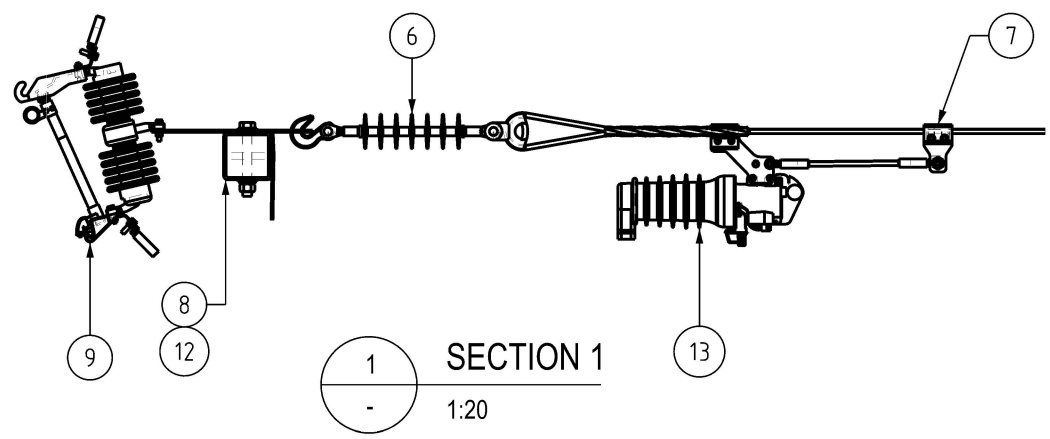
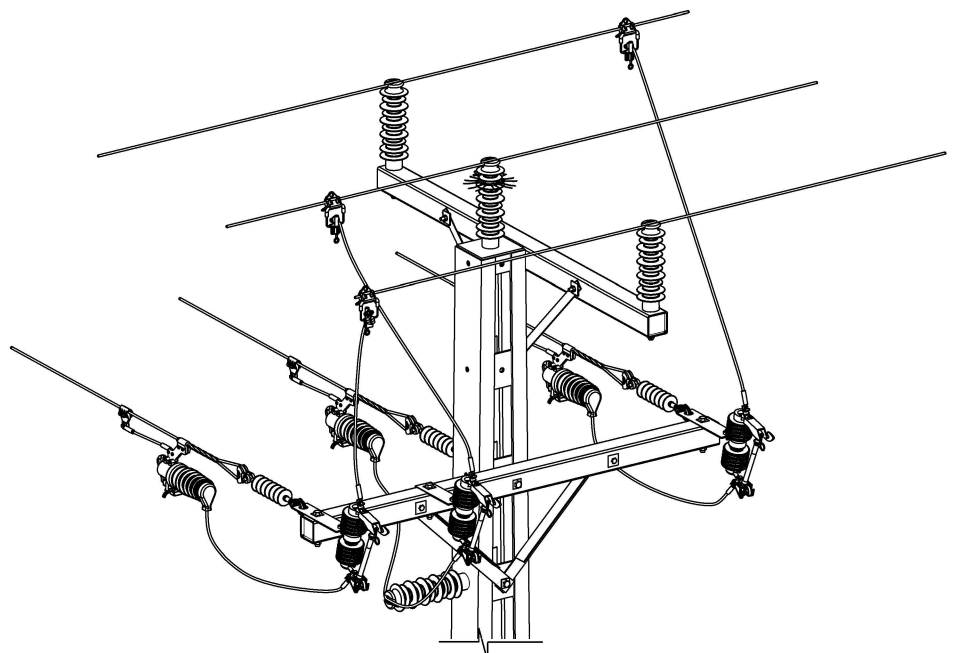
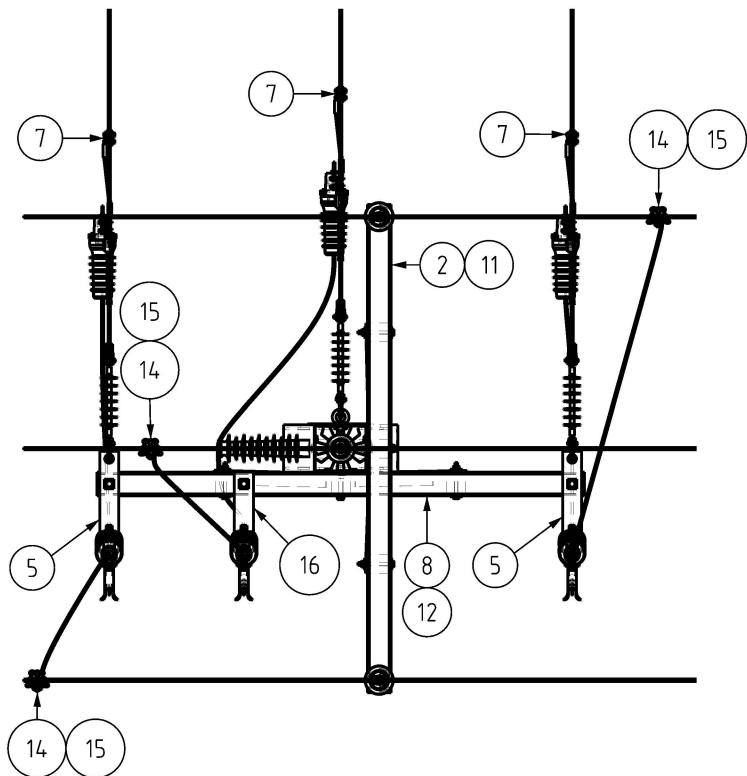
25	3	ALUMINIUM BAIL LIVE LINE CLAMP	239020	S01-01-04-10
24	3	LIVE LINE CLAMP	2121	S01-01-04-17
23	12	LUGS TO SUIT ITEM 22 70mm TYPE E	406766	S02-01-02-11
22	AR	FLEX CU INSULATED 70SQmm CABLE	406718	S02-01-01-34
21	3	HV EDO OR HV LINK ASSEMBLY REFER NOTES 1 & 3	3863 2204	S01-01-06-06 S01-01-06-07
20	1	FIBREGLASS EDO CROSSARM	298547	S01-01-02-10
19	AR	OVERHEAD CONDUCTOR	-	-
18	6	TONGUE HOOK	292680	S01-01-03-09
17	6	THIMBLE CLEVIS	6767	S01-01-03-09
16	3	M24 BOLT 65mm LONG	400800	S01-01-04-43
15	6	M16 SPRING WASHER	114322	S01-01-04-43
14	5	M24 SPRING WASHER	114330	S01-01-04-43
13	12	M16 FLAT SQUARE WASHER	114348	S01-01-04-43
12	10	M24 FLAT SQUARE WASHER	298828	S01-01-04-43
11	2	M24 HV STUD 165/30mm	500500	S01-01-04-44
10	3	PALM PG CLAMP DISCONNECT TEE	2295	S01-01-04-10
9	2	ANGLE CROSSARM BRACE	400815	S01-01-04-38
8	6	M16 BOLT AND NUT 180mm LONG	114561	S01-01-04-43
7	1	CROSSARM BRACE FLAT	298687	S01-01-04-38
6	2	M24 BOLT 180mm LONG	400802	S01-01-04-43
5	2	18kN EYE NUT	298711	S01-01-04-41
4	1	FIBREGLASS HV TERMINATION CROSS ARM 125x125mm	414398	S01-01-02-10
3	2	HV STRAIN PLATE	406938	S01-01-04-37
2	3	22kV FUSES-AVER	-	S01-01-06-18
1	6	22kV 70kN SUSPENSION INSULATOR	292656	S01-01-03-09
ITEM	QTY	DESCRIPTION	ITEM NUMBER	DWG No.

MATERIAL SCHEDULE

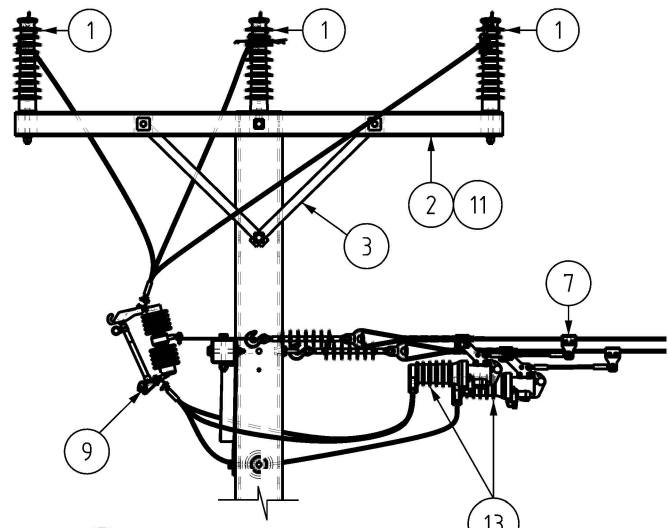
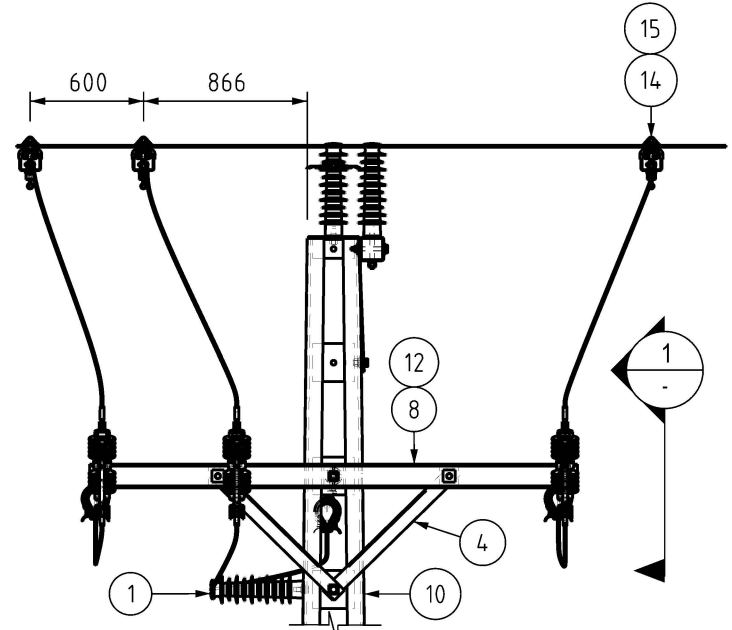
2	REDRAWN. MATERIAL SCHEDULE UPDATED. NOTES 1&2 UPDATED. NOTE 3 ADDED.	C.C.	FEB'21	HE	B.V.
1	TITLEBLOCK & DRAWING NUMBER FORMATTED	K.T.	JAN'19	C.C.	C.C.
0	ISSUED FOR CONSTRUCTION	C.C.	MAY'16	A.T.	B.C.
NO	DESCRIPTION	DRN	DATE	CKD	APPD
AMENDMENTS					



DES	A.TAYLOR	POWER STANDARD DRAWING		
DRN	C.COPPINS	SWITCHGEAR FUSES-AVER INLINE INSTALLATION SHEET 1 OF 3		
CKD	I.BASHIR			
APPD	B.CHEUNG			
SCALE	AS SHOWN	A3	DRAWING NUMBER	S01-02-07-17_1
ISSUED	MARCH 2015			
ALL DIM.	IN mm	CAD PRODUCT - DO NOT AMEND MANUALLY		
DRAFTING STANDARD TO A S 1100		AMDT		



ISOMETRIC VIEW
1:50



FRONT ELEVATION
1:40

SIDE ELEVATION
1:40

ITEM	QTY	DESCRIPTION	ITEM NUMBER	DWG NUMBER
16	1	HV STRAIN PLATE 316x100x6mm	504684	S01-01-04-37
15	3	ALUMINIUM BAIL LIVE LINE CLAMP	239020	S01-01-04-10
14	3	LIVE LINE CLAMP	2121	S01-01-04-17
13	3	22kV FUSES AVER SWITCH	-	S01-01-06-18
12	1	HV D TOP CONSTRUCTION	-	S01-02-01-70
11	1	HV A TOP CONSTRUCTION	-	S01-02-01-17
10	1	UNIVERSAL LINE POLE	-	-
9	3	HV EDO OR HV LINK ASSEMBLY REFER NOTES 1&3 ON SHEET 1	3863 2204	S01-01-06-06 S01-01-06-07
8	1	CROSSARM HV TERMINATION FIBREGLASS	414398	S01-01-02-10
7	3	PALM PG CLAMP DISCONNECT TEE	2295	S01-01-04-10
6	3	22kV 70kN POLYMER SUSPENSION INSULATOR	292656	S01-01-03-09
5	2	HV STRAIN PLATE 426x100x6mm	504683	S01-01-04-37
4	2	CROSSARM BRACE ANGLE	400815	S01-02-01-49
3	2	CROSSARM BRACE FLAT	298687	S01-02-01-49
2	1	CROSSARM HV LINE FIBREGLASS	298802	S01-01-02-10
1	4	INSULATOR CYCLOALIPHATIC VERTICAL LINE POST	300467	S01-01-03-10

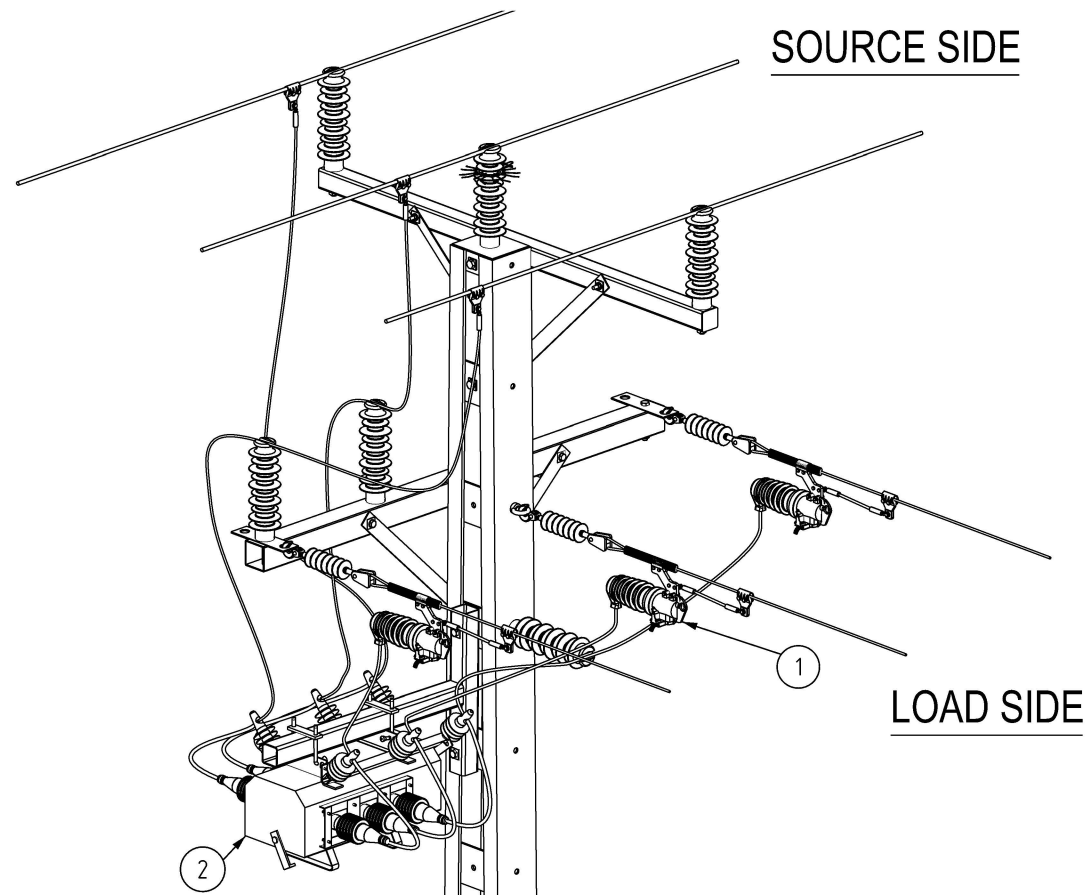
MATERIAL SCHEDULE

NO	DESCRIPTION	DRN	DATE	CKD	APPD
2	REDRAWN. ITEM 5 REMOVED. MATERIAL SCHEDULE UPDATED.	C.C.	FEB'21	H.E.	B.V.
1	TITLEBLOCK & DRAWING NUMBER FORMATTED	K.T.	JAN'19	C.C.	C.C.
0	ISSUED FOR CONSTRUCTION	A.T.	MAY'16	I.B.	B.C.



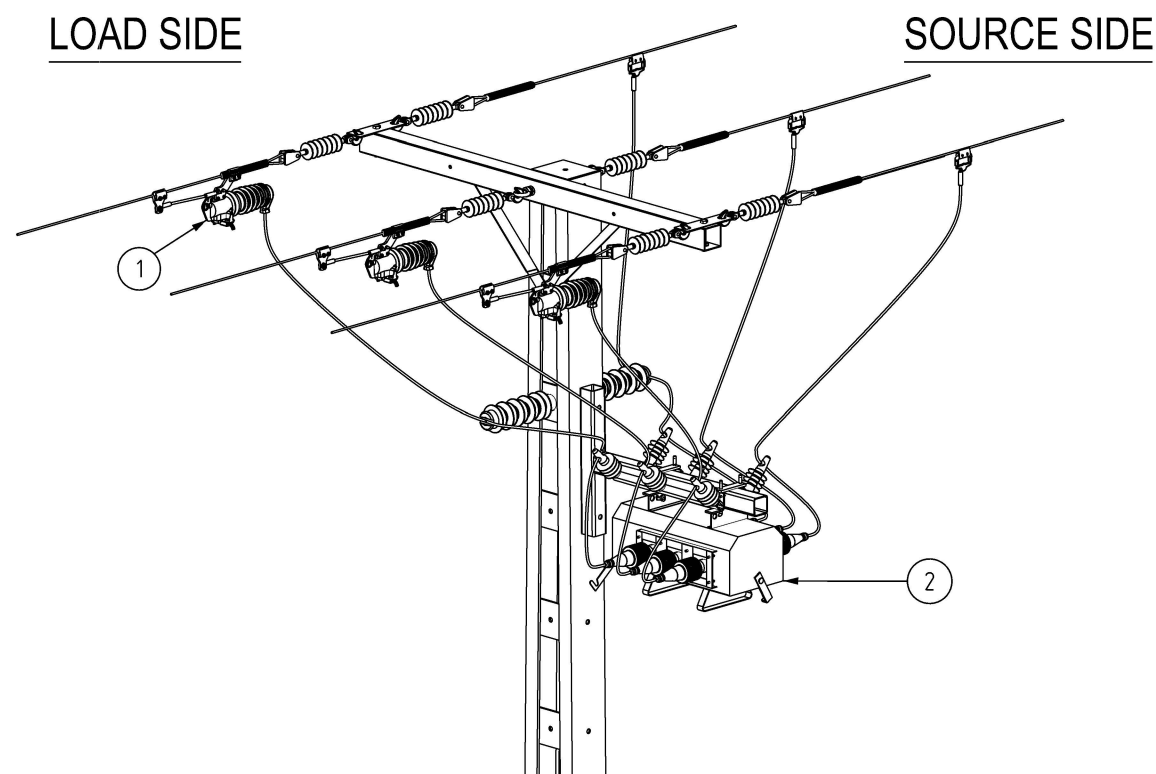
DES		POWER STANDARD DRAWING	
DES	A.TAYLOR	SWITCHGEAR FUSES AVER T-OFF INSTALLATION SHEET 2 OF 3	
DRN	A.TAYLOR		
CKD	B.NARAYANA		
APPD	B.CHEUNG		
SCALE	AS SHOWN		
ISSUED	NOV'14	A3	DRAWING NUMBER S01-02-07-17_2
ALL DIM.	IN mm		
DRAFTING STANDARD TO A.S.1100		CAD PRODUCT - DO NOT AMEND MANUALLY	





ISOMETRIC VIEW
N.T.S.

GBS-FUSES AVER
T-OFF INSTALLATION



ISOMETRIC VIEW
N.T.S.

GBS-FUSES AVER
INLINE INSTALLATION

NOTES:

1. FOR OPEN-CLOSE-OPEN OCO FUSES AVER INSTALLATION ALONG WITH A MID-POLE GBS ONLY.
2. REFER TO STD DWG S01-02-07-11 AND S01-02-07-18 FOR THE GBS INSTALLATION DETAILS.

2	GAS LOAD BREAK SWITCH GBS	-	S01-01-06-17
1	22kV FUSES AVER SWITCH OCO CONFIGURATION	-	S01-01-06-18
ITEM	DESCRIPTION	ITEM No.	DWG NUMBER

MATERIAL SCHEDULE

0	ISSUED FOR CONSTRUCTION	C.C.	FEB'21	H.E.	B.V.
NO	DESCRIPTION	DRN	DATE	CKD	APPD
AMENDMENTS					



DES	HETESAMI	POWER STANDARD DRAWING			
DRN	C.COPPINS	SWITCHGEAR FUSES AVER GBS-FUSES AVER INSTALLATION SHEET 3 OF 3			
CKD	HETESAMI				
APPD	B.VANDERSTELT				
SCALE	AS SHOWN	A3	DRAWING NUMBER	S01-02-07-17_3	
ISSUED	FEBRUARY 2021			CAD PRODUCT - DO NOT AMEND MANUALLY	
ALL DIM. IN mm		AMDT			
DRAFTING STANDARD TO A.S.1100					