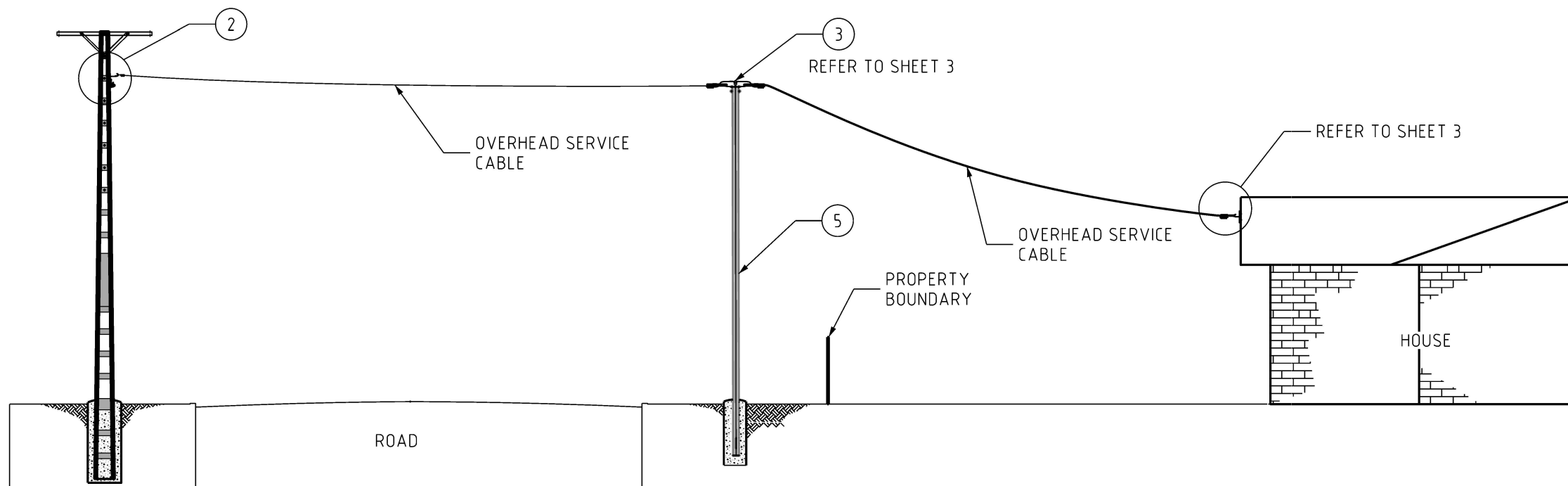


OVERHEAD SERVICE AND UNDERGROUND CONSUMERS MAINS

Scale N.T.S.



OVERHEAD SERVICE AND AERIAL CONSUMERS MAINS

Scale N.T.S.

TABLE 01: DRAWING SCHEDULE	
ITEM	DESCRIPTION
1	SERVICE CONDUCTOR (SEE TABLE 02)
2	TERMINATION - POLE TYPE F.S.T.
3	COLUMN TOP ASSEMBLY TYPE AC T1
4	TERMINATION - HOUSE
5	CLEARANCE POLE
6	SERVICE POLE

TABLE 02: MATERIAL SCHEDULE			
ITEM	CABLE TYPE	SAG	FUSE BASE SIZE
1	2C/4C ABC	1.5M IN 25M	100A

NOTES

- REFER TO DWG. S01-04-02-01 FOR SERVICE FUSE SIZE.
- CLEARANCE TO BE IN ACCORDANCE WITH DRG. S01-04-01-01
- IN RURAL AREAS WHERE THE P.W.C. POLE IS ON THE OPPOSITE SIDE OF THE ROAD THE CONSUMER METERING POLE POINT OF ATTACHMENT SHALL BE LOCATED WITHIN ONE (1) METRE OF PROPERTY BOUNDARY

12 SHEET 2 AMENDED
11 SHEET 3 AMENDED
10 ISSUED FOR CONSTRUCTION

NO	DESCRIPTION	DRN	DATE	CKD	APPD
	AMENDMENTS				

B.B. NOV'24 B.B. B.V.
P.G. JUL'24 B.C. B.V.
P.BH. JUN'23 B.C. B.V.



DES P.BHATTARAI
DRN P.BHATTARAI
CKD B.CHEUNG
APPD B.VANDERSTELT
SCALE AS SHOWN
ISSUED FEB'23
ALL DIM. IN mm
DRAFTING STANDARD TO A.S.1100

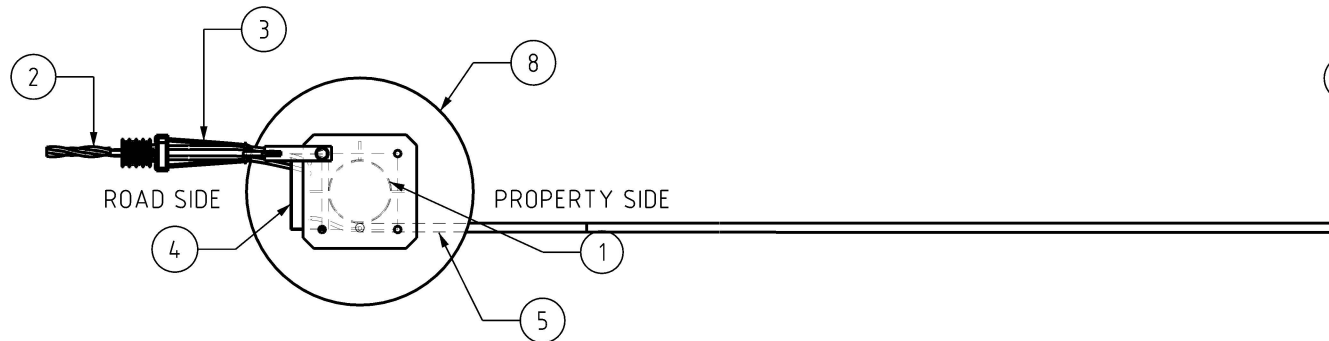
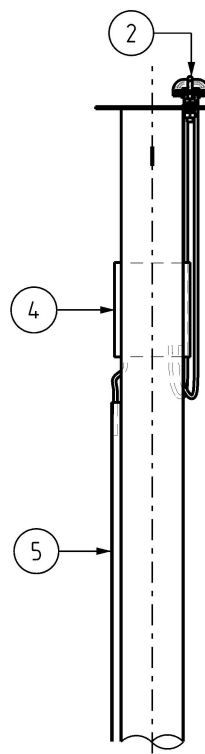
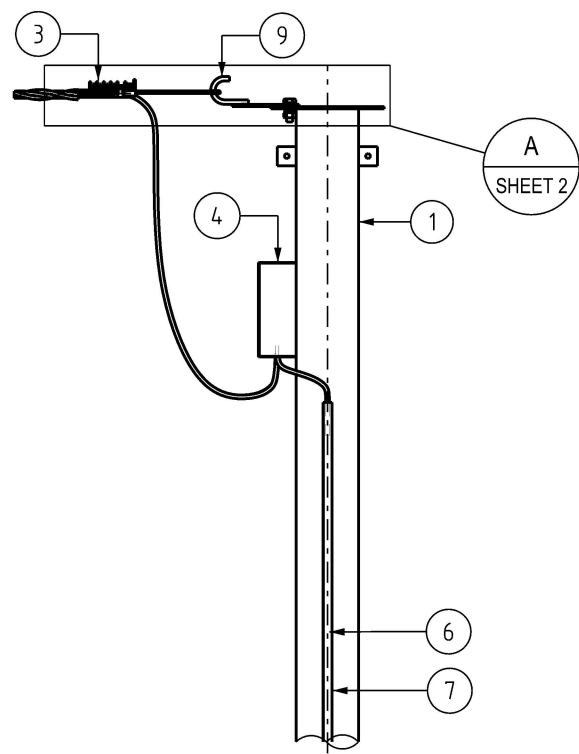
POWER STANDARD DRAWING

LV SERVICES TWISTED CONDUCTOR
GENERAL ARRANGEMENT (SHEET 1 OF 3)

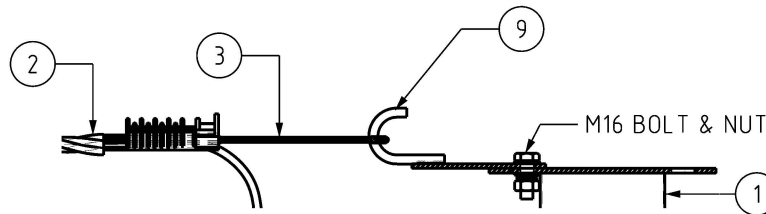
A3 DRAWING NUMBER S01-02-01-08_1

CAD PRODUCT - DO NOT AMEND MANUALLY

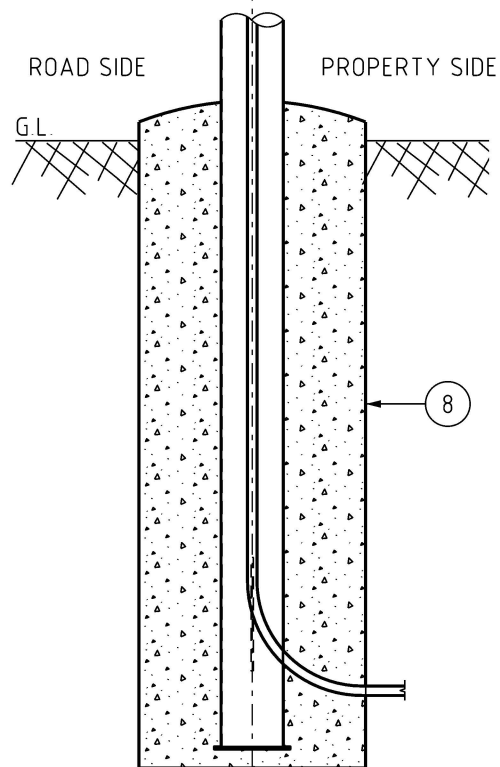
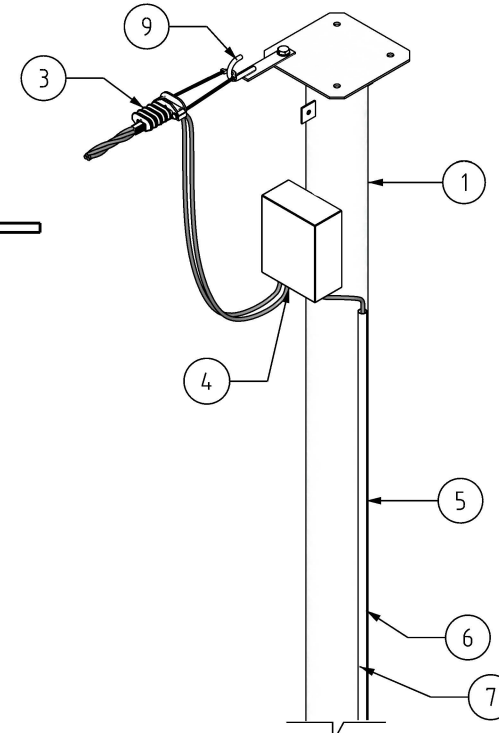




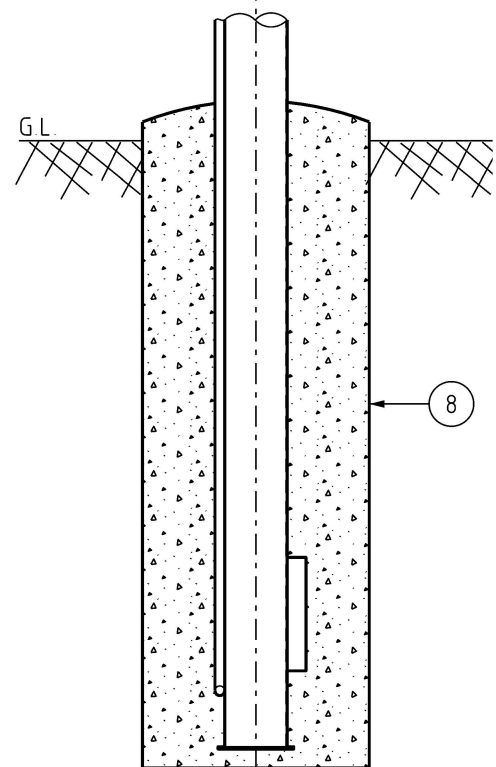
PLAN VIEW
1:20



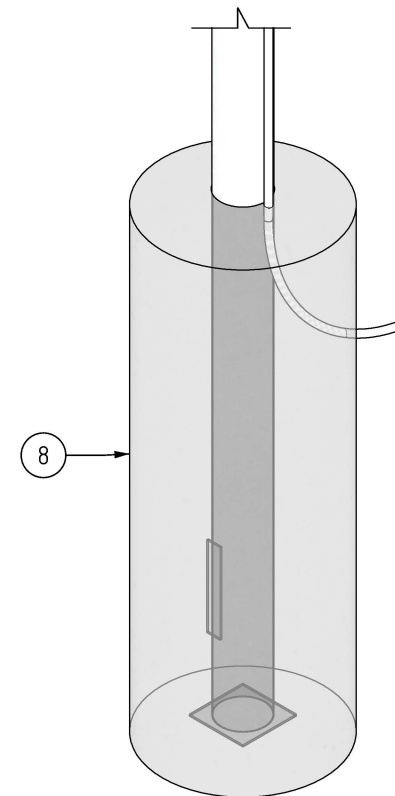
DETAIL
1:10



FRONT ELEVATIONS
1:20



SIDE ELEVATIONS
1:20



ISOMETRIC VIEW
1:20

TABLE 1: DRAWING TAG DETAILS

TAG No.	QTY	DESCRIPTION	DRG NUMBER	ITEM NUMBER	COMMENT
1	1	SERVICE/CLEARANCE POLE OR A FRAME POLE	S01-01-01-39	REFER TO DRG	-
2	1	ABC LV CONDUCTOR, 1φ - 3φ(16 SQ.MM)	S04-01-01-01/ S01-01-07-03	-	IN SITU
3	1	STRAIN CLAMP	S01-01-04-28	251660/408998	-
4	1	MAIN CONNECTION BOX	S04-01-03-04	206169	-
5	1	CONDUIT PVC GREY UV RESISTANT	-	4051	-
6	1	UNDERGROUND LV CABLE INSIDE CONDUIT	S02-04-02-05	-	SEE TABLE 02
7	1	LV CABLE JOINT (IF REQUIRED)	S02-02-02-13	8979	EXAMPLE ONLY FOR LV CABLE JOINT
8	1	CONCRETE FOOTING	S01-04-04-01	-	-
9	1	HOOK STRAP	S01-01-04-07	9324	SERVICE HOOK

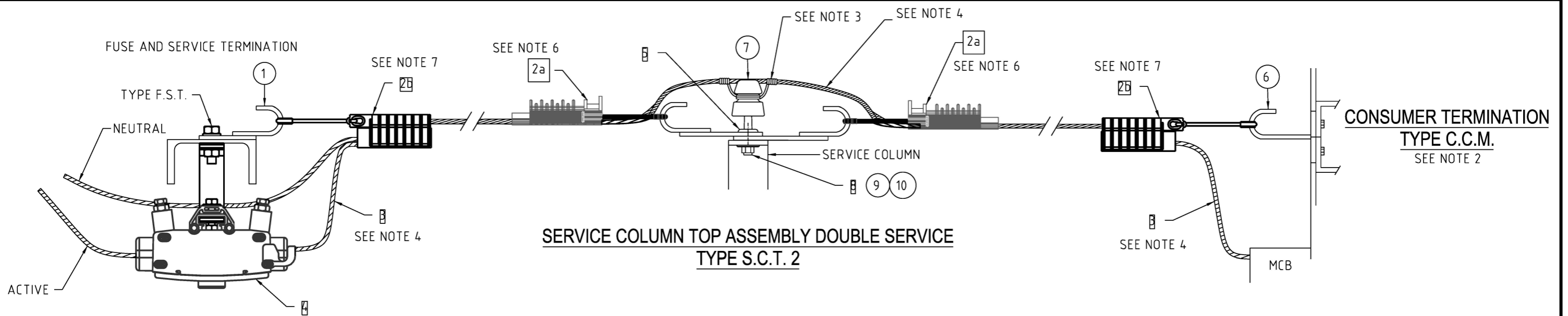
TABLE 2: LV CABLE JOINTING ITEMS

DESCRIPTION	DRG NUMBER	ITEM NUMBER	COMMENT
EXTENSION LV CABLE (BLACK)	S02-01-01-20	9456	-
EXTENSION LV CABLE (RED)	S02-01-01-20	9449	-
HEAT SHRINK	S02-01-02-15	-	AS REQUIRED
10-50mm ² MECHANICAL SHEAR BOLT	S02-01-02-23	505130	AS REQUIRED
COPPER LINK 16-25mm ²	S02-01-02-23	401453	AS REQUIRED
COPPER LINK 25-25mm ²	S02-01-02-23	156422	AS REQUIRED

NO	DESCRIPTION	DRN	DATE	CKD	APPD
2	REMOVE ITEM 5272 & 5298 AND REPLACE WITH 505130	BB	NOV'24	BB	B.V.
1	SHEET 3 AMENDED	P.G.	JUL'24	BC	B.V.
0	ISSUED FOR CONSTRUCTION	P.BH.	JUN'23	BC	B.V.
AMENDMENTS					



DES	B.CHEUNG	POWER STANDARD DRAWING		
DRN	P.BHATTARAI	LV SERVICES TWISTED CONDUCTOR GENERAL ARRANGEMENT (SHEET 2 OF 3)		
CKD	B.VANDERSTELT	A3	DRAWING NUMBER	S01-02-01-08_2
APPD	B.CHEUNG			
SCALE	AS SHOWN	CAD PRODUCT - DO NOT AMEND MANUALLY		
ISSUED	FEB 2023	AMDT		
ALL DIM. IN mm				
DRAFTING STANDARD TO A.S.1100				



**SERVICE COLUMN TOP ASSEMBLY DOUBLE SERVICE
TYPE S.C.T. 2**

**CONSUMER TERMINATION
TYPE C.C.M.
SEE NOTE 2**

NOTES:

2. SERVICE COLUMN ASSEMBLY IS REQUIRED FOR ROAD CROSSINGS OR WHEN CABLE RUNS EXCEED CRITICAL LENGTHS OR FOR DEVIATION REQUIREMENTS. MULTIPLE SERVICE COLUMNS ARE PERMITTED AS NEEDED.

OPTION A - DEVIATION 0°-10°. LINE TIE ON LV PIN INSULATOR. DEPENDING ON SERVICE CABLE LENGTH, SELECT CORRECT SERVICE CLAMP. REFER DWG S01-01-04-28 & S01-01-04-29.

OPTION B - DEVIATION 10° OR GREATER. USE SERVICE SUSPENSION CLAMP ON HOOK BRACKET. REFER DWG S01-01-04-29. REFER TO TABLE 02 FOR SUITABLE POLE TYPE.
3. DOUBLE INSULATED TERMINATIONS ARE ACHIEVED BY USING A DOUBLE INSULATED LV SERVICE CLAMP AND BY MAINTAINING CABLE CLEARANCES FROM METAL FITTINGS. IN ORDER TO MAINTAIN SEPARATION, SHAPE SERVICE CONDUCTOR TO ACHIEVE MAXIMUM PRACTICABLE SEPARATION.
4. REFER TO TABLE 02 FOR SUITED POLE IN ACCORDANCE WITH DEVIATION ANGLE AND CABLE SIZE. 95 / 150 4C ABC CUSTOMER TERMINATION POLES MUST BE 'A' FRAME POLES.
5. ALL ROAD CROSSINGS, INCLUDING THOSE WITH A SINGLE PHASE, MUST HAVE ITEM 2 FROM DRAWING S01-01-04-28.
6. FOR ALL 3 PHASE SERVICES OR ANY SINGLE PHASE SERVICE GREATER THAN 40 METERS IN LENGTH USE ITEM 2 IN S01-01-04-28 AS SERVICE CLAMP.
7. ALL SERVICES SHALL NOT BE SUBJECTED TO AERIAL TRESPASS.
8. THIS DRAWING IS TO BE READ IN CONJUNCTION WITH PWC NP003-INSTALLATION RULES.
9. IF THE SPAN IS LESS THAN 10M & SLACK SPAN, A ROUND POLE CAN BE USED TO TERMINATE AN ABC CABLE OF EITHER THE 95 OR 150 SQ.MM SIZE, BUT ONLY WITH PRIOR APPROVAL FROM THE PWC PROJECT OFFICER.
11. ITEM 6, THE J HOOK SHOWN IS THE PREFERRED ANCHOR TYPE FOR ATTACHING THE SERVICE CLAMP TO RESIDENTIAL PROPERTIES. OTHER VARIATIONS ARE ACCEPTABLE, HOWEVER THE ANCHOR SHALL PROVIDE THE FOLLOWING REQUIREMENTS:
 - a. THE ANCHOR AND MOUNT SHALL BE SUITABLE FOR INSTALLATION OF THE APPROVED SERVICE CLAMP.
 - b. THE ANCHOR SHALL ALLOW ATTACHMENT AND DETACHMENT WITHOUT THE NEED TO USE FASTENERS.
 - c. THE ANCHOR SHALL HOLD THE SERVICE CLAMP SECURELY IN PLACE UNDER ALL REASONABLE IN-SERVICE CONDITIONS BY PREVENTING THE SERVICE CLAMP FROM SLIDING OFF THE HOOK.

TABLE 01: MATERIAL SCHEDULE

ITEM	DESCRIPTION	ITEM NUMBER	DRG NUMBER
1	HOOK STRAP	9324	S01-01-04-07
2a	CLAMP STRAIN SERVICE	251660/408998	S01-01-04-28
2b	CLAMP STRAIN SERVICE	251660/408998/415585	S01-01-04-28/S04-01-02-11
3	TWISTED SERVICE CONDUCTOR 2x16 SQ.MM	286088	S01-01-07-03
4	SERVICE FUSE ASSEMBLY (100A)	241109	S01-01-04-49
5	PIN, LV INSULATOR	3251	S01-01-04-01
6	J HOOK - BY CONSUMER	-	-
7	PIN INSULATOR LPLV	3277	S01-01-03-01
8	BOLT M16 x 50 MM, HEX HEAD, STEEL, C/W NUT	114504	S01-01-04-43
9	GALV. STEEL WASHER SPRING M16	114322	S01-01-04-43
10	GALV. STEEL WASHER FLAT M16	113985	S01-01-04-43

TABLE 02: SUITABLE POLE TYPE IN ACCORDANCE WITH DEVIATION ANGLE, CABLE SIZE, & INSTALLATION METHOD

DEVIATION ANGLE	INSTALLATION METHOD	CABLE SIZE			
		16 2C ABC	16 4C ABC	95 4C ABC	150 4C ABC
0° - 5°	TERMINATION	ROUND POLE	ROUND POLE	'A' FRAME POLE	'A' FRAME POLE
	CLEARANCE	ROUND POLE	ROUND POLE	ROUND POLE	ROUND POLE
5° - 45°	TERMINATION	ROUND POLE	ROUND POLE	'A' FRAME POLE	'A' FRAME POLE
	CLEARANCE	ROUND POLE	ROUND POLE	'A' FRAME POLE	'A' FRAME POLE
>45°	TERMINATION	'A' FRAME POLE	'A' FRAME POLE	'A' FRAME POLE	'A' FRAME POLE
	CLEARANCE	'A' FRAME POLE	'A' FRAME POLE	'A' FRAME POLE	'A' FRAME POLE

NOTE: PULLING TENSION AND TERMINATION/CLEARANCE CABLE SPAN LENGTH MUST NOT EXCEED 13kN AND/OR 40 METERS.

NO	DESCRIPTION	DRN	DATE	CKD	APPD
12	SHEET 2 AMENDED	B.B.	NOV'24	B.V.	B.B.
11	ADDED NOTE 11.	P.G.	JUL'24	B.C.	B.V.
10	SHEETS 1 & 2 ADDED. TABLE 02 ADDED. TABLE 01 REARRANGED. NOTE 3 AMENDED.	P.BH	JUN'23	B.C.	B.V.
9	NOTES 5, 6, 7, 8, 9 & 10 ADDED. REMOVED NOTE 1.	C.C.	JUN'21	B.C.	B.V.
8	CLAMPS UPDATED & NOTES 2 & 3 AMENDED AND NOTE 4 ADDED, TABLE REFORMATTED, UPDATED ITEMS 2, 3, 4, 7, 8, 9 & 10 AND TITLE	CWM	MAY'20	A.T.	H.E.
7	DRAWING UPDATED	J.A.L.	JAN'00	G.H.	F.R.R.
6	REDRAWN ON MICROSTATION. SUPERCEDED ITEMS CHANGED.	-	AUG'87	-	Q.L.J.
5	TITLE AND NUMBER CHANGED.	-	JAN'87	-	B.K.
5	DRG. NUMBERS AMENDED.	-	-	-	-



DES		POWER STANDARD DRAWING	
R.H.			
DRN	G.A.W.		
CKD	R.H.	LV SERVICES TWISTED CONDUCTOR GENERAL ARRANGEMENT (SHEET 3 OF 3)	
APPD	-		
SCALE	N.T.S.		
ISSUED	JAN'82	A3	DRAWING NUMBER S01-02-01-08_3
ALL DIM. IN mm			
DRAFTING STANDARD TO A.S.1100		CAD PRODUCT - DO NOT AMEND MANUALLY	