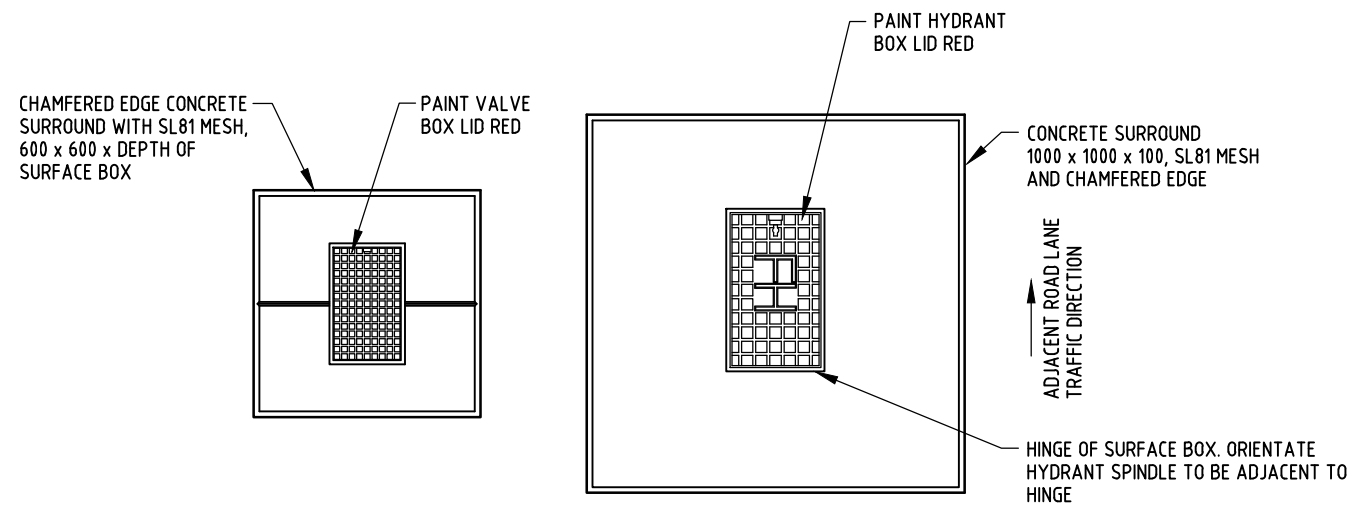


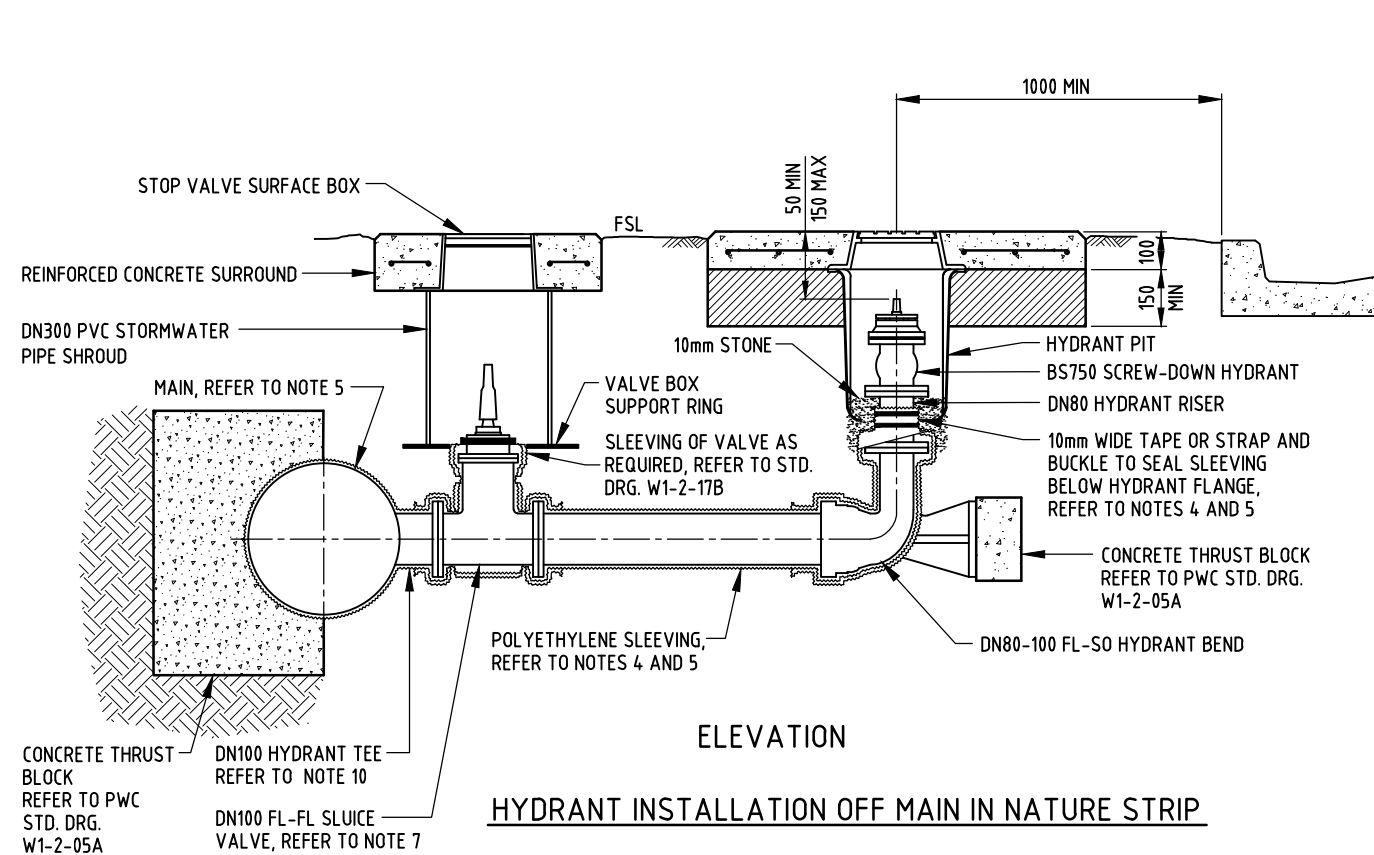
FOR POTABLE WATER ONLY



PLAN

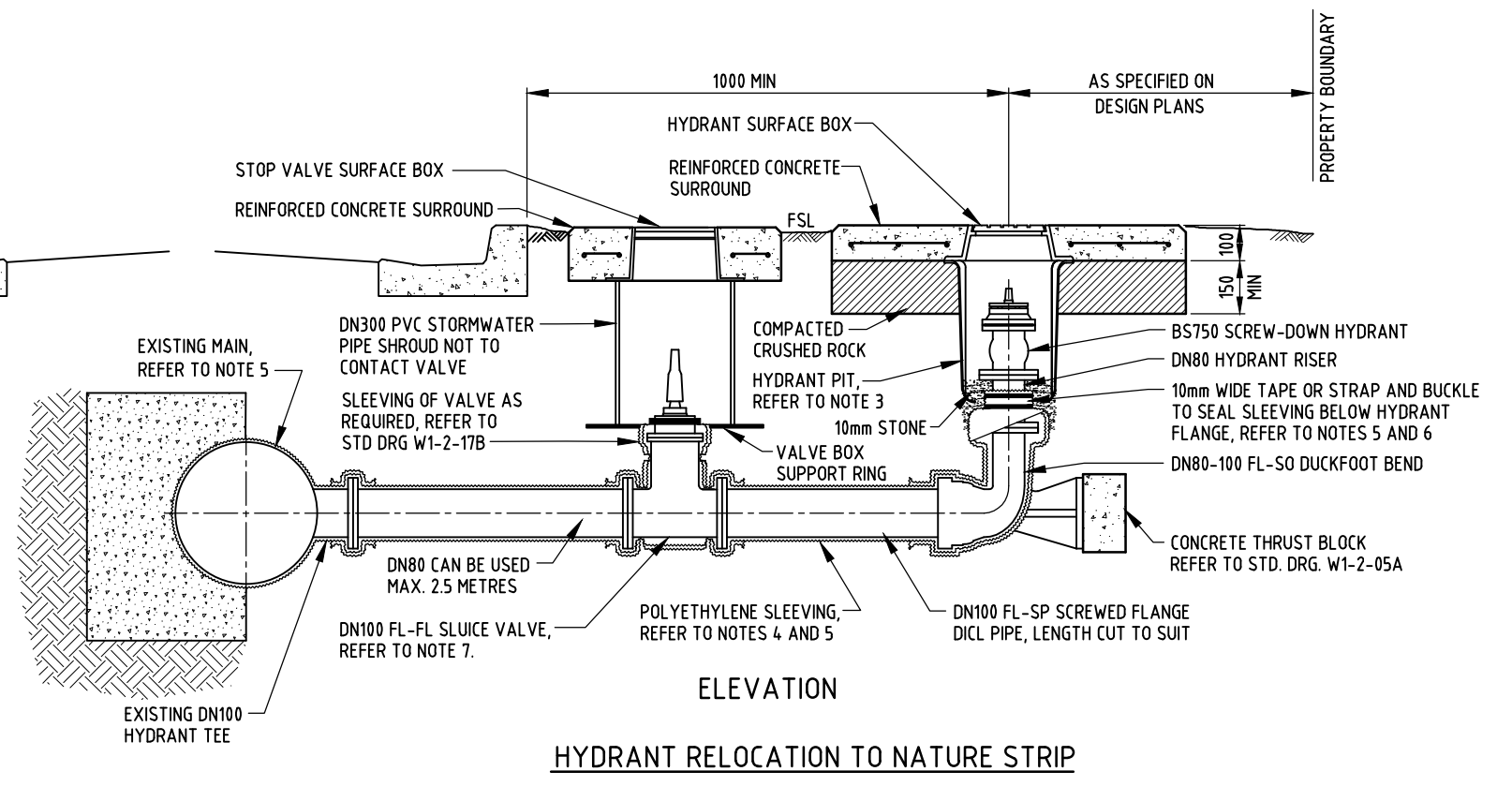
NOTES

- ALL DIMENSIONS ARE IN MILLIMETRES UNLESS NOTED OTHERWISE.
- ONLY INSTALL HYDRANTS IN ROADWAYS WHERE APPROVED BY POWER AND WATER CORPORATION. REFER TO STANDARD DRAWING W1-2-03C FOR INSTALLATION IN ROADWAYS.
- KEEP SLUICE VALVE SHROUDS AND HYDRANT PIT CLEAR OF VALVES, HYDRANTS AND RISER TO PREVENT THE TRANSFER OF TRAFFIC LOAD TO THE PIPELINE.
- READ THIS DRAWING IN CONJUNCTION WITH STANDARD DRAWING W1-2-17A MAINLAYING APPLICATION OF POLYETHYLENE SLEEVING FOR CORROSION PROTECTION OF DICL PIPES AND STANDARD DRAWING W1-2-17B MAINLAYING APPLICATION OF POLYETHYLENE SLEEVING FOR CORROSION PROTECTION OF DICL FITTINGS.
- FOR DICL MAINS, WRAP PIPES AND FITTINGS WITH POLYETHYLENE SLEEVING. FOR PVC OR GRP MAINS, USE APPROVED DI FITTINGS HAVING INTERNAL AND EXTERNAL POLYMERIC COATING. SUBJECT TO WATER AND SEWAGE INFRASTRUCTURE PRODUCTS MANUAL USAGE LIMITATIONS DICL FITTINGS WRAPPED IN POLYETHYLENE SLEEVING CAN BE USED AS AN ALTERNATIVE.
- LOCATE HYDRANTS CLEAR OF DRIVEWAYS. LOCATE HYDRANTS CLEAR OF FOOTPATHS EXCEPT WHERE FOOTPATH PAVING EXTENDS THE WIDTH OF THE NATURE STRIP.
- PROVIDE AN EXTENSION SPINDLE WHERE THE TOP OF THE VALVE SPINDLE IS GREATER THAN 350mm BELOW FSL.
- CONCRETE FOR THRUST AND ANCHOR BLOCKS & GENERAL CONCRETING SHALL BE CLASS N25 IN ACCORDANCE WITH AS.1379 AND AS.3600.
- USE ONLY THOSE MANUFACTURERS' PRODUCTS SHOWN APPROVED IN THE WATER AND SEWAGE INFRASTRUCTURE PRODUCTS MANUAL.
- FOR NEW CONSTRUCTION, USE SO-SO-FL HYDRANT TEE, SO-SP-FL HYDRANT TEE PERMITTED ON NEW DICL MAINS. REFER TO STANDARD DRAWING W1-1-16 FOR CONNECTION TO EXISTING MAINS.



ELEVATION

HYDRANT INSTALLATION OFF MAIN IN NATURE STRIP



ELEVATION

HYDRANT RELOCATION TO NATURE STRIP

NO	DESCRIPTION	DRN	DATE	CKD	APPD
5	GENERAL AMENDMENTS 2021.	PW	JUNE'21	JR	DC
4	REDRAWN IN AUTOCAD.	AW	OCT'18	JR	DC
3	DETAILS A & B REMOVED. DN80-100 TAPER REMOVED. TEXT AMENDED TO SUIT.	AJM	MAR'11	RJ	RJ
2	NOTE 10 ADDED. GENERAL AMENDMENT.	RGI	JUN'10	RJ	RJ
1	NOTES 2, 3, 5 AND 8 CHANGED. TEXT REFERENCES CHANGED.	RGI	MAY'03	MCH	NWM
AMENDMENTS					



DES	NWM/CMW	WATER STANDARD DRAWING		
DRN	RGI	MAINLAYING		
CHK	CMW	BS750 SCREW-DOWN HYDRANT INSTALLATION IN NATURE STRIP OFF DN300 - DN750 MAINS		
APPD	NWM	A3	DRAWING NUMBER	5
SCALE	N.T.S.		W1-2-03B	AMDT
ISSUED	MAY'01	CAD PRODUCT - DO NOT AMEND MANUALLY		
ALL DIM. IN mm		DRAFTING STANDARD TO A.S.1100		