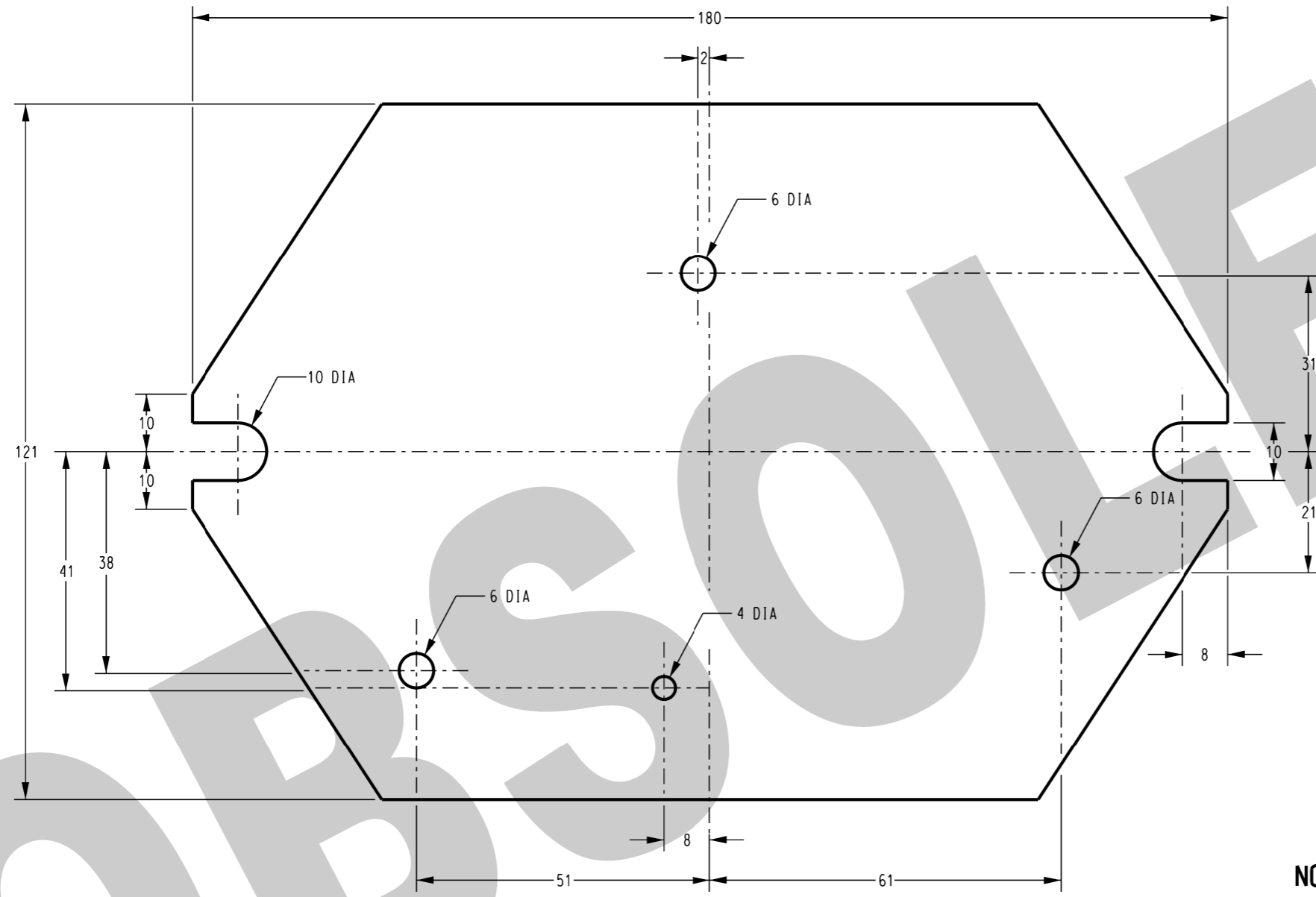



ITEM NUMBER : 291401



PLAN

NOTES:

1. HEAT SHIELD FABRICATED FROM 1.5mm GALVANISED SHEET.

						DES F. ROBSON		POWER STANDARD DRAWING	
						DRN R. INNES		BATHURST / DARWIN STREETLIGHT CONTROL GEAR TRAY HEAT SHIELD	
						CKD -			
						APPD F. ROBSON		A3 DRAWING NUMBER S03-01-05-15	
						SCALE 1:1			
						ISSUED APR '01		2	
						ALL DIM. IN mm			
						DRAFTING STANDARD TO A.S.1100		CAD PRODUCT - DO NOT AMEND MANUALLY	
2 OBSOLETE 1 TITLEBLOCK & DRAWING NUMBER FORMATTED		R.A. K.T.	AUG '21 FEB '19	C.C.C. C.C.	B.V. C.C.	 NORTHERN TERRITORY			
NO	DESCRIPTION	DRN	DATE	CKD	APPD				
AMENDMENTS									