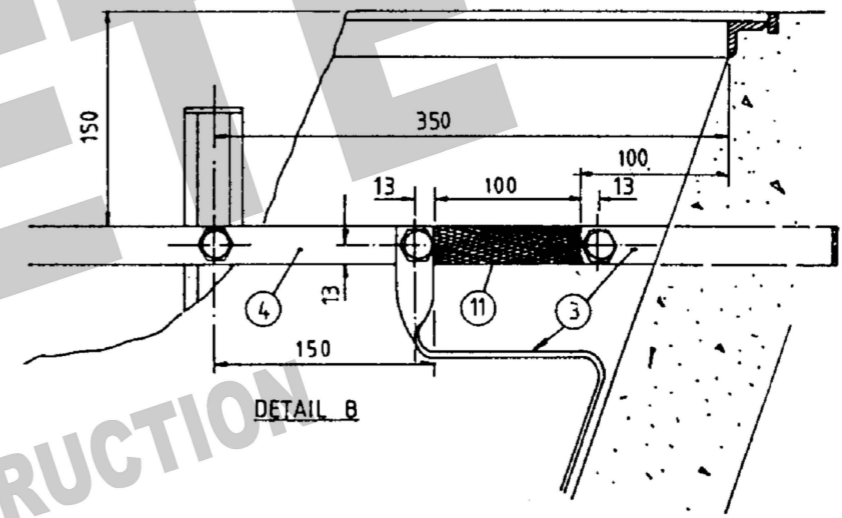
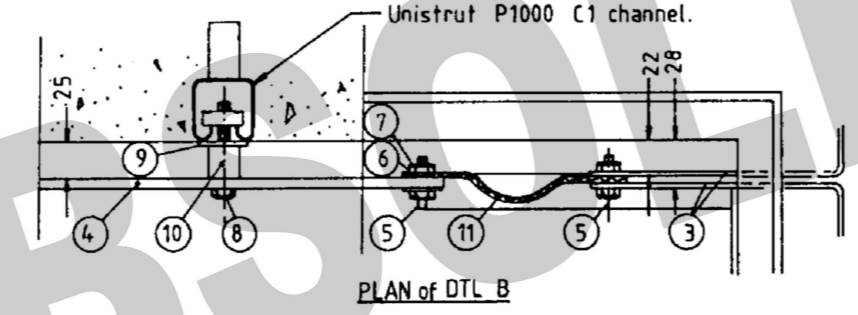
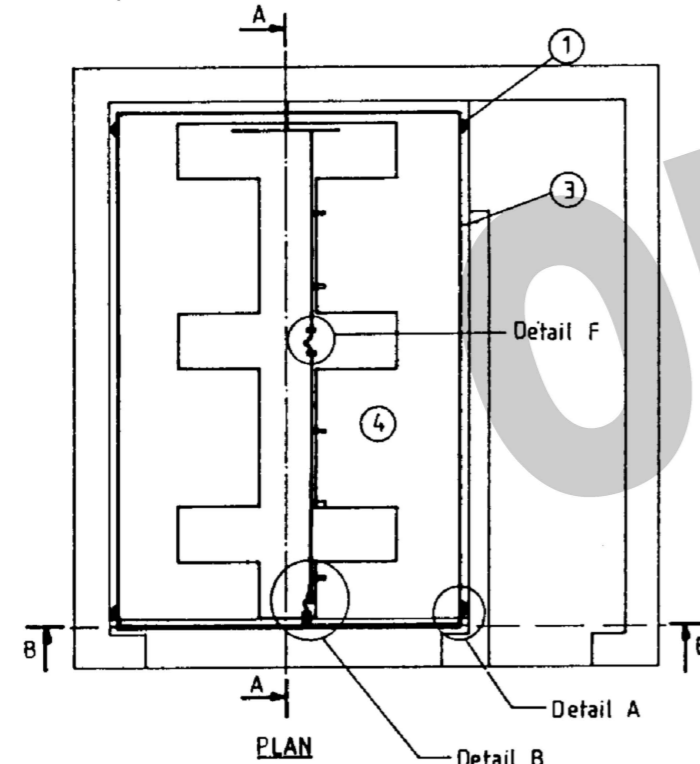
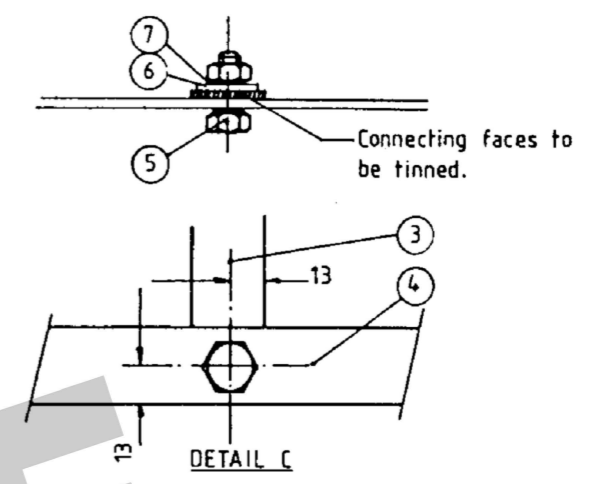
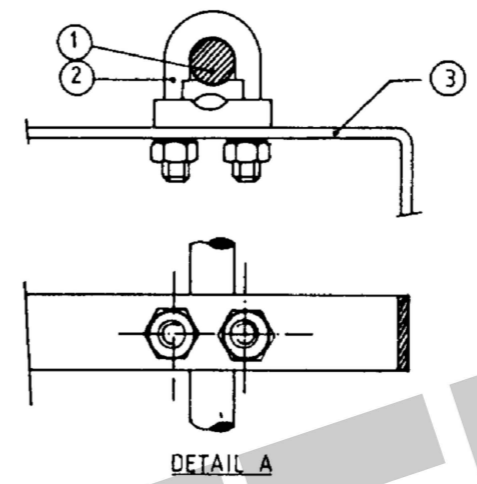
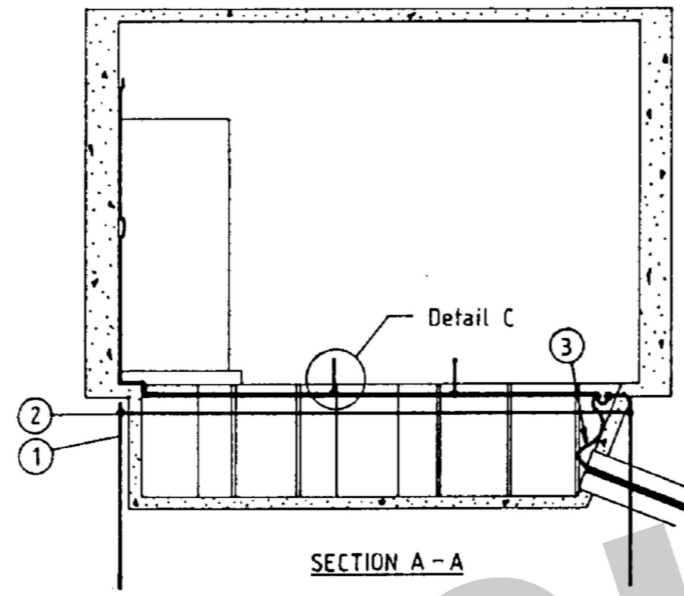
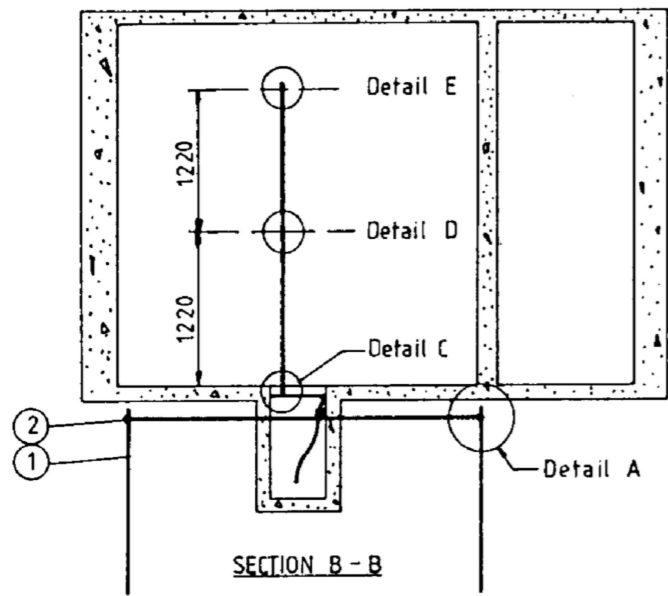
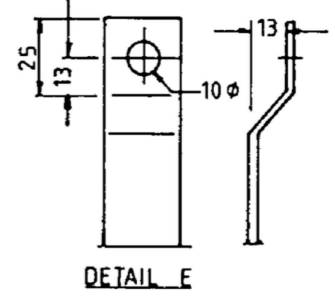
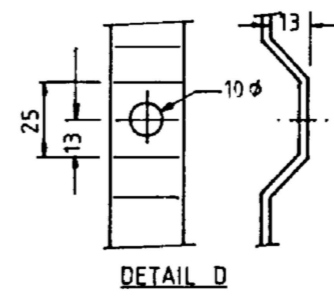
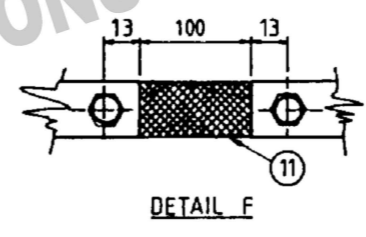


3RD ANGLE — DO NOT SCALE — REPORT ANY ERRORS, OMISSIONS TO DRAFTING OFFICE



Nº	QTY.	DESCRIPTION	ORG. N°	ITEM NUMBER
11	2	braid -earth- flexible -230		1685
10	7	conduit-steel- galv. -19 x 25 lg		8455
9	6	washer-flat-steel-galv. -10		114272
8	6	bolt-hex hd.cad.-BSW -64x10		
7	7	washer-spring -10		114264
6	12	washer-flat-brass -10		
5	7	bolt-hex hd.cad.- M10 x 25		11405
4	as req	busbar-copper-rect. - 25 x 10		
3	as req	busbar-copper-earthing-25 x 3		3801
2	4	clamp for earth rod 14φ		2154
1	4	electrode-earthing-rod - 14φ		1613



NOTES:
 1. With test link disconnected resistance of earth mat and /or electrode shall be 30 ohms maximum.
 2. With test link connected resistance of earth mat and /or and neutral shall be 1.0 ohms maximum. Substation shall not be energised until this figure has been achieved.

NO	DESCRIPTION	DRN	DATE	CKD	APPD
4	OBSOLETE	C.C.	JUN'20	B.C.	B.V.
3	TITLEBLOCK & DRAWING NUMBER FORMATTED	K.T.	APR'19	C.C.	C.C.
2	TITLE AND DRAWING NUMBER CHANGED	-	JUN'88	-	-
1	STOCK CODE AMENDMENT	-	MAR'87	-	-
AMENDMENTS					



DES	J.HASSANEN	POWER STANDARD DRAWING	
DRN	S.JACKSON	EARTHING INDOOR SUBSTATION GENERAL ARRANGEMENT	
CKD	-		
APPD	-	A3	DRAWING NUMBER
SCALE	-		
ISSUED	5/02/6	S02-02-05-02	
ALL DIM.	IN mm		
DRAFTING STANDARD TO A.S.1100		CAD PRODUCT - DO NOT AMEND MANUALLY	

