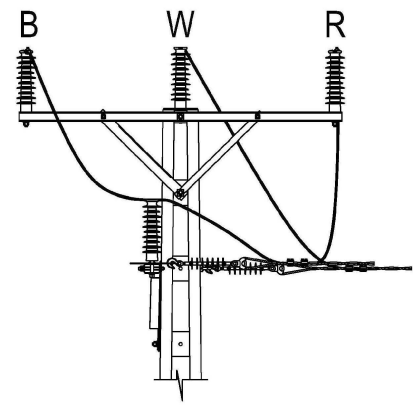
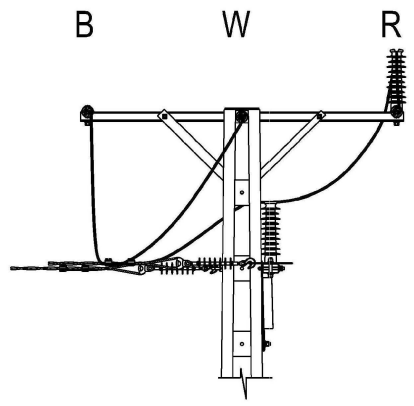


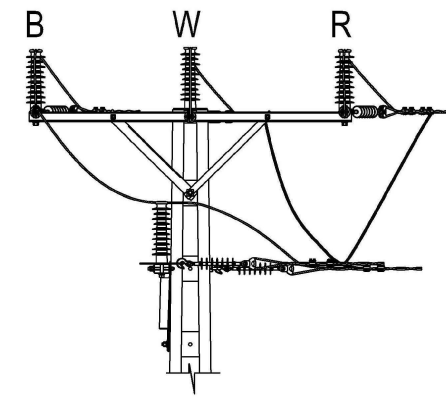
TYPE F



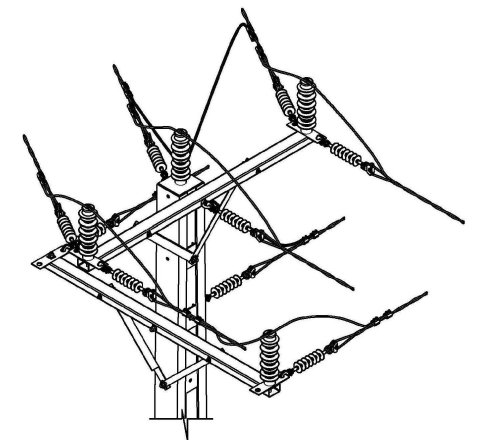
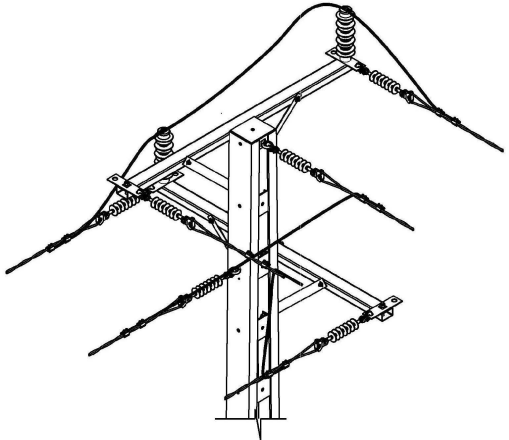
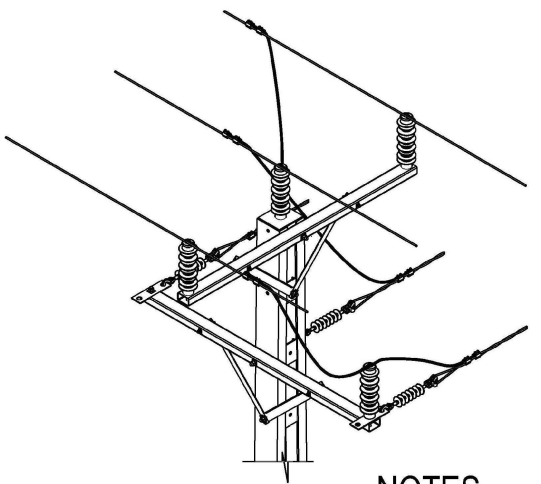
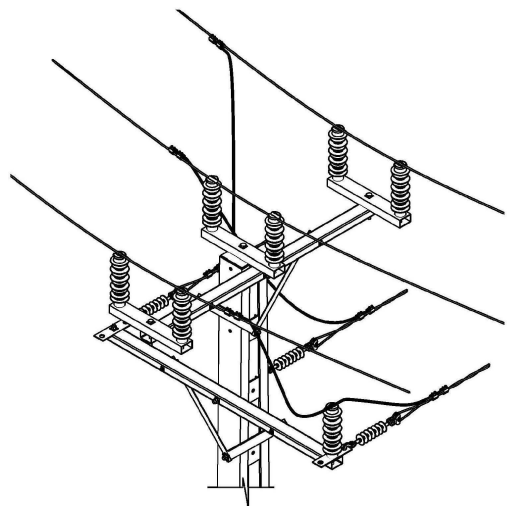
TYPE G



TYPE H



TYPE K



NOTES

- IDENTIFICATION OF CONDUCTORS
 - R : RED PHASE
 - W : WHITE PHASE
 - B : BLUE PHASE
- MAINTAIN PHASING WITH RED TOWARDS ROADWAY.
- ALL POLES ARE TO BE EARTHED IN ACCORDANCE WITH S01-02-03-19.

NO	DESCRIPTION	DRN	DATE	CKD	APPD
1	CHANGE CROSSARM POSITION TYPE H	C.C.	DEC'20	B.V.	B.C.
0	ISSUED FOR CONSTRUCTION	CWM	FEB'20	B.V.	B.C.
AMENDMENTS					



DES	B.VANDERSTELT	POWER STANDARD DRAWING	
DRN	C.MCLAREN	POLE TOP UNITS H.V TYPES F,G,H & K FOR UNIVERSAL POLE CONSTRUCTION	
CKD	B.CHEUNG		
APPD	B.CHEUNG	A3	DRAWING NUMBER S01-02-02-46
SCALE	N.T.S		
ISSUED	FEB 2020	CAD PRODUCT - DO NOT AMEND MANUALLY	
ALL DIM. IN mm			
DRAFTING STANDARD TO A S 1100		AMDT	