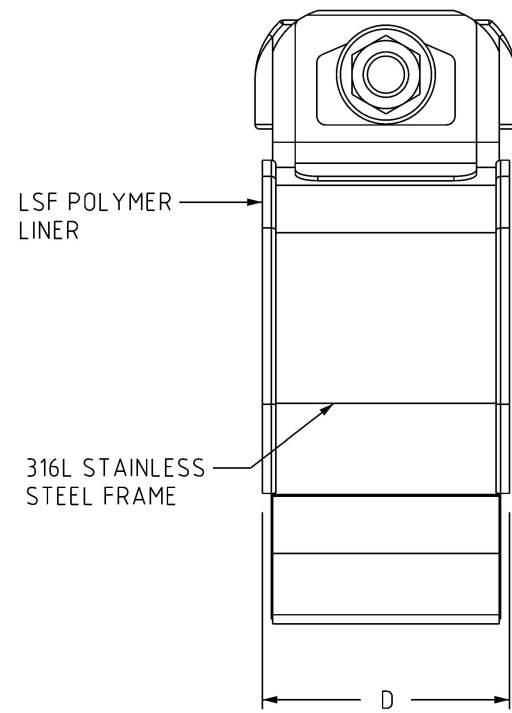


FRONT VIEW
N.T.S.



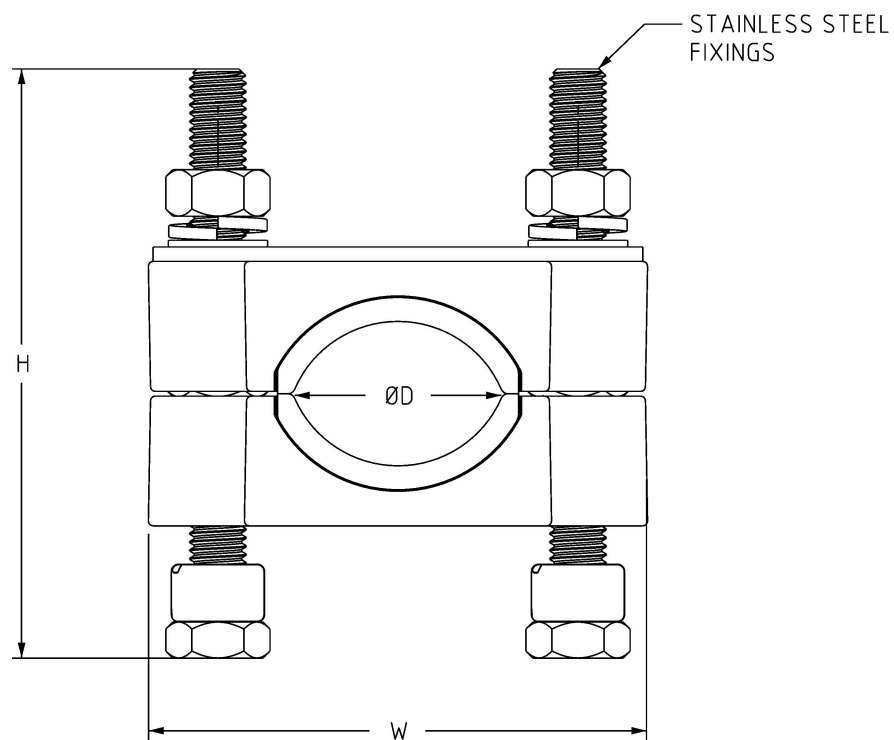
LSF POLYMER LINER

316L STAINLESS STEEL FRAME

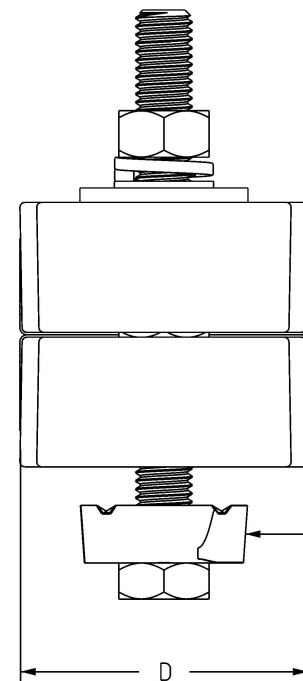
END VIEW
N.T.S.

MULTI-CORE CABLE CLEATS, ITEMS 1-2
4-CORE CLEATS FOR RUNNING LV CABLES UP OVERHEAD POLES AND CLAMPING LV CABLES INSIDE INDOOR SUBSTATIONS.
MAXIMUM CLEAT SPACING OF 1500mm.

ITEM NUMBER	CABLE DIAMETER (mm)	H (mm)	W (mm)	D (mm)	APPLICABLE CABLES
503116	26-27mm	113mm	70mm	54mm	4 x LV 240sqmm DISTRUBUTION
503120	35-42mm	148mm	103mm	54mm	4 x LV 400 OR 500sqmm FLEXIBLE



FRONT VIEW
N.T.S.



END VIEW
N.T.S.

SINGLE CORE CABLE CLEATS, ITEMS 3-5
FOR SUPPORTING SINGLE CORE HV CABLES IN PACKAGE SUBSTATION AND RMU FOUNDATIONS AND INSIDE INDOOR SUBSTATIONS.
MAXIMUM CLEAT SPACING OF 1000mm.

ITEM NUMBER	CABLE DIAMETER (mm)	H (mm)	W (mm)	D (mm)	APPLICABLE CABLES
503117	26-38mm	90mm	90mm	60mm	11KV 35, 95sqmm AND 22KV 35sqmm
503119	38-50mm	115mm	104mm	60mm	11KV 240, 300, 400sqmm AND 22KV 120, 240sqmm
503118	50-60mm	115mm	133mm	60mm	11KV 630, 800sqmm AND 22KV 400, 630sqmm

STRUT NUT INCLUDED WITH CLEAT

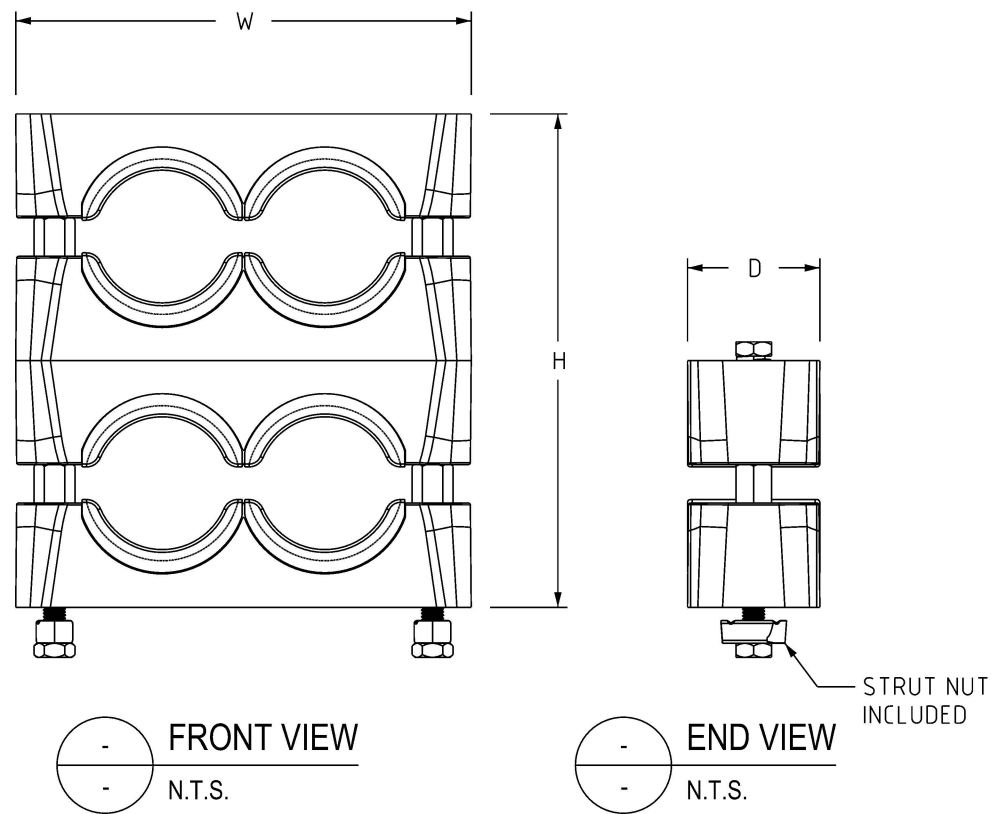
1 SHEET 2 ADDED
0 ISSUED FOR CONSTRUCTION

NO	DESCRIPTION	DRN	DATE	CKD	APPD
	AMENDMENTS				

CC. SEP'19 B.V. B.C.
A.T. FEB'15 B.V. B.C.

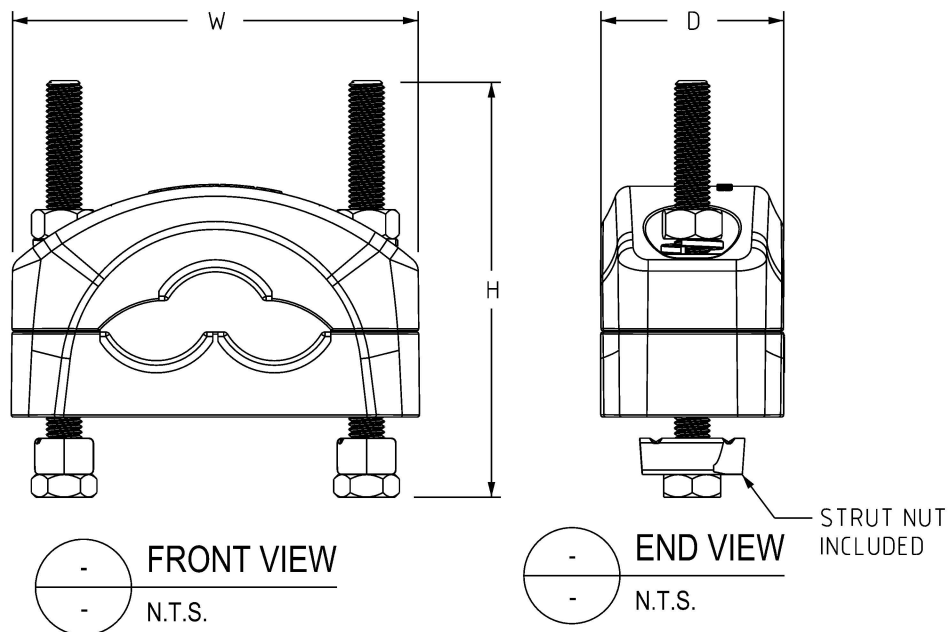


DES		POWER STANDARD DRAWING	
DES	A.TAYLOR	CABLE ACCESSORIES, CABLE CLEATS, HV AND LV (SHEET 1 OF 2)	
DRN	A.TAYLOR	A3	DRAWING NUMBER S02-01-09-03_1
CKD	I.BASHIR		
APPD	B.CHEUNG	DRAFTING STANDARD TO A.S.1100	
SCALE	N.T.S.	CAD PRODUCT - DO NOT AMEND MANUALLY	
ISSUED	FEBRUARY 2015	AMDT	
ALL DIM. IN mm			



MULTI CORE CABLE CLEATS ITEM 6
4 CORE CLEATS FOR LV CABLE SUPPORT IN INDOOR SUBSTATIONS.

ITEM NUMBER	CABLE DIAMETER	H(mm)	W (mm)	D(mm)	APPLICABLE CABLES
504350	26-38mm	171	135	60	240-500mm Cu Flexible and 240mm AL 0.6/1kV XLPE



TREFOIL CABLE CLEATS, ITEM 7-9
FOR SUPPORT OF 3 x SINGLE CORE HV CABLE IN INDOOR SUBSTATION AND POLE TERMINATIONS.

ITEM NUMBER	CABLE DIAMETER	H(mm)	W (mm)	D(mm)	APPLICABLE CABLES
504347	26-38mm	130	135	60	35mm, 95mm - 11kV and 35mm - 22kV
504348	38-50mm	123	170	60	240,300,400mm - 11kV and 120,240 - 22kV
504349	50-60mm	136	200	60	630,800mm - 11kV and 400, 630mm - 22kV

1	SHEET 2 ADDED	CC.	SEP'19	B.V.	B.C.
0	ISSUED FOR CONSTRUCTION	A.T.	FEB'15	B.V.	B.C.
NO	DESCRIPTION	DRN	DATE	CKD	APPD
AMENDMENTS					



DES	A.TAYLOR	POWER STANDARD DRAWING			
DRN	A.TAYLOR	CABLE ACCESSORIES, CABLE CLEATS, HV AND LV (SHEET 2 OF 2)			
CKD	I.BASHIR				
APPD	B.CHEUNG				
SCALE	N.T.S.				
ISSUED	FEBRUARY 2015	A3	DRAWING NUMBER	S02-01-09-03_2	1
ALL DIM. IN	mm	CAD PRODUCT - DO NOT AMEND MANUALLY			
DRAFTING STANDARD TO A.S.1100					AMDT